



Self-contained ice maker - Sprayer system Daily production up to 23 kg

| | |
|---------------|----------------------|
| Hotel | ████████████████████ |
| Restaurant | ██████████████████ |
| Fast food | ██████████████ |
| Bar | ████████████████████ |
| Disco | ████████████████████ |
| Fish market | ██████████████████ |
| Supermarket | ██████████████████ |
| Medical & SPA | ██████████████████ |
| Industry | ██████████████ |

► Position n°



► Features & Plus

- Compact and crystal cube
- AISI 304 SS Scotch Brite finish
- Possible ABS finish
- Tropical class +43°C
- Cleanable antiscala filter
- Air or water cooling system
- Easy cleanable internal rounded surfaces
- HCFC-Free insulated storage
- RoHS Free
- Disappearing insulated door
- Electromechanical operation
- ON-OFF rocker switch
- Standard and special voltages
- Patented sprayer slide
- HFC Free
- Automatic Washing system



Possible ABS finish



Cleanable antiscala filter



Disappearing insulated door



Patented sprayer slide

► Available ice cube size



► Prod. 24h

| Air temp. | Water temp. | kg | lbs | | |
|-----------|-------------|-------|-------|-------|-------|
| | | | | 10° C | 50° F |
| 21° C | 70° F | 15° C | 60° F | 21 | 46 |

► Certifications available for this model



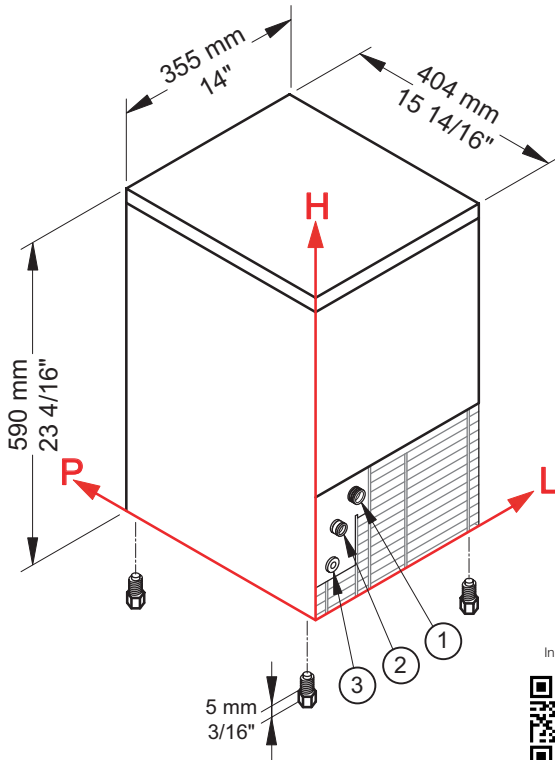


Ice Cube

CB 184 HC



Self-contained ice maker - Sprayer system Daily production up to 23 kg



► Working conditions

- Location: **Indoor**

| | Min | Max |
|----------------------|-----------------|-----------------|
| Ambient temperature | +10° C / +50° F | +43° C / 110° F |
| Water temperature | +3° C / +37° F | +32° C / +90° F |
| Voltage | -10% | +10% |
| Water inlet pressure | 1bar (14 psi) | 6bar (84 psi) |

► Performances

| | Air temperature | Water temperature | | | | | |
|--|-----------------|-------------------|--------|-------|--------|-------|--------|
| | | 7° C | 45° F | 15° C | 60° F | 21° C | 70° F |
| | 10° C | 23 kg | | | | | |
| | 50° F | | 51 lbs | | | | |
| | 21° C | | | 21 kg | | | |
| | 70° F | | | | 46 lbs | | |
| | 32° C | | | | | 16 kg | |
| | 90° F | | | | | | 35 lbs |

► Connections

All measures are referred to the rear bottom-left corner (L-H-Ø)

- ① Water in.: 88 mm / 3 7/16" - 184 mm / 7 4/16" - 3/4"
- ② Water out.: 45 mm / 1 12/16" - 138 mm / 5 7/16" - 24 mm / 15/16"
- ③ Electrical connections: 41 mm / 1 10/16" - 73 mm / 2 14/16"

► Technical information

| | | | |
|---------------------------|-------------------|----------------------------|---|
| Production in 24h | 21 kg / 46 lbs | Water consumption | A: 4 l/kg - 48 gal/100 lbs |
| Store capacity, up to | 4 kg / 9 lbs | | W: 25 l/kg - 300 gal/100 lbs |
| Cooling system | A - W | Sizes (L-P-H mm) | 355 - 404 - 590 |
| Kind of cube | D-13g | (L-P-H in) | 14 - 15 14/16 - 23 4/16 |
| Refrigerant | R290 | Sizes with pack (L-P-H mm) | 415 - 445 - 780 |
| Standard voltage | 220-240 V ~ 50 Hz | (L-P-H in) | 16 5/16 - 17 8/16 - 30 11/16 |
| Average power consumption | 260 W | Net weight | 27,5 kg / 61 lbs |
| Fuse | 10 A | Gross weight | 34 kg / 75 lbs |
| Electrical consumption | 35 kWh/100kg | Finish | AISI 304 stainless steel, scotch brite - ABS blue or grey |

All the technical information must be considered at the following conditions:

- Sizes without feet
- Standard Cube (13 g)
- Ambient temperature +21° C
- Water temperature +15° C
- Electrical consumption at +32° C (standard voltage)
- Average power consumption at +43° C (standard voltage)

Models and specifications are subject to change without notice

Rev. 01 - Issued April 2018



www.bremaice.it
info@bremaice.it

Bim + Data
download

