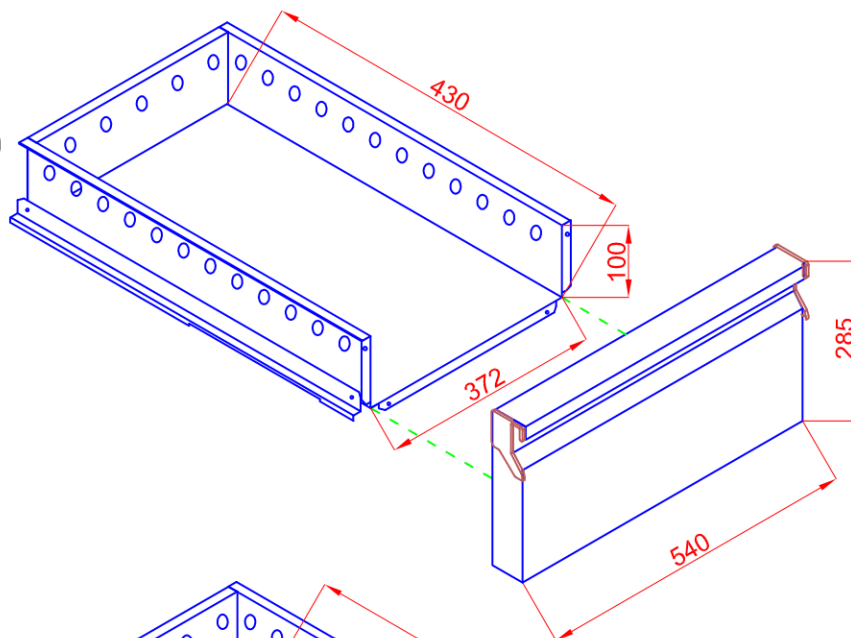
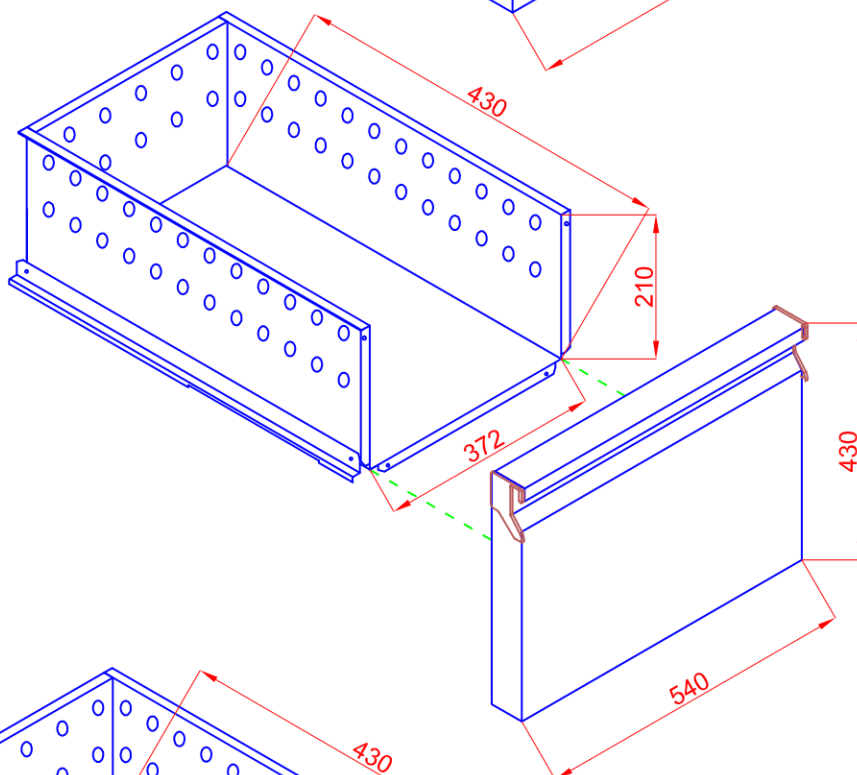


1/3 DRAWERS---KSN  
 OUTSIDE DIMENSIONS = 540x510x285  
 INSIDE DIMENSIONS = 372x430x100  
 USEFULL INSIDE DIMENSIONS = 372x430x150



1/2 DRAWERS---KSN  
 OUTSIDE DIMENSIONS = 540x510x430  
 INSIDE DIMENSIONS = 372x430x210  
 USEFULL INSIDE DIMENSIONS = 372x430x295



2/3 DRAWERS---KSN  
 OUTSIDE DIMENSIONS = 540x510x575  
 INSIDE DIMENSIONS = 372x430x210  
 USEFULL INSIDE DIMENSIONS = 372x430x440

