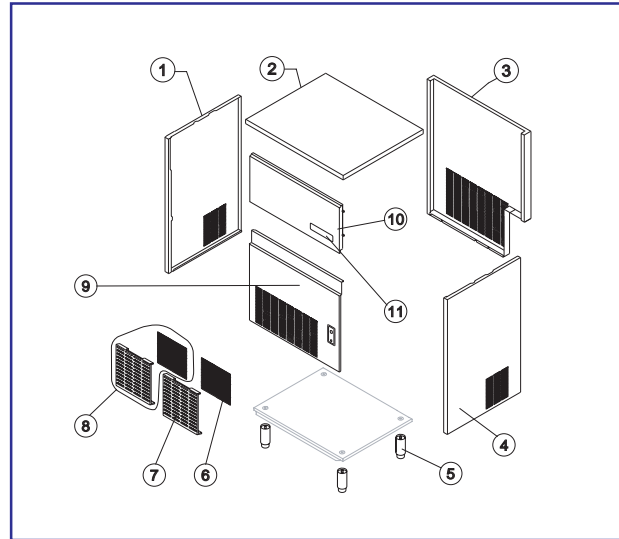
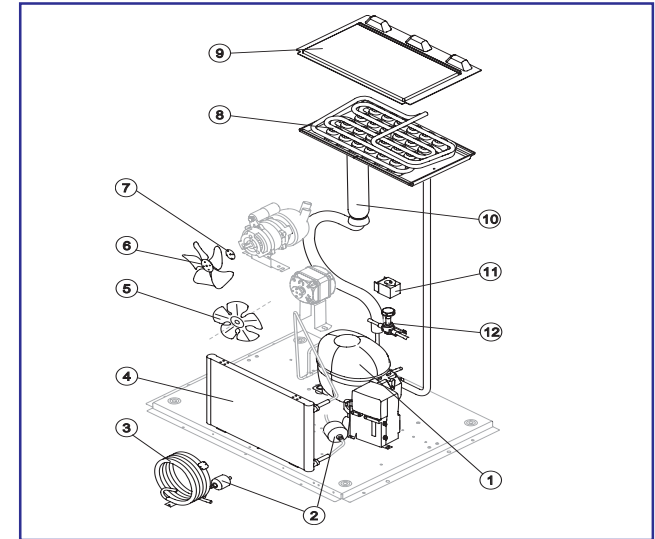


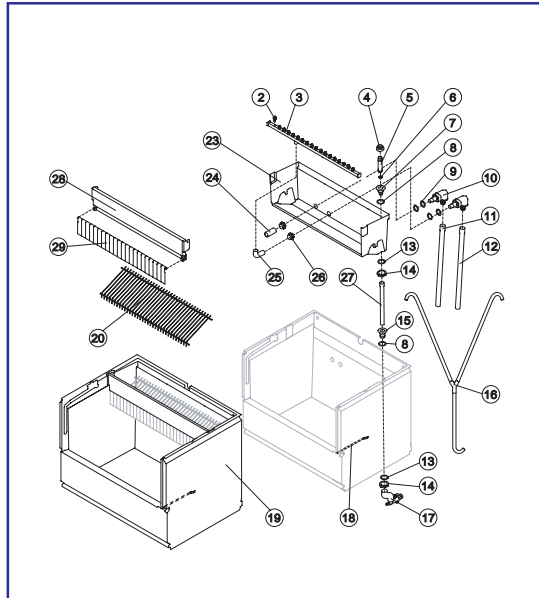
SHELL ASSY



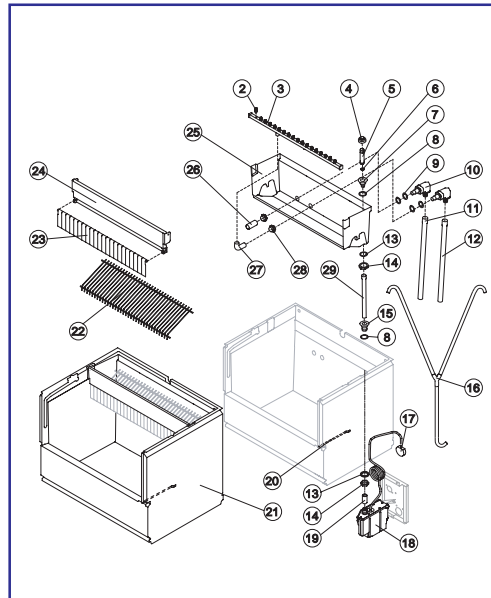
COOLING SYSTEM



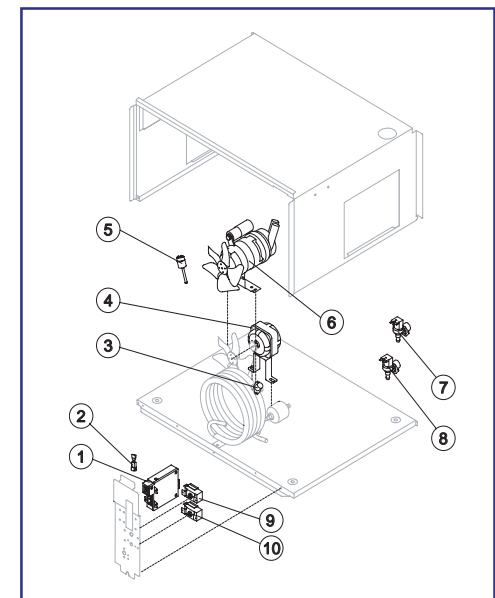
HYDRAULIC CIRCUIT SL140A/W



HYDRAULIC CIRCUIT SL140A DP



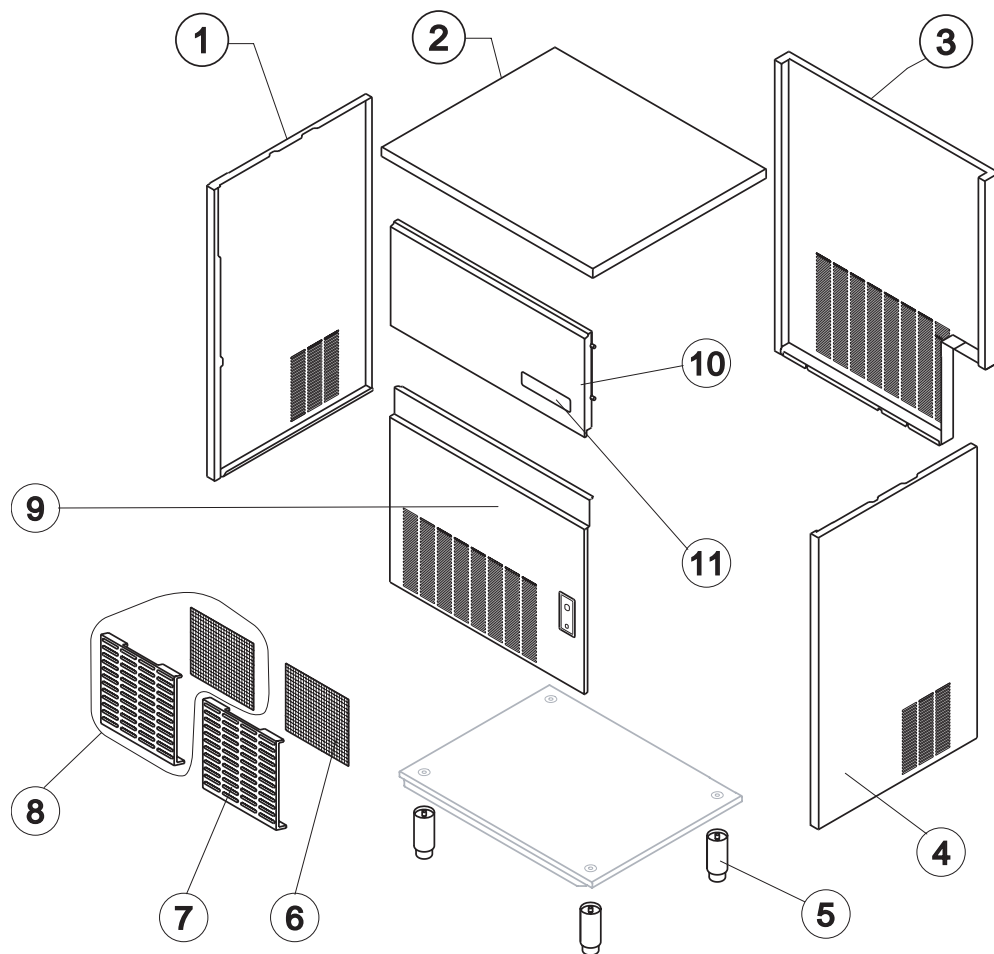
ELECTRIC PARTS



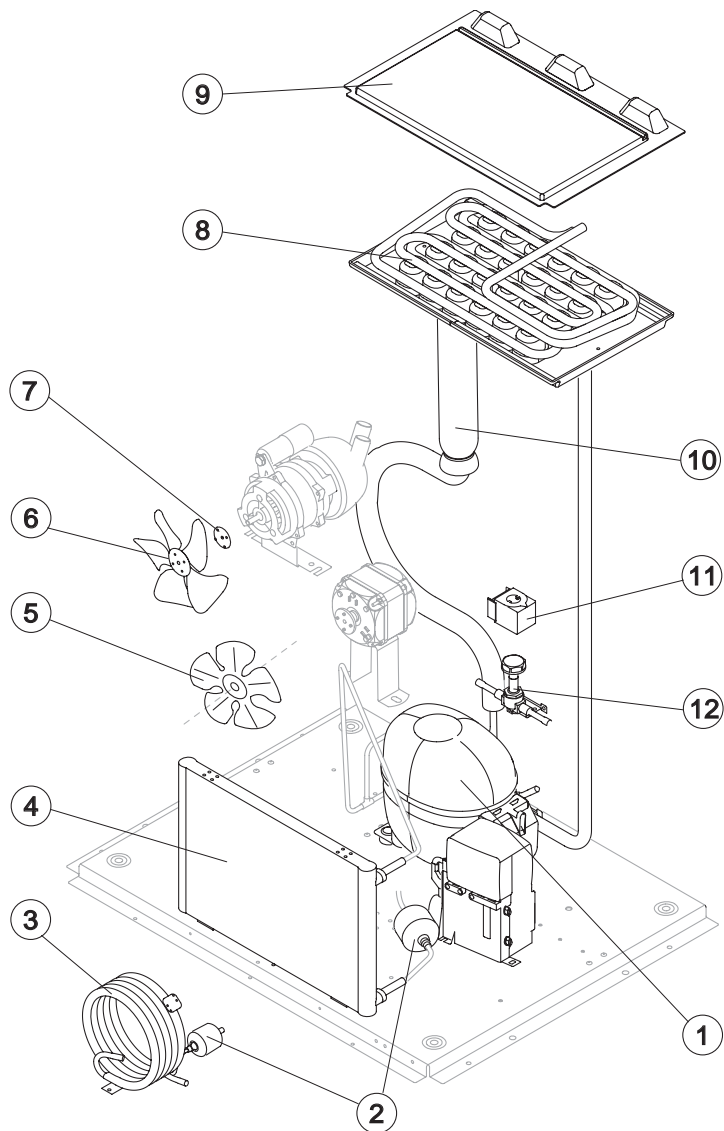
Rev. 00 - 18/01/2021



Rev. 00 - 18/01/2021



| Ref. | Spare Description | Code |
|------|----------------------|---------|
| 1 | Left Side Panel | C222010 |
| 2 | Top Assembly | 222008 |
| 3 | Grey Rear Side Panel | 21579 |
| 4 | Right Side Panel | C222011 |
| 5 | Adjustable Foot | 20613 |
| 6 | Filter | 18243 |
| 7 | Grid | 10697 |
| 8 | Grid Assembly | C10697 |
| 9 | Front Panel | C222013 |
| 10 | Door Assembly | C10362 |
| 11 | Resinated Logo | 241330 |



Common Parts

| Ref. | Spare Description | Code |
|------|------------------------|---|
| 1 | Compressor | 231252 |
| 2* | Solid Core Drier | 141003 |
| 6 | Sucking Fan | 10213 |
| 7 | Fan Fixing Hub | 10014 |
| 8 | Evaporator Assy | See Table |
| 9 | Evaporator Cover Panel | 10514 |
| 10 | Suction Line | for the spare parts code give us the s/n. |
| 11* | Hot Gas Valve Coil | 231294 |
| 12* | Hot Gas Valve Body | 201129 |

Parts for Air-Cooled Version Only

| Ref. | Spare Description | Code |
|------|-------------------|--------|
| 4 | Air Condenser | 201222 |
| 5 | Sucking Fan | 20962 |

Parts for Water-Cooled Version Only

| Ref. | Spare Description | Code |
|------|-------------------|-------|
| 3 | Water Condenser | 14374 |

Ref. 2 - Evaporator

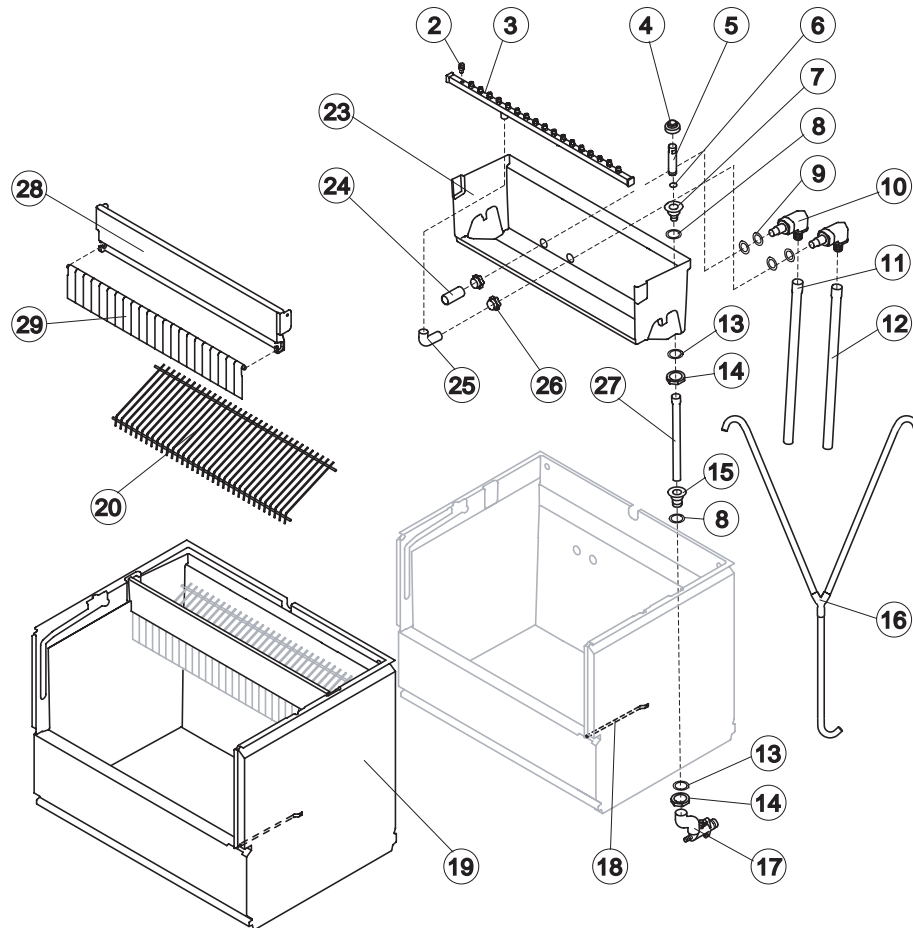
| Kind of Cube | Code |
|------------------|--------|
| 17 g. (Standard) | D10047 |
| 32 g. | D10090 |
| 14 g. | D10418 |
| 41 g. | D10480 |

SL 140 R290 R - 2020

HYDRAULIC CIRCUIT

SL 140A R290/ SL 140W R290

Rev. 00 - 18/01/2021



Common Parts

| Ref. | Spare Description | Code |
|------|---|-----------|
| 2 | Sprayer | D20002 |
| 3* | Sprayers Bar Assembly | See Table |
| 4* | Overflow Cap | 10305 |
| 5* | Overflow Pipe | 10133 |
| 6* | OR Gasket for Overflow Pipe | 20233 |
| 7 | Overflow Pipe Nipple | 10471 |
| 8 | Silicone Gasket | 13219 |
| 9 | Gasket for Pump Suction/Delivery Pipes | 13220 |
| 10 | Insulated Pump Suction/Delivery Fitting | C10653 |
| 11 | Insulated Pump Suction Pipe | C13175430 |
| 12 | Insulated Pump Delivery Pipe | C13175430 |
| 13 | Semirigid Polyethylene Gasket | 13007 |
| 14 | Bin Discharge Nut | 10096 |
| 15 | Water Outlet Nipple | 10472 |
| 16* | Water Supply Pipe to the Evaporator | C13125 |
| 18 | Bulbe-holder Pipe | 20521 |
| 19 | Complete Basin Assembly | C11259 |
| 20* | Ice Cubes Slide | See Table |
| 23 | Inner Basin | 10034 |
| 24 | Pump Suction Filter | 20005 |
| 25 | Sprayers Feeding Pipe | 13005 |
| 26 | Fittings Locking Ring | 10654 |
| 27* | Overflow Pipe | 13109 |
| 28 | Flags ABS Support | 10760 |
| 29 | Rod with Flags | 10775 |

Ref. 3* - Sprayers Bar Assembly

| Kind of Cube | Code |
|------------------|--------|
| 17 g. (Standard) | C20058 |
| 32 g. | C20156 |
| 14 g. | C20190 |
| 41 g. | C20802 |

Ref. 20* - Ice Cubes Slide

| Kind of Cube | Code |
|------------------|--------|
| 17 g. (Standard) | D12017 |
| 32 g. | D12031 |
| 14 g. | D12039 |
| 41 g. | D12071 |

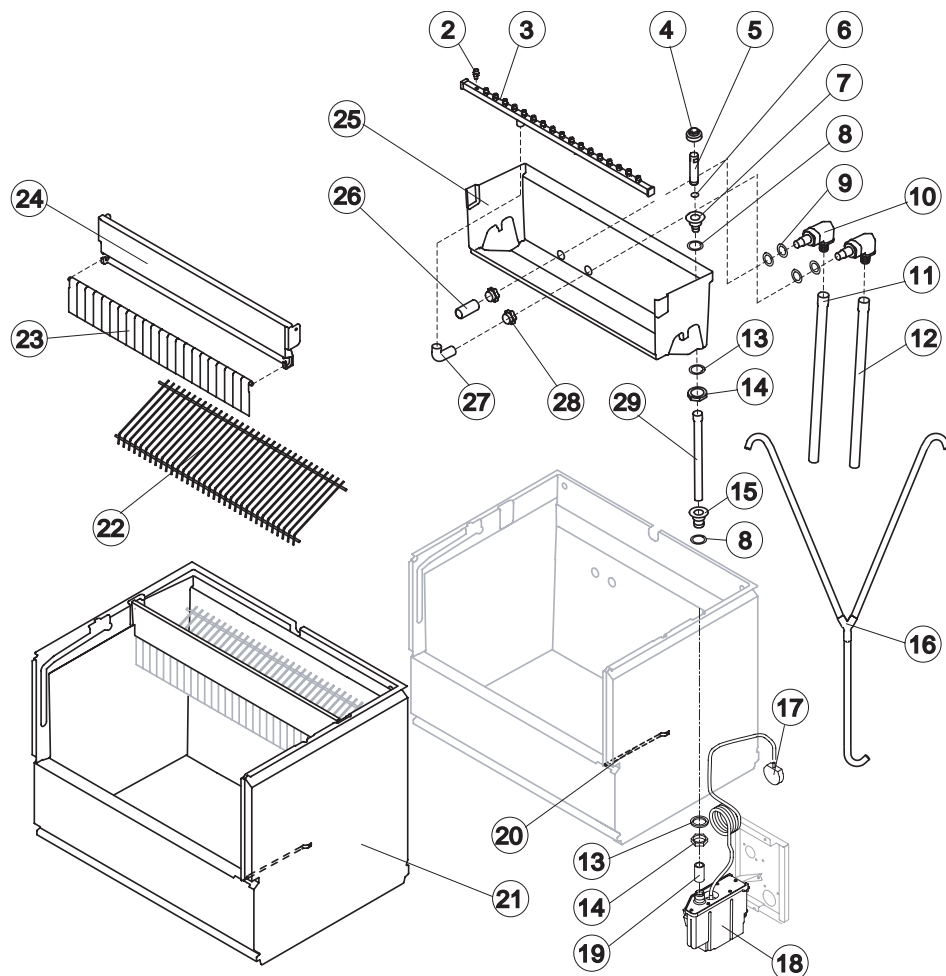
Parts for Air-Cooled Version Only

| Ref. | Spare Description | Code |
|------|---------------------|--------|
| 17 | Discharges Manifold | C10006 |

Parts for Water-Cooled Version Only

| Ref. | Spare Description | Code |
|------|---------------------|--------|
| 17 | Discharges Manifold | C26452 |

Rev. 00 - 18/01/2021



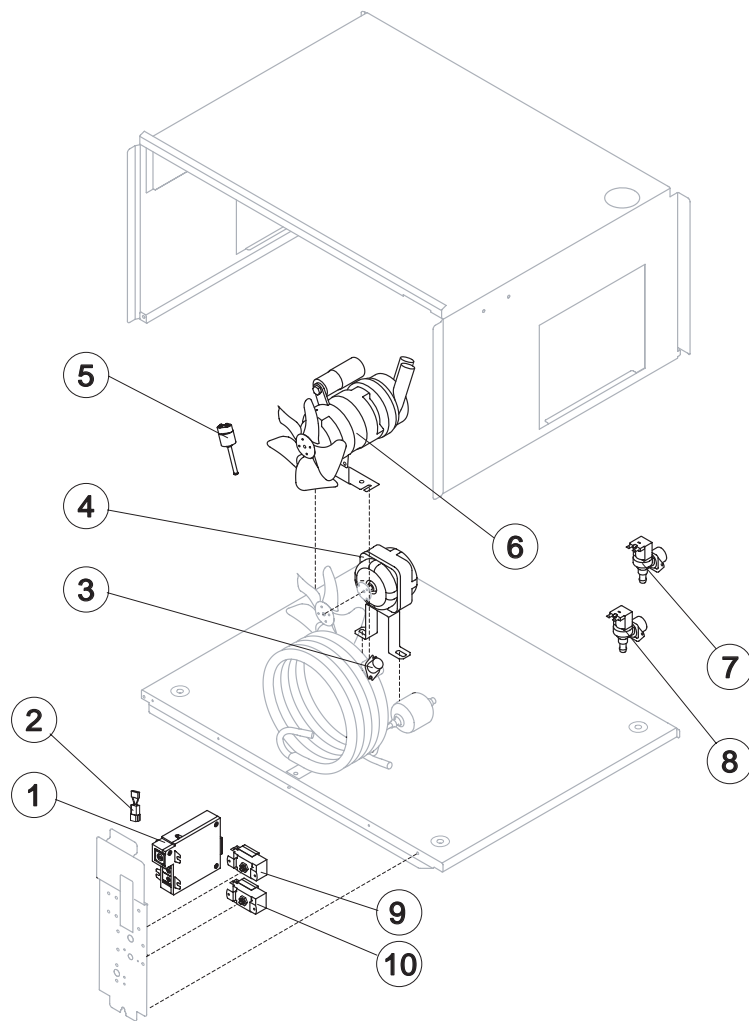
| Ref. | Spare Description | Code |
|------|---|-----------|
| 2 | Sprayer | D20002 |
| 3* | Sprayers Bar Assembly | See Table |
| 4* | Overflow Cap | 10305 |
| 5* | Overflow Pipe | 10133 |
| 6* | OR Gasket for Overflow Pipe | 20233 |
| 7 | Overflow Pipe Nipple | 10471 |
| 8 | Silicone Gasket | 13219 |
| 9 | Gasket for Pump Suction/Delivery Pipes | 13220 |
| 10 | Insulated Pump Suction/Delivery Fitting | C10653 |
| 11 | Insulated Pump Suction Pipe | C13175430 |
| 12 | Insulated Pump Delivery Pipe | C13175430 |
| 13 | Semirigid Polyethylene Gasket | 13007 |
| 14 | Bin Discharge Nut | 10096 |
| 15 | Water Outlet Nipple | 10472 |
| 16* | Water Supply Pipe to the Evaporator | C13125 |
| 17 | Drain Pump Pressure Switch | C231230 |
| 18 | Drain Pump | RC231225 |
| 19 | Bin Discharge-Drain Pump Connection | C13175130 |
| 20 | Bulbe-holder Pipe | 20521 |
| 21 | Complete Basin Assembly | C11259 |
| 22* | Ice Cubes Slide | See Table |
| 23 | Rod with Flags | 10775 |
| 24 | Flags ABS Support | 10760 |
| 25 | Inner Basin | 10034 |
| 26 | Pump Suction Filter | 20005 |
| 27 | Sprayers Feeding Pipe | 13005 |
| 28 | Fittings Locking Ring | 10654 |
| 29* | Overflow Pipe | 13109 |

Ref. 3* - Sprayers Bar Assembly

| Kind of Cube | Code |
|------------------|--------|
| 17 g. (Standard) | C20058 |
| 14 g. | C20190 |

Ref. 22* - Ice Cubes Slide

| Kind of Cube | Code |
|------------------|--------|
| 17 g. (Standard) | D12017 |
| 14 g. | D12039 |



Common Parts

| Ref. | Spare Description | Code |
|------|---|---------|
| 1* | Electronic Timer / On-Off (AWS) | R231154 |
| 6* | Pump Assembly | RC23377 |
| 8* | 1 Way- Water Inlet Valve (evaporator inlet) | 23001 |
| 9* | Bin Thermostat | 23005 |
| 10* | Evaporator Thermostat | 23591 |

Parts for Air-Cooled Version Only

| Ref. | Spare Description | Code |
|------|---|--------|
| 2 | Anti Radio Interference Filter Only 220V 50 Hz | C23459 |
| 4* | Fan Motor | 23067 |
| 5* | Condenser Pressure Switch | 231351 |

Parts for Water-Cooled Version Only

| Ref. | Spare Description | Code |
|------|---|--------|
| 2 | Anti Radio Interference Filter Only 220V 50 Hz | C23457 |
| 3* | Safety Thermostat | C23114 |
| 5* | Condenser Pressure Switch | 231352 |
| 7* | 1 Way- Water Inlet Valve (condenser water inlet) | 23001 |