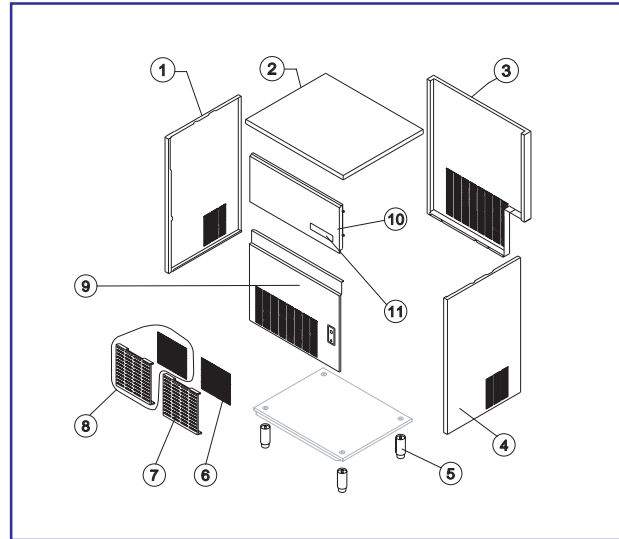


SL 260 R290 R - 2020 LIST OF THE EXPLODED VIEWS

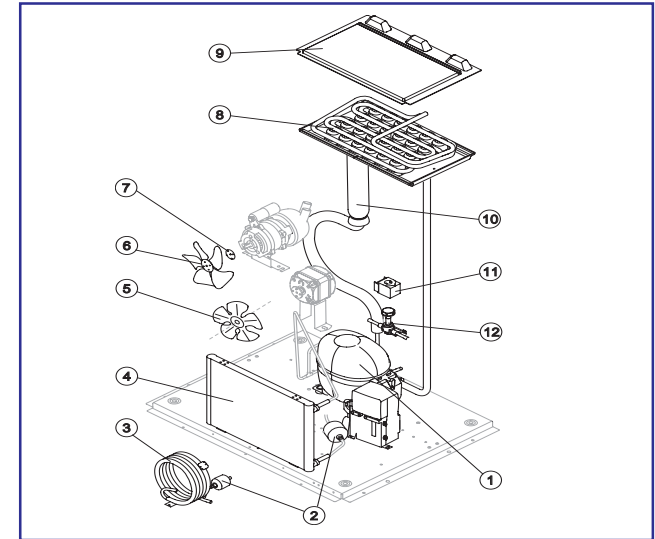
Rev. 00 - 18/01/2021



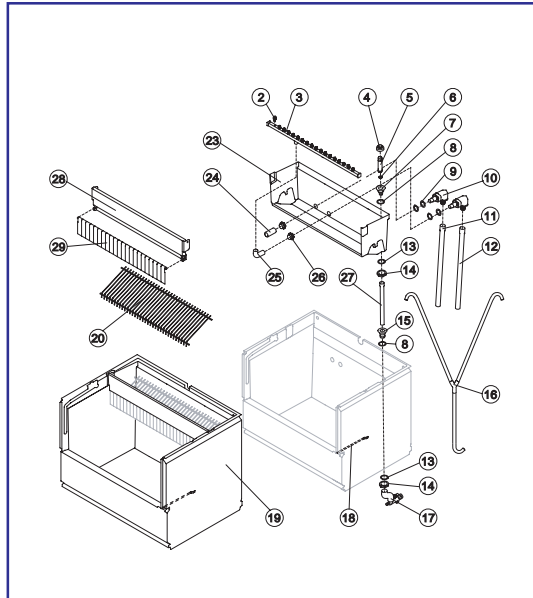
SHELL ASSY



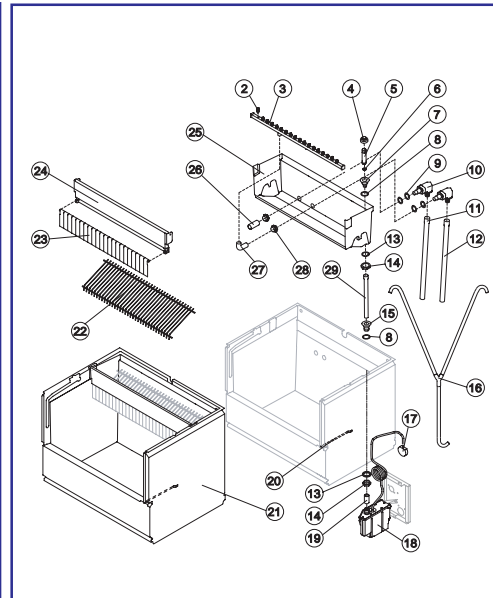
COOLING SYSTEM



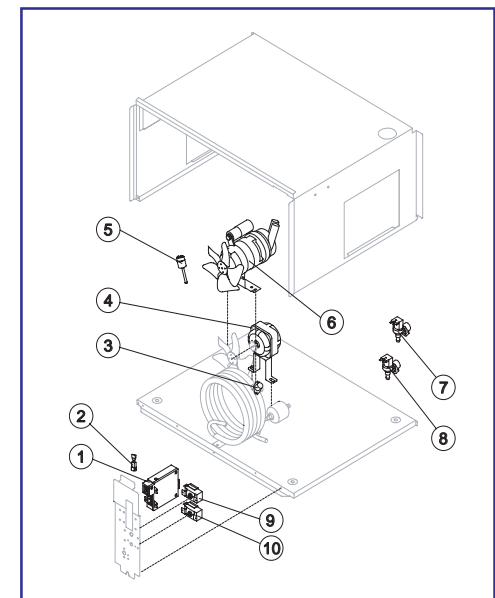
HYDRAULIC CIRCUIT SL260A/W



HYDRAULIC CIRCUIT SL260A DP



ELECTRIC PARTS

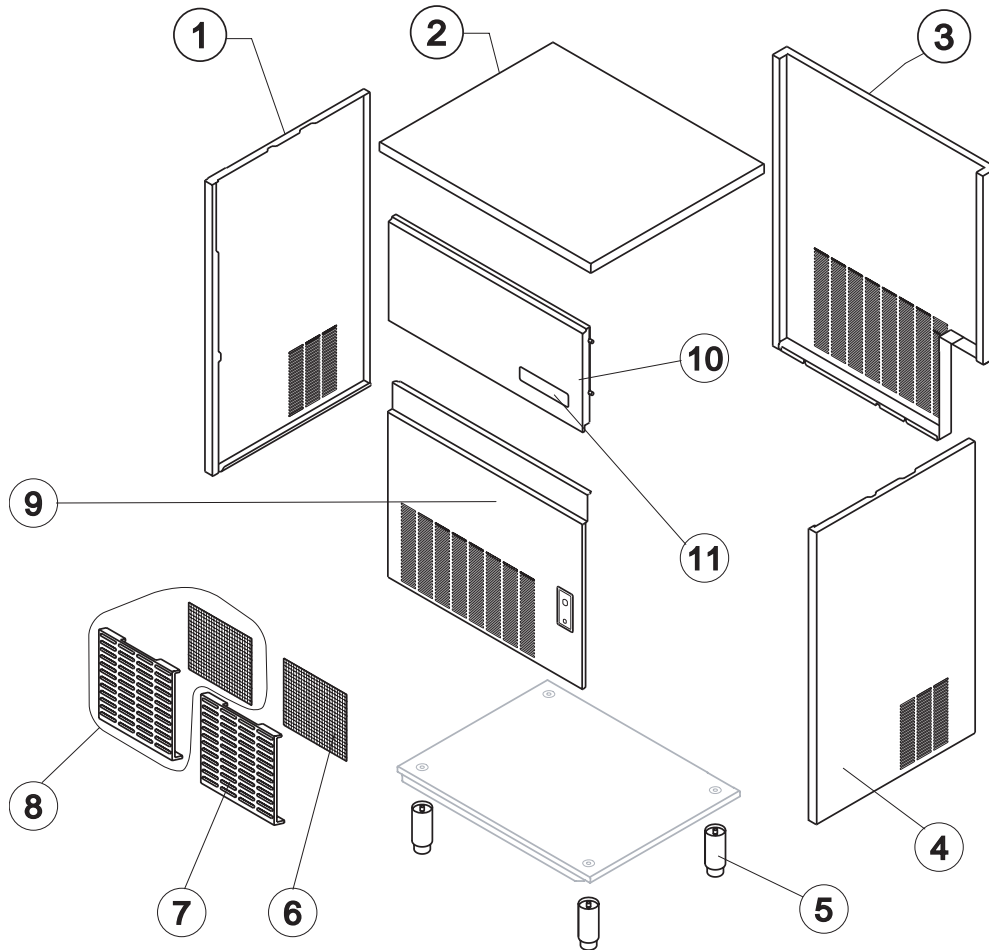


SL 260 R290 R - 2020

SHELL ASSY

SL 260A R290/ SL 260W R290/ SL 260A R290 DP

Rev. 00 - 18/01/2021



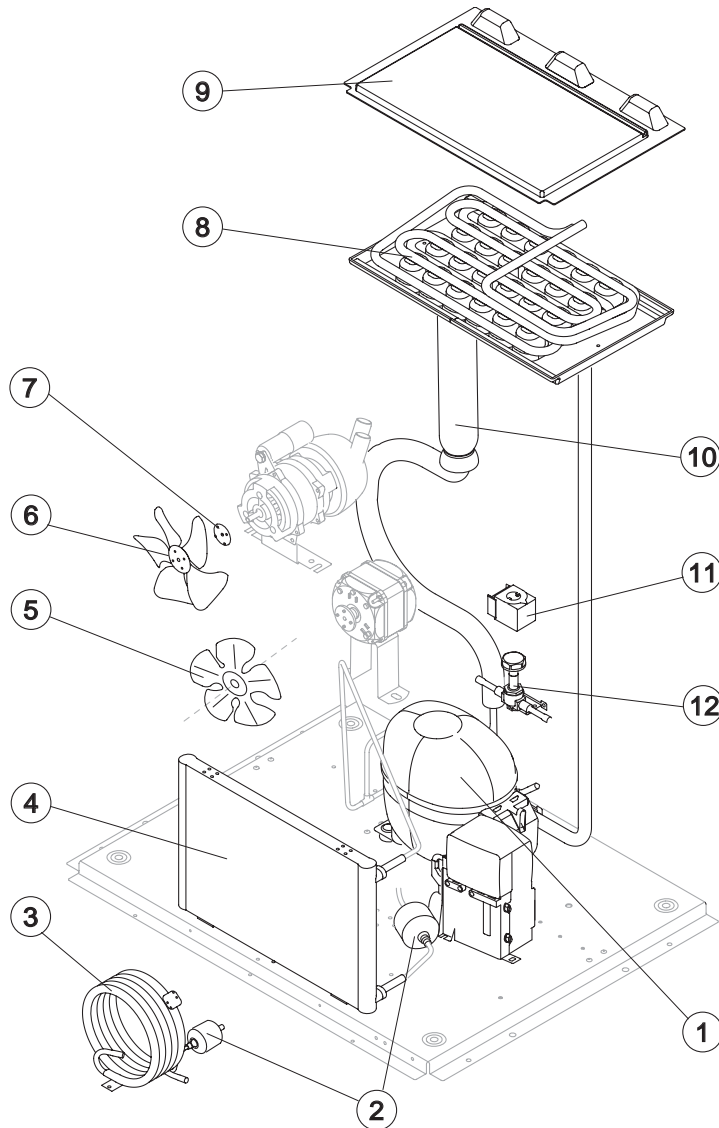
Ref.	Spare Description	Code
1	Left Side Panel	C222037
2	Top Assembly	222008
3	Grey Rear Side Panel	21581
4	Right Side Panel	C222038
5	Adjustable Foot	20613
6	Filter	18243
7	Grid	10697
8	Grid Assembly	C10697
9	Front Panel	C222040
10	Door Assembly	C10362
11	Resinated Logo	241330

SL 260 R290 R - 2020

COOLING SYSTEM

SL 260A R290/ SL 260W R290/ SL 260A R290 DP

Rev. 00 - 18/01/2021



Common Parts

Ref.	Spare Description	Code
1	Compressor	231196
2*	Solid Core Drier	141003
6	Sucking Fan	10213
7	Fan Fixing Hub	10014
8	Evaporator Assy	See Table
9	Evaporator Cover Panel	10514
10	Suction Line	for the spare parts code give us the s/n.
11*	Hot Gas Valve Coil	231294
12*	Hot Gas Valve Body	201129

Parts for Air-Cooled Version Only

Ref.	Spare Description	Code
4	Air Condenser	201223
5	Sucking Fan	20153

Parts for Water-Cooled Version Only

Ref.	Spare Description	Code
3	Water Condenser	14374

Ref. 2 - Evaporator

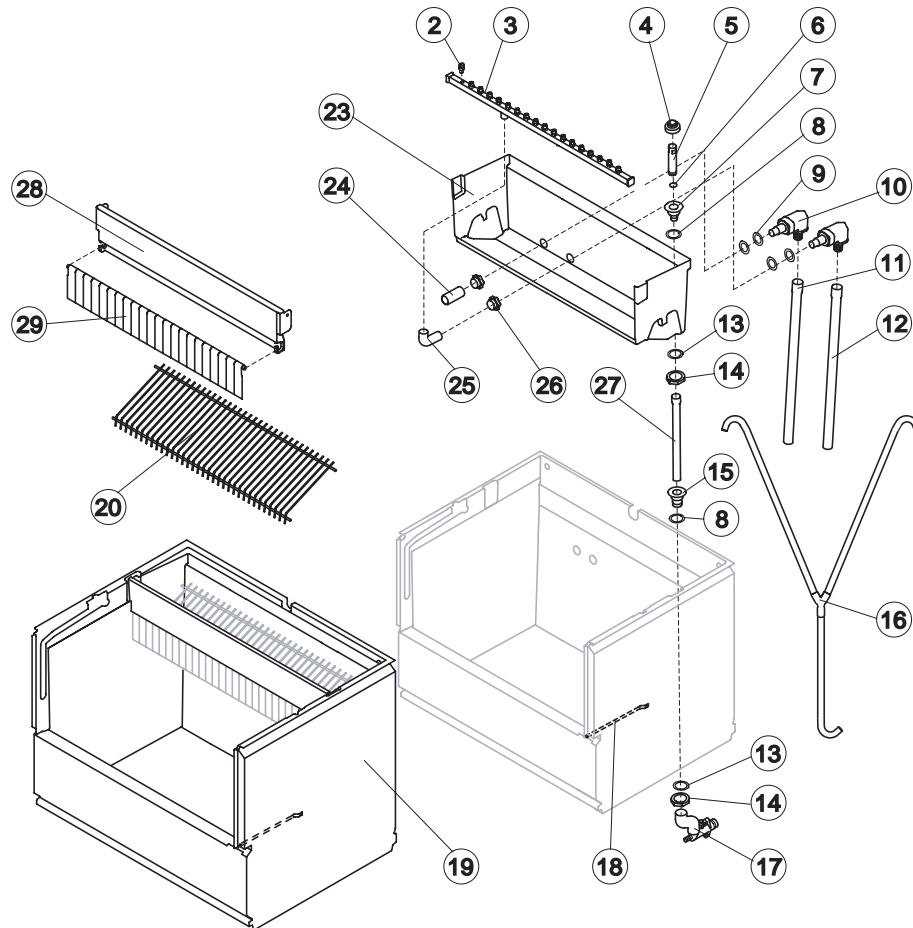
Kind of Cube	Code
17 g. (Standard)	D10047
32 g.	D10090
14 g.	D10418
41 g.	D10480

SL 260 R290 R - 2020

HYDRAULIC CIRCUIT

SL 260A R290/ SL 260W R290

Rev. 00 - 18/01/2021



Common Parts

Ref.	Spare Description	Code
2	Sprayer	D20002
3*	Sprayers Bar Assembly	See Table
4*	Overflow Cap	10305
5*	Overflow Pipe	10133
6*	OR Gasket for Overflow Pipe	20233
7	Overflow Pipe Nipple	10471
8	Silicone Gasket	13219
9	Gasket for Pump Suction/Delivery Pipes	13220
10	Insulated Pump Suction/Delivery Fitting	C10653
11	Insulated Pump Suction Pipe	C13175600
12	Insulated Pump Delivery Pipe	C13175600
13	Semirigid Polyethylene Gasket	13007
14	Bin Discharge Nut	10096
15	Water Outlet Nipple	10472
16*	Water Supply Pipe to the Evaporator	C13183
18	Bulbe-holder Pipe	20521
19	Complete Basin Assembly	C11260
20*	Ice Cubes Slide	See Table
23	Inner Basin	10034
24	Pump Suction Filter	20005
25	Sprayers Feeding Pipe	13005
26	Fittings Locking Ring	10654
27*	Overflow Pipe	13110
28	Flags ABS Support	10760
29	Rod with Flags	10775

Ref. 3* - Sprayers Bar Assembly

Kind of Cube	Code
17 g. (Standard)	C20058
32 g.	C20156
14 g.	C20190
41 g.	C20802

Ref. 20* - Ice Cubes Slide

Kind of Cube	Code
17 g. (Standard)	D12017
32 g.	D12031
14 g.	D12039
41 g.	D12071

Parts for Air-Cooled Version Only

Ref.	Spare Description	Code
17	Discharges Manifold	C10006

Parts for Water-Cooled Version Only

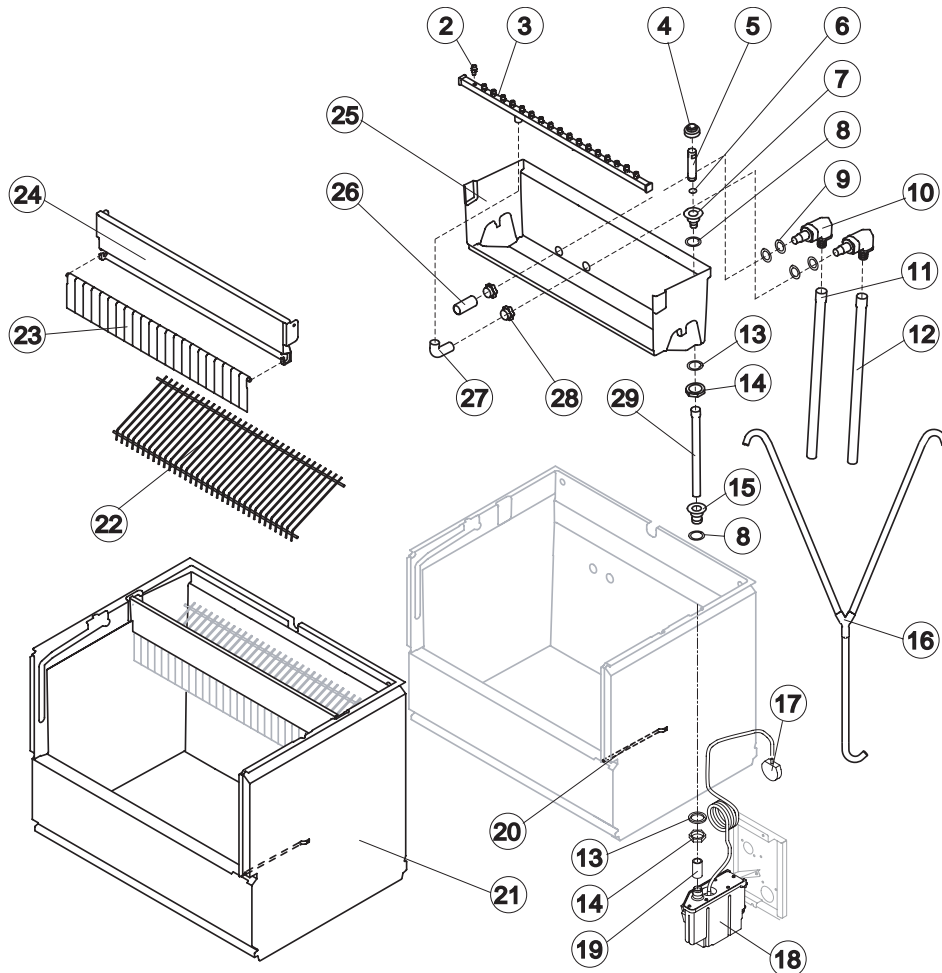
Ref.	Spare Description	Code
17	Discharges Manifold	C26452

SL 260 R290 R - 2020

HYDRAULIC CIRCUIT

SL 260A R290 DP

Rev. 00 - 18/01/2021



Ref.	Spare Description	Code
2	Sprayer	D20002
3*	Sprayers Bar Assembly	See Table
4*	Overflow Cap	10305
5*	Overflow Pipe	10133
6*	OR Gasket for Overflow Pipe	20233
7	Overflow Pipe Nipple	10471
8	Silicone Gasket	13219
9	Gasket for Pump Suction/Delivery Pipes	13220
10	Insulated Pump Suction/Delivery Fitting	C10653
11	Insulated Pump Suction Pipe	C13175600
12	Insulated Pump Delivery Pipe	C13175600
13	Semirigid Polyethylene Gasket	13007
14	Bin Discharge Nut	10096
15	Water Outlet Nipple	10472
16*	Water Supply Pipe to the Evaporator	C13183
17	Drain Pump Pressure Switch	C231230
18	Drain Pump	RC231225
19	Bin Discharge-Drain Pump Connection	C13175190
20	Bulbe-holder Pipe	20521
21	Complete Basin Assembly	C11260
22*	Ice Cubes Slide	See Table
23	Rod with Flags	10775
24	Flags ABS Support	10760
25	Inner Basin	10034
26	Pump Suction Filter	20005
27	Sprayers Feeding Pipe	13005
28	Fittings Locking Ring	10654
29*	Overflow Pipe	13110

Ref. 3* - Sprayers Bar Assembly

Kind of Cube	Code
17 g. (Standard)	C20058
14 g.	C20190

Ref. 22* - Ice Cubes Slide

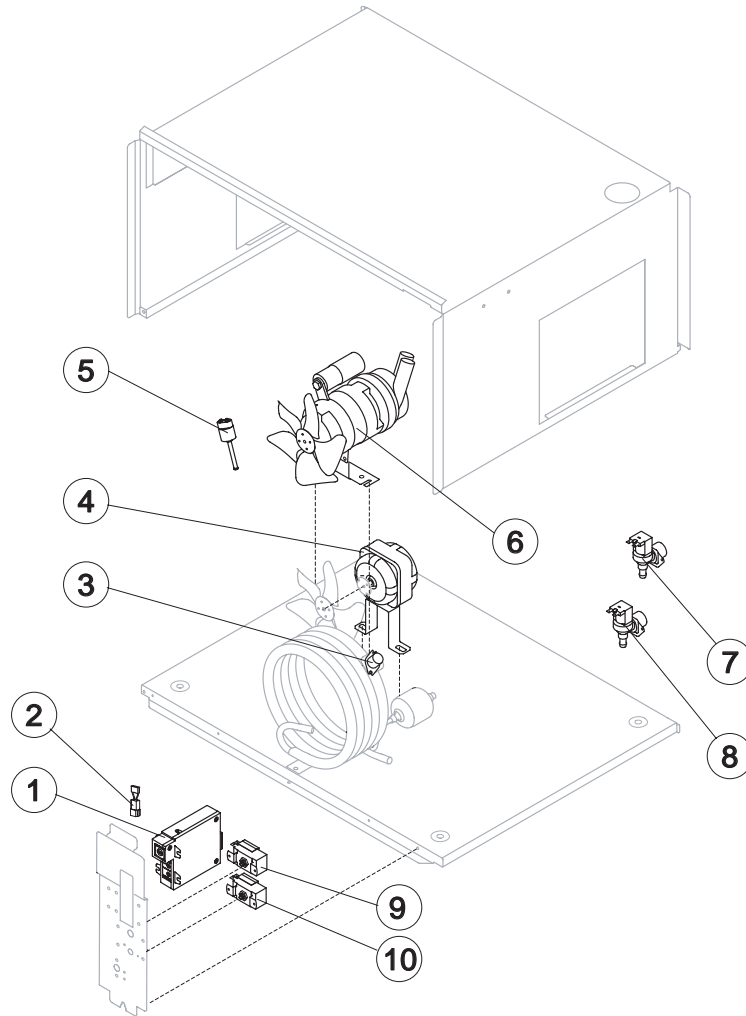
Kind of Cube	Code
17 g. (Standard)	D12017
14 g.	D12039

SL 260 R290 R - 2020

ELECTRIC PARTS

SL 260A R290/ SL 260W R290/ SL 260A R290 DP

Rev. 00 - 18/01/2021



Common Parts

Ref.	Spare Description	Code
1*	Electronic Timer / On-Off (AWS)	R231154
5*	Condenser Pressure Switch	231350
6*	Pump Assembly	RC23377
8*	1 Way- Water Inlet Valve (evaporator inlet)	23001
9*	Bin Thermostat	23005
10*	Evaporator Thermostat	23591

Parts for Air-Cooled Version Only

Ref.	Spare Description	Code	
2	Anti Radio Interference Filter	Only 220V 50 Hz	C23459
4*	Fan Motor		23067

Parts for Water-Cooled Version Only

Ref.	Spare Description	Code	
2	Anti Radio Interference Filter	Only 220V 50 Hz	C23457
3*	Safety Thermostat		C23114
7*	1 Way- Water Inlet Valve (condenser water inlet)		23001