



7489.5140

Onderdelen informatie

Erzatsteil information

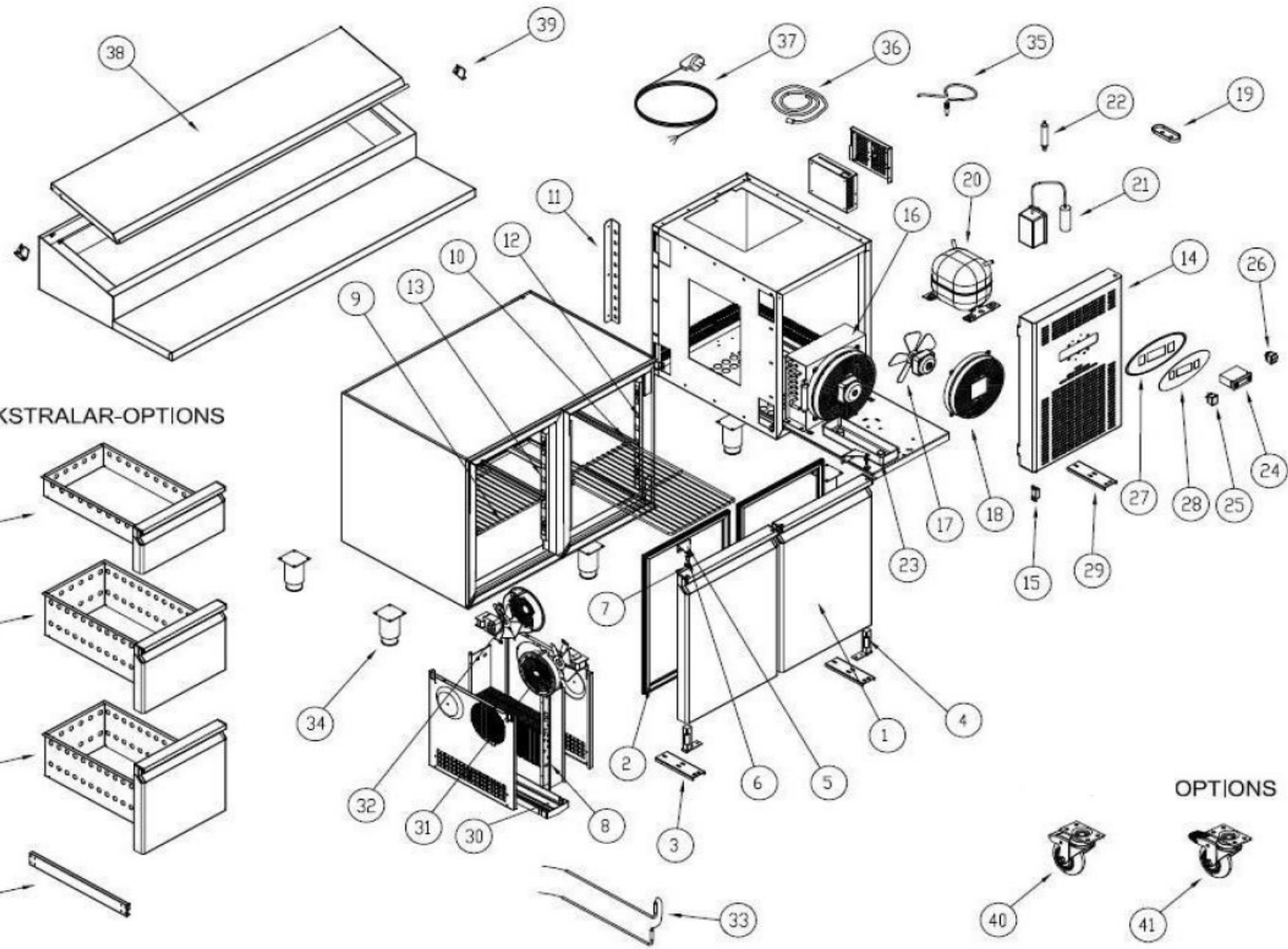
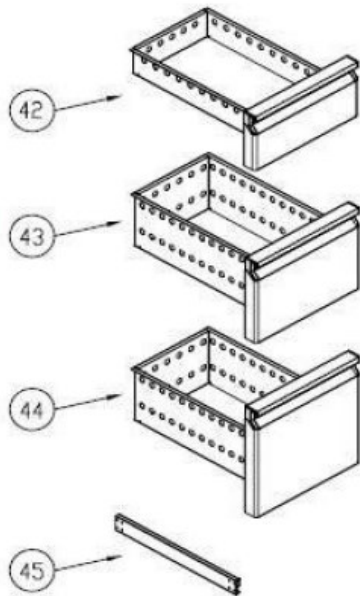
Spare part information

Information de pièces

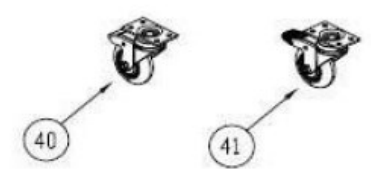


AFTER-01.06.2013

EKSTRALAR-OPTIONS



OPTIONS



NO	Art.No.:	MATERIAL NAME	ADET QTY
1		DOOR	2
2	9113.0035	DOOR GASKET	2
3		LOVER HINGE BRACET	2
4	9113.1260	UPRIGHT HINGE AND PARTS	2
5		UPPER HINGE	2
6		UPPER HINGE PIM	2
7		HINGE PLASTIC	2
8	9113.0250	EVAPOROTOR	1
9		SHELF-CGN 530X333	2
10		SHELF GUIDE - CGN 530m	4
11		SHELF RACKET - BACK	2
12		SHELF RACKET - SIDE	4
13		SHELF RACKET - MIDDLE	2
14		CANOPY	1
15		MAGNET HINGES	2
16	9113.1765	1/4 Hp CONDANSER	1
17	9113.1525	10W-FAN MOTOR	1
18	9113.0230	CONDANSER FAN PLASTIC	1
19		PROP COVER	1
20	9113.0690	COMPRESSOR--4425	1
21		4425-ROLE BOX	1
22		DRAYER	1
23		WATER BOX	1
24		DIGITAL THERMOSTAT TWO PROPE(DIXELL)	1
24		DIGITAL THERMOSTAT TWO PROPE (EVCO)	1
24		MOTHERBOARD (DIXELL)	1
24		MOTHERBOARD FRONT PANEL (DIXELL)	1
24		MOTHERBOARD (ELIWELL)	1
24		MOTHERBOARD FRONT PANEL (ELIWELL)	1
25	9113.0675	POWER SWITCH	1
26	9113.0680	ON - OFF SWITCH	1
27		PLASTIC COVER	1
28		DIGITAL LABEL	1
29		CANOPY HINGE	1
30		EVAPOROTOR CUP	1
31	9113.0225	PLASTIC FAN PROTECTION	2
32	9113.0310	EVAP FAN MOTOR	2
33	9113.1045	200W RESISTANCE	1
34		STAINLESS STEEL LEG	5
35	9113.0150	PROP	1
36		PROP	1
37		PLUG CABLE	1
38		MGN2 COVER	1
39		MAKE-UP HINGE	2
40	9113.0615	WHEELS	3
41	9113.0620	WHEELS BRAKE	2

42		1/3 DRAWERS	6
43		1/2 DRAWERS	4
44		2/3 DRAWERS	2
45	9113.0010	DRAWER RAIL	
	9113.1665	COUNTER REF EVAP GROUP 2 DOORS	1