



7492.0090

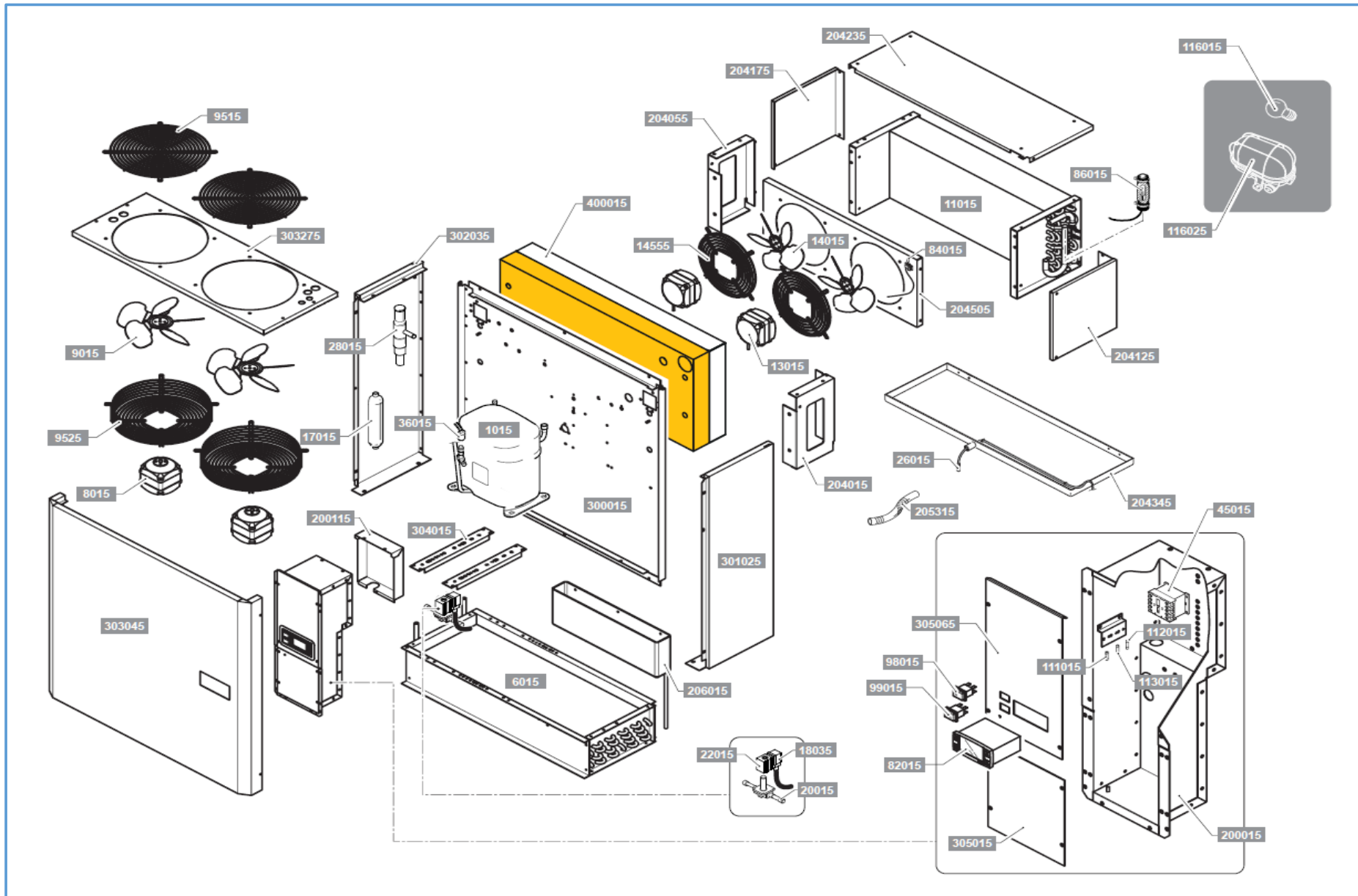
Onderdelen informatie

Erzatzteil information

Spare part information

Information de pièces





Onderdelenlijst 7492.0090

POS:	Art.No.:	Omschrijving:	Aantal:
1015	9390.2275	Compressor	
6015	9806.0007	Condenser	
8015	9806.0028	Condenser fan motor	
9015	9806.0046	Condenser fan	
9515	9806.0022	Condenser fan grid	
9525	9806.0023	Condenser fan motor bearing grid	
11015	9806.0011	Evaporator	
13015	9806.0029	Evaporator fan motor	
14015	9806.0047	Evaporator fan	
14555	9806.0021	Evaporator fan motor bearing grid	
17015	9806.0013	Gas filter	
18035	9806.0009	Solenoid valve terminal	
20015	9806.0045	Defrost solenoid valve	
22015	9806.0002	Solenoid valve coil	
26015	9806.0037	Drain heater	
45015	9806.0042	Compressor contactor	
82015		Electronic control instrument	
84015	9806.0038	Room temperature probe	
86015	9806.0038	Evaporator temperature probe	
98015	9806.0024	Auxiliary circuit main switch	
99015	9806.0026	Room light switch	
111015	9806.0015	Auxiliary circuit fuse	
112015	9806.0016	Room light fuse	
116015	9806.0027	Lamp	
116025	9806.0032	Lamp holder	
204015	9806.0084	Evaporator left holder	
204055	9806.0085	Evaporator right holder	
204125	9806.0086	Evaporator left side panel	
204175	9806.0087	Evaporator right side panel	
204235	9806.0068	Evaporator cover	
204345	9806.0070	Evaporator plastic drain tray	
204505	9806.0069	Evaporator fan holder	
205315	9806.0041	Evaporator drain pipe (each metre)	
206015	9806.0048	Condensate evaporation tray	
300015	9806.0066	Condensing section back	
301025	9806.0089	Condensing section right side panel	
302035	9806.0088	Condensing section left side panel	
303045	9806.0065	Condensing section front cover	
303275	9806.0067	Condensing section cover/ fan holder	
304015	9806.0090	Compressor holder	
400015		Insulating panel	