



Stainless Steel Counter Top Servery/Prep Refrigerators

Instruction manual



(EN)	<u>Stainless Steel Counter Top Servery/Prep Refrigerators</u>	2	(DE)	<u>Edelstahl-Tischkühlgeräte zum Servieren</u>	20
	<u>Instruction manual</u>			<u>Bedienungsanleitung</u>	
(NL)	<u>RVS opzetvitrine / bereidingsvitrine met keeling</u>	8	(IT)	<u>Banchi refrigeratori per preparazione / servizio con piano di lavoro in acciaio inossidabile</u>	26
	<u>Handleiding</u>			<u>Manuale di istruzioni</u>	
(FR)	<u>Plan de travail de comptoir de distribution / de préparation inox réfrigéré</u>	14	(ES)	<u>Frigoríficos para preparados / aperitivos de mostrador de acero inoxidable</u>	32
	<u>Mode d'emploi</u>			<u>Manual de instrucciones</u>	

**Model • Model • Modèle • Modell • Modello • Modelo:
G608/G609/G610/G611/GD875/GD876/GD877/GD878**

Safety Instructions

- Position on a flat, stable surface.
- A service agent/qualified technician should carry out installation and any repairs if required. Do not remove any components or service panels on this product.
- Consult Local and National Standards to comply with the following:
 - Health and Safety at Work Legislation
 - BS EN Codes of Practice
 - Fire Precautions
 - IEE Wiring Regulations
 - Building Regulations
- DO NOT use jet/pressure washers to clean the appliance.
- DO NOT use the appliance outside.
- DO NOT use this appliance to store medical supplies.
- Always carry, store and handle the appliance in a vertical position and move by holding the base of the appliance.
- Always switch off and disconnect the power supply to the unit before cleaning.
- Keep all packaging away from children. Dispose of the packaging in accordance with the regulations of local authorities.
- If the power cord is damaged, it must be replaced by a POLAR agent or a recommended qualified technician in order to avoid a hazard.
- This appliance is not intended for use by persons (including children) with reduced physical, sensory or mental capabilities, or lack of experience or knowledge, unless they have been given supervision or instruction concerning the use of the appliance by a person responsible for their safety.
- Polar recommend that this appliance should be periodically tested (at least annually) by a Competent Person. Testing should include, but not be limited to: Visual Inspection, Polarity Test, Earth Continuity, Insulation Continuity and Functional Testing.

- POLAR recommend that this product is connected to a circuit protected by an appropriate RCD (Residual Current Device).

Caution: Risk of Fire

- Do not store explosive substances such as aerosol cans with a flammable propellant in this appliance.



Warning: Keep all ventilation openings clear of obstruction. Unit should not be boxed in without adequate ventilation.

- **Warning:** Do not use mechanical devices or other means to accelerate the defrosting process, other than those recommended by the manufacturer.
- **Warning:** Do not damage the refrigerant circuit.
- **Warning:** Do not use electrical appliances inside the food storage compartments of the appliance.

Product Description

G608 -POLAR 5 x 1/4 GN Container Refrigerated Counter Top/Servery Prep
 G609 -POLAR 7 x 1/4 GN Container Refrigerated Counter Top/Servery Prep
 G610 -POLAR 8 x 1/4 GN Container Refrigerated Counter Top/Servery Prep
 G611 -POLAR 10 x 1/4 GN Container Refrigerated Counter Top/Servery Prep
 GD875 -POLAR 3 x 1/3 + 1 x 1/2 GN Container Refrigerated Counter Top/Servery Prep
 GD876 -POLAR 5 x 1/3 + 1 x 1/2 GN Container Refrigerated Counter Top/Servery Prep
 GD877 -POLAR 8 x 1/3 GN Container Refrigerated Counter Top/Servery Prep
 GD878 -POLAR 9 x 1/3 GN Container Refrigerated Counter Top/Servery Prep

Introduction

Please take a few moments to carefully read through this manual. Correct maintenance and operation of this machine will provide the best possible performance from your POLAR product.

Pack Contents

- | | |
|-------------------------|-------------------------|
| • POLAR Refrigerator | • Brackets x 7 |
| • Top glass panel | • Grub screws x 7 |
| • Rear glass panel | • Screws x 12 |
| • Side glass panels x 2 | • Plugs x 14 |
| • Instruction manual | • Gastranorm spacer bar |
| • Collars x 6 | • Adjustable feet x 4 |

POLAR prides itself on quality and service, ensuring that at the time of unpacking the contents are supplied fully functional and free of damage.

Should you find any damage as a result of transit, please contact your POLAR dealer immediately.

Installation



Not for use in vans or trailers, food trucks or similar vehicles.
Note: If the unit has not been stored or moved in an upright position, let it stand upright for approximately 12 hours before operation. If in doubt allow to stand.

1. Remove the appliance from the packaging. Make sure that all protective plastic film and coatings are thoroughly removed from all surfaces.
2. To optimize performance and longevity, ensure a minimum clearance of 2.5cm is maintained between the unit and walls and other objects, with a minimum 20cm clearance on the top.
NEVER LOCATE NEXT TO A HEAT SOURCE.



Note: Before using the appliance for the first time, clean the shelves and interior with soapy water then dry well.

- Level the appliance by adjusting the screw feet.

Fit Glass Panels

1. Screw the collars to the rim of the appliance.



Note: Ensure the hole in the collar for the grub screw faces inwards.

2. Slot the two side panels into the collars, with the holes in the glass at the top.



Note: Ensure the screw hole furthest from the edge of the panel goes to the back of the appliance.

3. Screw a grub screw into each collar to secure the panels.



Note: Ensure the soft end of the grub screw is the end making contact with the glass.

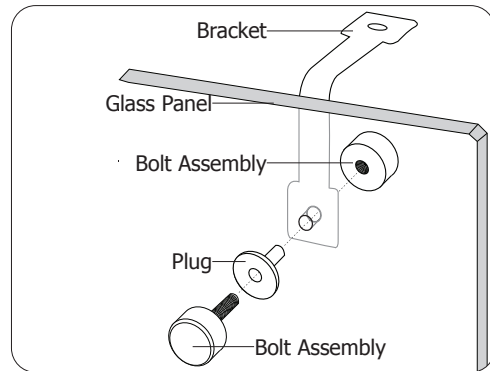


Do not overtighten the grub screws as it will result in the glass breaking.

4. Slot the rear panel into the collars, with the holes in the glass at the top.
5. Screw a grub screw into each collar to secure the panel.
6. Slot the plastic plugs into each of the holes.
7. Screw the brackets to the inside of each pane using the bolt assemblies.

Note: Ensure the short end of the bolt assembly is on the outside of the panels.

8. Place the top panel onto the brackets, ensuring all holes line up.
9. Insert the plugs and attach the top panel to the brackets with the bolt assembly.



Operation

Storing Food

To get the best results from your POLAR appliance, follow these instructions:

- Only store foodstuffs in the appliance when it has reached the correct operating temperature.
- Ensure gastronorm bays are full at all times, even if the gastronorms are unused or empty. Empty bays will greatly reduce efficiency of the appliance.
- Use the spacer bars provided to fill any gaps (they are not required to support each GN pans).
- Do not obstruct the fans inside the appliance.

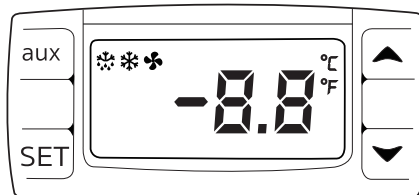
Note: The appliance is not intended for the long term storage of food.

Turn On

1. Ensure the power switch is set to [O] and turn on at the socket.
2. Switch on the power switch [I]. The current temperature within the appliance is displayed.

Set the Operating Temperature

1. Press the SET button for 3 seconds. The display will flash.
2. Press the ▲ or ▼ buttons to display the required temperature.
3. Press the SET button to store the temperature.



Manual Defrost

Press and hold the defrost button "aux" for 2 seconds to begin a manual defrost. The defrost light illuminates.

The defrost cycle will end automatically.

Cleaning, Care & Maintenance

- **Switch off and disconnect from the power supply before cleaning.**
- Clean the interior of the appliance as often as possible.
- Do not use abrasive cleaning agents. These can leave harmful residues.
- Clean the door seal with warm soapy water.
- Always wipe dry after cleaning.
- Do not allow water used in cleaning to run through the drain hole into the evaporation pan.
- Take care when cleaning the rear of the appliance. Sharp edges can cut.

Condensation and ice will form with frequent and prolonged opening of the lid.

Operating outside of the recommend temperature range and placing next to a heat source will also increase the amount of ice and internal/external condensation. If external condensation occurs wipe the surface down with a cloth.

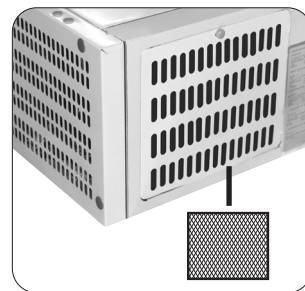
Excessive ice will result in longer running times that will increase energy consumption and increase the deterioration of components.

If the gasket or seal is damaged or deformed, energy consumption will increase. To restore efficiency, replace gasket.

Do not obstruct fans and do not exceed max load lines, as doing so will impact air distribution and increase energy usage.

Cleaning the Condenser Filter

- The condenser is part of the refrigeration system. The condenser filter requires monthly cleaning.
- Always disconnect power supply before carrying out Routine Maintenance.
- Failure to clean the condenser will increase energy consumption, reduce the performance and life of your Polar unit, and thus may invalidate your warranty.
- These models have a removable filter which can be cleaned with a vacuum cleaner.



Troubleshooting

A qualified technician must carry out repairs if required.

Fault	Probable Cause	Solution
The appliance is not working	The unit is not switched on	Check unit plugged in correctly and switched on
	Plug or lead is damaged	Replace Plug or lead
	Fuse in the plug has blown	Replace the fuse
	Mains power supply fault	Check mains power supply

Fault	Probable Cause	Solution
The appliance turns on, but the temperature is too high/low	Too much ice on the evaporator	Defrost the appliance
	Condenser blocked with dust	Clean the Condenser
	Doors are not shut properly	Check doors are shut and seals are not damaged
	Appliance is located near a heat source or air flow to the condenser is being interrupted	Move the appliance to a more suitable location
	Ambient temperature is too high	Increase ventilation or move appliance to a cooler position
	Unsuitable foodstuffs are being stored in the appliance	Remove any excessive hot foodstuffs or blockages to the fan
	Appliance is overloaded	Reduce the amount of food stored in the appliance
The appliance is leaking water	The appliance is not properly levelled	Adjust the screw feet to level the appliance (if applicable)
	The discharge outlet is blocked	Clear the discharge outlet
	Movement of water to the drain is obstructed	Clear the floor of the appliance (if applicable)
	The water container is damaged	Consult a qualified Technician
	The drip tray is overflowing	Empty the drip tray (if applicable)
The appliance is unusually loud	Loose nut/screw	Check and tighten all nuts and screws
	The appliance has not been installed in a level or stable position	Check installation position and change if necessary

Technical Specifications

Note: Due to our continuing program of research and development, the specifications herein may be subject to change without notice.

Model	Voltage	Power	Current	Temperature Range	Capacity	Refrigerant type / weight (kg)	Dimensions H x W x D mm	Weight (kg)
G608	220-240V~50Hz	150W	1A	2°C - 8°C	5 x gastronorm 1/4 Container	R600a (0.045kg)	435 x 1200 x 335	49
G609		150W	1A	2°C - 8°C	7 x gastronorm 1/4 Container	R600a (0.045kg)	435 x 1500 x 335	57
G610		150W	1A	2°C - 8°C	8 x gastronorm 1/4 Container	R600a (0.045kg)	435 x 1800 x 335	65
G611		230W	1.6A	2°C - 8°C	10 x gastronorm 1/4 Container	R600a (0.045kg)	435 x 2000 x 335	34
GD875		150W	1A	2°C - 8°C	3 x gastronorm 1/3 Container 1 x gastronorm 1/2 Container	R600a (0.045kg)	435 x 1200 x 395	28
GD876		150W	1A	2°C - 8°C	5 x gastronorm 1/3 Container 1 x gastronorm 1/2 Container	R600a (0.045kg)	435 x 1500 x 395	31
GD877		150W	1A	2°C - 8°C	8 x gastronorm 1/3 Container	R600a (0.045kg)	435 x 1800 x 395	35
GD878		230W	1.6A	2°C - 8°C	9 x gastronorm 1/3 Container	R600a (0.045kg)	435 x 2000 x 395	37

Electrical Wiring

POLAR appliances are supplied with a 3 pin BS1363 plug and lead.

The plug is to be connected to a suitable mains socket.

POLAR appliances are wired as follows:

- Live wire (coloured brown) to terminal marked L
- Neutral wire (coloured blue) to terminal marked N
- Earth wire (coloured green/yellow) to terminal marked E

This appliance must be earthed.



If in doubt consult a qualified electrician.

Electrical isolation points must be kept clear of any obstructions. In the event of any emergency disconnection being required they must be readily accessible.

Disposal

EU regulations require refrigeration product to be disposed of by specialist companies who remove or recycle all gasses, metal and plastic components.

Consult your local waste collection authority regarding disposal of your appliance. Local authorities are not obliged to dispose of commercial refrigeration equipment but may be able to offer advice on how to dispose of the equipment locally.

Alternatively call the POLAR helpline for details of national disposal companies within the EU.

Compliance

The WEEE logo on this product or its documentation indicates that the product must not be disposed of as household waste. To help prevent possible harm to human health and/or the environment, the product must be disposed of in an approved and environmentally safe recycling process. For further information on how to dispose of this product correctly, contact the product supplier, or the local authority responsible for waste disposal in your area.



POLAR parts have undergone strict product testing in order to comply with regulatory standards and specifications set by international, independent, and federal authorities.



POLAR products have been approved to carry the following symbol:

All rights reserved. No part of these instructions may be produced or transmitted in any form or by any means, electronic, mechanical, photocopying, recording or otherwise, without the prior written permission of POLAR.

Every effort is made to ensure all details are correct at the time of going to press, however, POLAR reserve the right to change specifications without notice.

Veiligheidstips

- Plaatsen op een vlakke en stabiele ondergrond.
- De installatie en eventuele reparaties zijn door een servicetechnicus/vaktechnicus uit te voeren. Verwijder geen componenten of servicepanelen van dit product.
- Raadpleeg en volg de plaatselijke en nationale regelgeving op m.b.t. tot het volgende:
 - Wetgeving van gezondheid en veiligheid op de werkplaats
 - Werkregels
 - Brandpreventie
 - IEE bekabelingsnormen
 - Bouwverordeningen
- Dit product NIET reinigen met spuit-/drukreinigers.
- Uitsluitend geschikt voor gebruik binnenshuis.
- Dit product NIET gebruiken voor de berging van medische producten.
- Dit product altijd in een verticale positie vervoeren, opbergen en gebruiken. Het product aan de kastbasis vervoeren.
- Alvorens dit product te reinigen dient men altijd de stroomvoorziening uit te schakelen.
- Laat verpakkingsmateriaal niet binnen handbereik van kinderen. Verpakkingsmateriaal in overeenstemming met de regelgeving van de plaatselijke overheden als afval laten verwerken.
- Indien de stroomkabel beschadigd raakt, dient men deze door een POLAR technicus of een aanbevolen vaktechnicus te laten vervangen om gevaarlijke situaties te verhinderen.
- Dit apparaat is niet bedoeld voor gebruik door personen met lichamelijke, zintuiglijke of mentale beperkingen (inclusief kinderen) of met gebrek aan ervaring of kennis tenzij zij hierin worden begeleid of zijn opgeleid in het gebruik van het apparaat door een persoon, die verantwoordelijk is voor hun veiligheid.
- POLAR beveelt aan dat dit apparaat periodiek (minstens jaarlijks) door een bevoegde persoon wordt getest. Tests moeten omvatten, maar zijn niet beperkt tot: visuele inspectie, polariteit, aardings continuïteit (klasse I-apparatuur), isolatie continuïteit en functionele test.

Voorzichtig: Risico van Fire

- Laat explosieve stoffen niet opslaan: zoals spuitbussen met een ontvlambare drijfgas in dit apparaat.



Waarschuwing: Hou alle ventilatieopeningen vrij van obstakels. De eenheid mag niet ingesloten worden zonder geschikte ventilatie.

- **Waarschuwing:** Gebruik geen mechanische apparaten of andere middelen te gebruiken om het ontdooien , andere dan de door de fabrikant aanbevolen versnellen
- **Waarschuwing:** niet damage het koelcircuit
- **Waarschuwing:** Gebruik geen elektrische apparaten binnen het voedsel opbergvakken van het apparaat.

Productbeschrijving

G608 - POLAR 5 x 1/4 Containergekoelde opzetvitrine/bereidingsvitrine

G609 - POLAR 7 x 1/4 Containergekoelde opzetvitrine/bereidingsvitrine

G610 - POLAR 8 x 1/4 Containergekoelde opzetvitrine/bereidingsvitrine

G611 - POLAR 10 x 1/4 Containergekoelde opzetvitrine/bereidingsvitrine

GD875 - POLAR 3 x 1/3 + 1 x 1/2 Containergekoelde opzetvitrine/bereidingsvitrine

GD876 - POLAR 5 x 1/3 + 1 x 1/2 Containergekoelde opzetvitrine/bereidingsvitrine

GD877 - POLAR 8 x 1/3 Containergekoelde opzetvitrine/bereidingsvitrine

GD878 - POLAR 9 x 1/3 Containergekoelde opzetvitrine/bereidingsvitrine

Inleiding

Neem de tijd en lees deze handleiding aandachtig door. Een correct gebruik en onderhoud van deze machine waarborgt de beste prestatie van uw POLAR product.

Verpakkingsinhoud

- | | |
|-------------------------------|------------------------------|
| • POLAR Koelkast of vrieskast | • Beugels x 7 |
| • Glazen bovenpaneel | • Fixeerschroeven x 7 |
| • Glazen achterpaneel | • Schroeven x 12 |
| • Glazen zijpanelen x 2 | • Pluggen x 14 |
| • Handleiding | • Gastronom aanpasbare stang |
| • Tussendelen x 6 | • Verstelbare poten x 4 |

POLAR is trots op de haar productkwaliteit en dienstverlening en controleer de inhoud van de verpakkingen, tijdens de verpakkingsfase, op functionaliteit en schade.

Mocht u product door transport zijn beschadigd, neem dan onmiddellijk contact op met uw POLAR dealer.

Installatie

Opmerking: Niet voor gebruik in bestelwagens of aanhangwagens, foodtrucks of soortgelijke voertuigen.

Opmerking: indien het apparaat niet in een rechtopstaande positie is opgeslagen of vervoerd, dient men het product 12 uur vóór gebruik in de rechtopstaande positie te plaatsen. Bij twijfel dient men het product in een rechtopstaande positie te plaatsen.

1. Haal het product uit de verpakking. Zorg ervoor dat u de beschermingsfolie en -lagen van alle oppervlakken heeft verwijderd.
2. Om de prestaties en levensduur te optimaliseren, dient u ervoor te zorgen dat er minimaal 2,5 cm afstand wordt gehouden tussen de unit en muren en andere objecten, met een minimale vrije ruimte van 20 cm aan de bovenkant. **PLAATS NOOIT NAAST EEN WARMTEBRON.**

Opmerking: Voor het eerste gebruik van dit product dient u de lades en de binnenzijde met zeepwater te reinigen, en daarna goed droogmaken met een droogdoek.

- Nivelleer het product door de verstelbare poten aan te passen.

Plaatsen van de glaspanelen

1. Schroef de tussendelen vast aan de rand van het product.

Opmerking: zorg dat het gat in het tussendeel voor de fixeerschroeven naar binnen is gericht.

2. Schuif de twee zijpanelen in de tussendelen met de gaten in het glas naar boven gericht.

Schroef een fixeerschroef in elk van de tussendelen om de panelen te bevestigen.

3. Schroef een fixeerschroef in elk van de tussendelen om de panelen te bevestigen.

Opmerking: zorg dat het zachte uiteinde van de fixeerschroef het contactmakende stuk is met het glas.

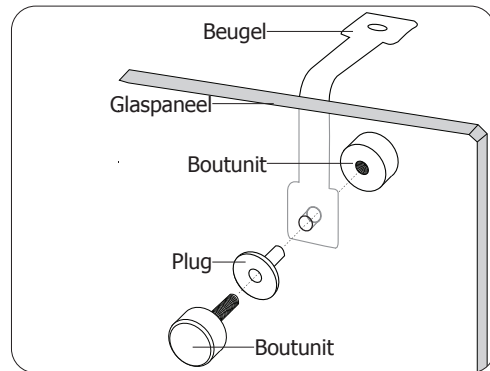
Draai de imbusboutjes niet te strak aan daar dit zal resulteren in het breken van het glas.

4. Schuif de het achterpaneel in de tussendelen met de gaten in het glas naar boven gericht.
5. Schroef een fixeerschroef in elk van de tussendelen om het paneel te bevestigen.

6. Schuif in elk van de gaten één plastic plug.
7. Schroef de beugels met behulp van de boutunits aan de binnenzijde van elk paneel.

Opmerking: zorg dat het kortste uiteinde van het boutunit aan de buitenkant van de panelen zit.

8. Plaats het toppaneel in de beugels en zorg dat alle gaten met elkaar zijn opgelijnd.
9. Plaats de pluggen en bevestig het toppaneel aan de beugels met behulp van de boutunits.



Bediening

Opslag van levensmiddelen

Volg de volgende aanwijzingen voor de beste resultaten met uw POLAR product:

- Bewaar uitsluitend levensmiddelen in het product wanneer het product de juiste gebruikstemperatuur heeft bereikt.
- Zorg dat alle gastronom bakken altijd vol zijn, zelfs wanneer de gastronoms niet gebruikt of leeg zijn. Lege bakken zullen de efficiëntie van het product aanzienlijk verminderen.
- Gebruik de afstandhouders geleverd om eventuele lacunes op te vullen (ze zijn niet verplicht om elke GN pan ondersteunen)
- Niet de interne ventilatoren in het product blokkeren.

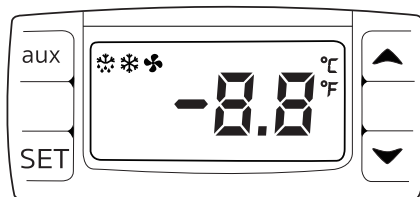
Opmerking: het apparaat is niet bedoeld voor het langdurig bewaren van voedsel.

Inschakelen

1. Controleer of stroomschakelaar in de positie [O] staat en de steker in het stopcontact zit.
2. Zet de Power (Stroom) [I] aan. De actuele interne temperatuur van het product wordt weergegeven.

Werktemperatuur instellen

1. Houd de SET toets gedurende 3 seconden ingedrukt. Het display knippert.
2. Druk op de ▲ of ▼ knoppen om de vereiste temperatuur weer te geven.
3. Druk op de SET knop om de temperatuurwaarde op te slaan.



Handmatig ontthoien

De knop **aux** indrukken en gedurende 2 seconden ingedrukt houden om ontthoien te starten. Het ontthoingslampje gaat aan. De ontthoicyclus eindigt automatisch.

Reiniging, zorg & onderhoud

- **Alvorens het apparaat te reinigen dient men de stroomvoorziening uit te schakelen.**
- Reinig zo vaak mogelijk de binnenkant van het product.
- Gebruik géén schurende reinigingsmiddelen. Dergelijke middelen kunnen schadelijke resten achterlaten.
- Reinig de deurdichting met warm zeepwater.
- Na reiniging altijd droogmaken.
- Het voor reiniging gebruikte water mag niet door het afvoergat naar de verdampingspan stromen.
- Ga voorzichtig te werk bij het reinigen van de achterzijde van het product. Scherpe randen kunnen snijwonden veroorzaken.

Bij veelvuldig en langdurig openen van de deuren zal zich condens en ijs vormen.

Gebruik buiten het aanbevolen temperatuurbereik en plaatsing naast een warmtebron zal ook de hoeveelheid ijs en interne/externe condensatie doen toenemen. In geval van externe condensatie kunt u het oppervlak afvegen met een doek.

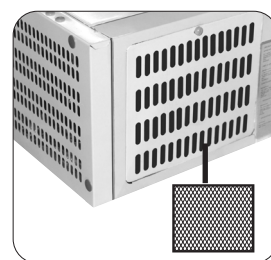
Te veel ijs leidt tot langere bedrijfstijden, waardoor het energieverbruik toeneemt en de onderdelen slechter worden.

Als de pakking of afdichting beschadigd of vervormd is, zal het energieverbruik toenemen. Vervang de pakking om de efficiëntie te herstellen.

Zorg dat u de ventilators niet blokkeert en de maximale belastingslijnen niet overschrijdt omdat hierdoor de luchtverdeling wordt beïnvloed en het energieverbruik toeneemt.

Het schoonmaken van de condensor Filter

- De condensor is onderdeel van het koelsysteem. De condensor filter vereist maandelijkse reiniging.
- Ontkoppel voeding altijd alvorens oktober routineonderhoud.
- Het niet reinigen van de condensator zal het energieverbruik verhogen, de prestaties en de levensduur van uw Polar-eenheid, beperken en hierdoor uw garantie ongeldig zal maken.
- Deze modellen hebben een uitneembare filter kan worden gereinigd met een stofzuiger.



Oplossen van problemen

Indien nodig moet een gekwalificeerde technicus reparaties uitvoeren.

Probleem	Mogelijke oorzaak	Handeling
Het apparaat werkt niet	Het apparaat staat uit	Controleer of de stroomkabel van het apparaat is aangesloten en of het apparaat is ingeschakeld
	Stekker en kabel zijn beschadigd	Vervang stekker of kabel
	Storing netvoeding	Controleer netvoeding

Probleem	Mogelijke oorzaak	Handeling
Het product staat aan maar de temperatuur is te hoog/laag	Teveel ijs in de verdamper	Ontdooi het product
	Condensor wordt geblokkeerd door stof	Reinig de condensor
	Deuren niet goed gesloten	Controleren of de deuren goed dicht en of afdichtingen niet beschadigd zijn
	Het product bevindt zich in de nabijheid van een warmtebron of de luchtstroom naar de condensor wordt onderbroken	Verplaats de koelkast naar een geschiktere locatie
	Omgevingstemperatuur is te hoog	Verbeter de ventilatie of verplaats het product naar een koelere locatie
	Ongeschikte levensmiddelen worden in het product bewaard	Verwijder alle overbodige warme levensmiddelen of deblokkeer de ventilator
	Het product wordt overbelast	Verminder de hoeveelheid opgeslagen voedsel in het product
Het product lekt water	Het product staat niet recht	Pas de verstelbare poten aan om het product te nivelleren (indien nodig)
	De afvoeropening wordt geblokkeerd	Maak de afvoeropening vrij van obstakels
	De waterstroom naar de afvoer wordt geblokkeerd	Maak de vloer vrij van obstakels (indien nodig)
	De waterbak is beschadigd	Raadpleeg een gekwalificeerde technicus
	De druppellade stroomt over	Leeg de druppellade (indien nodig)
Het product maakt ongebruikelijk veel lawaai	Moer/schroef los	Alle moeren en schroeven controleren en aantrekken
	Het product is niet op een effen of stabiele ondergrond geplaatst	Installatielocatie controleren en indien nodig veranderen

Technische specificaties

Opmerking: Vanwege ons voortdurende verbeteringsproces, kunnen de productspecificaties zonder voorafgaande kennisgeving worden gewijzigd.

Model	Voltage	Vermogen	Stroom	Temperatuur-bereik	Inhoud (liters)	Type koelmiddel / gewicht (kg)	Afmetingen h x b x d mm	Gewicht (kg)
G608	220-24V~50Hz	150W	1A	2°C - 8°C	5 x gastronorm 1/4 Container	R600a (0.045kg)	435 x 1200 x 335	49
G609		150W	1A	2°C - 8°C	7 x gastronorm 1/4 Container	R600a (0.045kg)	435 x 1500 x 335	57
G610		150W	1A	2°C - 8°C	8 x gastronorm 1/4 Container	R600a (0.045kg)	435 x 1800 x 335	65
G611		230W	1.6A	2°C - 8°C	10 x gastronorm 1/4 Container	R600a (0.045kg)	435 x 2000 x 335	34
GD875		150W	1A	2°C - 8°C	3 x gastronorm 1/3 Container 1 x gastronorm 1/2 Container	R600a (0.045kg)	435 x 1200 x 395	28
GD876		150W	1A	2°C - 8°C	5 x gastronorm 1/3 Container 1 x gastronorm 1/2 Container	R600a (0.045kg)	435 x 1500 x 395	31
GD877		150W	1A	2°C - 8°C	8 x gastronorm 1/3 Container	R600a (0.045kg)	435 x 1800 x 395	35
GD878		230W	1.6A	2°C - 8°C	9 x gastronorm 1/3 Container	R600a (0.045kg)	435 x 2000 x 395	37

Elektrische bedrading

Men dient de steker op een geschikt stopcontact aan te sluiten.

De bedrading van dit apparaat is als volgt:

- Stroomkabel (bruin) naar de aansluitklem gemarkeerd met L
- Neutraalkabel (blauw) naar de aansluitklem gemarkeerd met N
- Aardekabel (groen/geel) naar de aansluitklem gemarkeerd met E

Dit apparaat moet worden geaard.



Bij twijfels raadpleeg een vakkundige electricien.

De elektrische isolatiepunten mogen niet worden geblokkeerd. In geval van een nooduitschakeling moeten de isolatiepunten direct toegankelijk zijn.

Afvalverwerking

De EU-richtlijnen vereisen dat koelproducten door gespecialiseerde bedrijven wordt verwerkt die gassen, metalen en plastic componenten verwijderen of recyclen.

Raadpleeg uw plaatselijke afvalverwerkingsbedrijf voor informatie over de afvalverwerking van uw apparaat. De plaatselijke overheden zijn niet verplicht om koelingsproducten van bedrijven als afval te verwerken maar kunnen uw informeren waar u het apparaat kunt afgeven.

U kunt ook de POLAR helpline bellen voor informatie over landelijke afvalverwerkingsbedrijven in de EU.

Productconformiteit

Het WEEE-logo op dit product of bijbehorende documentatie geeft aan dat het product niet onder huisvuil valt en als zodanig ook niet mag worden verwerkt. Ter preventie van mogelijke gevaren voor de gezondheid van personen en/of voor het milieu, dient men dit product in overeenstemming met het voorgeschreven en milieuvriendelijke recyclingproces als afval te verwerken. Raadpleeg uw productleverancier of uw plaatselijk afvalverwerkingsbedrijf voor meer informatie over de juiste afvalverwerking van dit product.



De onderdelen van POLAR producten hebben strenge producttesten ondergaan om te voldoen aan wettelijke regels en specificaties die door internationale, onafhankelijke en landelijke overheden worden voorgeschreven.



POLAR producten zijn goedgekeurd en voorzien van het volgende symbool:

Alle rechten voorbehouden. Het is verboden om deze handleiding, hetzij volledig of gedeeltelijk, elektronisch of mechanisch te reproduceren, kopiëren, op opslagmedia op te slaan of op enigerlei wijze over te dragen, zonder voorafgaande goedkeuring van POLAR.

Wij hebben er alles aan gedaan om er zeker van te zijn dat op publicatiedatum van de handleiding alle details correct zijn, desondanks, behoudt POLAR het recht voor om specificaties zonder aankondiging te wijzigen.

Conseils de sécurité

- Placez l'appareil sur une surface plane, stable.
- L'installation et les éventuelles réparations doivent être confiées à un dépanneur / technicien qualifié. Ne retirez aucun composant ou cache de ce produit.
- Consultez les normes locales et nationales pour vous conformer aux :
 - lois sur l'hygiène et la sécurité au travail ;
 - codes de bonnes pratiques BS EN ;
 - précautions contre le risque d'incendie ;
 - réglementations sur les branchements électriques IEE ;
 - règlements sur la construction.
- NE PAS nettoyer cet appareil avec un nettoyeur à jet / à pression.
- NE PAS se servir de cet appareil pour stocker des médicaments.
- Cet appareil est réservé exclusivement à une utilisation à l'intérieur.
- Veillez à toujours transporter, stocker et manipuler l'appareil à la verticale et à le déplacer en tenant la base du châssis.
- N'oubliez jamais d'éteindre et de débrancher l'appareil avant de procéder à son nettoyage.
- Gardez les emballages hors de portée des enfants. Débarrassez-vous des emballages conformément aux règlements des autorités locales.
- Un cordon d'alimentation endommagé doit être remplacé par un agent POLAR ou un technicien qualifié recommandé, pour éviter tout danger. Cet appareil n'a pas été conçu pour être utilisé par des personnes (enfants inclus) à capacités physiques, sensorielles ou mentales réduites ou ne disposant pas d'une expérience ou de connaissances suffisantes, à moins que lesdites personnes n'aient été formées ou instruites quant à son utilisation, par une personne responsable de leur sécurité.
- POLAR recommande de faire tester régulièrement cet appareil (une fois par an au minimum) par une personne compétente. Le test devrait inclure, entre autres : inspection visuelle, test de polarité, la continuité de masse, test d'isolation et test de fonctionnement.

Attention : Risque d'incendie

- Ne stockez pas de substances explosives telles que les aérosols avec un propulseur inflammable dans cet appareil.



Attention : Évitez de bloquer toutes les ouvertures d'aération. L'unité ne doit pas être mise dans un box dans aération adéquate.

- **Attention :** Ne pas utiliser de dispositifs mécaniques ou autres moyens pour accélérer le processus de dégivrage, autre que le fabricant recommandé Ceux par.
- **Attention :** Ne pas endommager le circuit frigorifique.
- **Attention :** Ne pas utiliser d'appareils électriques à l'intérieur des compartiments de stockage des aliments de l'appareil.

Description du produit

G608 - Plan de travail de distribution / préparation 5 x 1/4 bacs GN réfrigéré POLAR

G609 - Plan de travail de distribution / préparation 7 x 1/4 bacs GN réfrigéré POLAR

G610 - Plan de travail de distribution / préparation 9 x 1/4 bacs GN réfrigéré POLAR

G611 - Plan de travail de distribution / préparation 10 x 1/4 bacs GN réfrigéré POLAR

GD875 - Plan de travail de distribution / préparation 3 x 1/3 + 1 x 1/2 bacs GN réfrigéré POLAR

GD876 - Plan de travail de distribution / préparation 5 x 1/3 + 1 x 1/2 bacs GN réfrigéré POLAR

GD877 - Plan de travail de distribution / préparation 8 x 1/3 bacs GN réfrigéré POLAR

GD878 - Plan de travail de distribution / préparation 9 x 1/3 bacs GN réfrigéré POLAR

Introduction

Nous vous invitons à consacrer quelques instants à la lecture attentive de ce mode d'emploi. L'entretien et l'utilisation appropriés de cette machine vous permettront de tirer le meilleur de votre produit POLAR.

Contenu

- | | |
|--------------------------------------|-----------------------------------|
| • Réfrigérateur ou congélateur POLAR | • 7 pattes de fixation |
| • Paroi supérieure en verre | • 7 vis sans tête |
| • Paroi arrière en verre | • 12 vis |
| • Deux parois latérales en verre | • 14 obturateurs |
| • Mode d'emploi | • Barre de séparation Gastronomes |
| • 6 colliers | • 4 pieds réglables |

POLAR attache une grande importance à la qualité et au service et veille à fournir des produits en parfait état opérationnel, parfaitement intacts au moment de l'emballage.

Nous vous prions de contacter votre revendeur POLAR immédiatement si vous constatez un dommage quelconque survenu pendant le transport du produit.

Installation

Remarque : Ne pas utiliser dans des camionnettes ou des semi-remorques, dans des camions-restaurants ou véhicules similaires.

Remarque : dans les cas où l'appareil a été stocké ou déplacé autrement qu'à la verticale, placez-le en position debout pendant environ 12 heures avant de vous en servir. En cas de doute, laissez l'appareil se reposer.

- Sortez l'appareil de l'emballage. Veillez à bien retirer toute la pellicule et les revêtements de protection de toutes les surfaces.
- Veillez à prévoir une distance de 20 cm entre l'appareil et les murs ou autres objets, pour laisser l'air circuler. **ÉVITEZ DE PLACER CET APPAREIL À PROXIMITÉ D'UNE SOURCE DE CHALEUR.**

Remarque : Avant de mettre l'appareil en service pour la première fois, nettoyez les clayettes et l'intérieur de l'appareil à l'eau savonneuse.

- Mettez l'appareil de niveau en réglant les pieds à vis.

Installation des parois de verre

- Vissez les colliers sur le bord de l'appareil.

Remarque : Veillez à ce que le trou du collier prévu pour la vis sans tête soit tourné vers l'intérieur.

- Faites coulisser les deux parois latérales dans les colliers, en plaçant les trous pratiqués dans le verre au-dessus.

Remarque : Veillez à prévoir le trou de vis le plus éloigné du bord de la vitre pour l'arrière de l'appareil.

- Vissez une vis sans tête dans chaque collier, pour caler les parois.

Remarque : Veillez à ce que le côté souple de la vis sans tête soit le côté posé sur le verre.

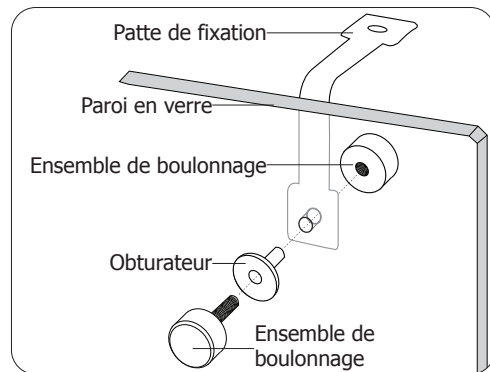
Ne pas trop serrer les vis sans tête car cela entraînera la cassure du verre.

- Faites coulisser la paroi arrière dans les colliers, en plaçant les trous pratiqués dans la vitre sur le dessus.
- Vissez une vis sans tête dans chaque collier, pour caler la paroi.

- Insérez les obturateurs en plastique dans les trous.
- Vissez les pattes de fixation sur l'intérieur de chaque vitre, à l'aide des ensembles de boulonnage.

Remarque : Veillez à ce que la partie courte de l'ensemble de boulonnage se situe à l'extérieur des parois.

- Posez la paroi supérieure sur les pattes de fixation, en veillant à ce que tous les trous s'alignent.
- Insérez les obturateurs et fixez la paroi supérieure aux pattes de fixation, à l'aide des ensembles de boulonnage.



Fonctionnement

Conservation des aliments

Pour obtenir les meilleurs résultats de votre appareil POLAR, suivez ces instructions :

- N'entreposez les denrées alimentaires dans l'appareil qu'après avoir atteint la température de fonctionnement correcte.
- Assurez-vous que les baies gastronorm sont pleines à tout moment, même si les gastronorms sont inutilisés ou vides. Les baies vides réduiront considérablement l'efficacité de l'appareil.
- Utilisez les entretoises fournies pour combler les lacunes (ils ne sont pas tenus de prendre en charge chaque casseroles GN).
- Ne pas obstruer les ventilateurs à l'intérieur de l'appareil.

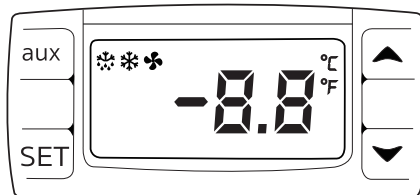
Remarque : l'appareil n'est pas conçu pour le stockage à long terme d'aliments.

Mise en service

- Vérifiez que l'interrupteur marche / arrêt est réglé sur [O] et allumez la prise.
- Mettez l'appareil sous tension, position [I]. La température à l'intérieur de l'appareil s'affiche.

Réglez la température de fonctionnement

1. Maintenez le bouton **SET** pendant 3 secondes. L'affichage clignote.
2. Appuyez sur les boutons ▲ ou ▼ pour afficher la température requise.
3. Appuyez sur le bouton **SET** pour mémoriser la température.



Dégivrage manuel

Appuyez sur le bouton «aux» et maintenez-le enfoncé pendant 2 secondes pour démarrer le dégivrage automatique. Le voyant de dégivrage s'allume. Le cycle de dégivrage se termine automatiquement.

Nettoyage, entretien et maintenance

- **N'oubliez jamais d'éteindre et de débrancher l'appareil avant de procéder à son nettoyage.**
- Nettoyez l'intérieur de l'appareil aussi souvent que possible.
- N'utilisez aucun produit de nettoyage abrasif. Ces produits peuvent laisser des résidus nocifs.
- Nettoyez le joint de la porte avec de l'eau savonneuse chaude.
- Soyez prudent quand vous nettoyez l'arrière de l'appareil. Les bords effilés peuvent couper.

L'ouverture fréquente et prolongée des portes entraîne la formation de condensation et de glace. Le fait de faire fonctionner l'appareil en dehors de la plage de température recommandée et de le placer à côté d'une source de chaleur augmente également la quantité de glace et de condensation interne/externe. En cas de condensation externe, essuyez la surface avec un chiffon.

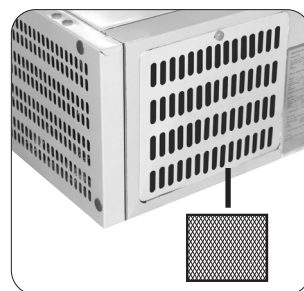
Une quantité excessive de glace entraînera des temps de fonctionnement plus longs qui augmenteront la consommation d'énergie et la détérioration des composants.

Si le joint ou la garniture est endommagé ou déformé, la consommation d'énergie augmentera. Pour rétablir l'efficacité, remplacez le joint d'étanchéité.

Évitez d'obstruer les ventilateurs et ne dépassez pas les lignes de charge maximale, car cela affecterait la distribution de l'air et augmenterait la consommation d'énergie.

Nettoyage du filtre à condenseur

- Le condenseur est la partie du système de réfrigération. Le filtre du condenseur nécessite un nettoyage mensuel.
- Toujours débrancher l'alimentation avant de procéder à l'entretien courant.
- Si vous ne nettoyez pas le condenseur, la consommation d'énergie augmentera, les performances et la durée de vie de votre unité Polar seront réduites et votre garantie pourrait être annulée.
- Ces modèles ont un filtre amovible qui peut être nettoyé avec un aspirateur.



Dépannage

Un technicien qualifié doit effectuer les réparations si nécessaire.

Dysfonctionnement	Cause probable	Intervention
L'appareil ne fonctionne pas	L'appareil n'est pas allumé	Vérifier que l'appareil est bien branché et allumé
	La fiche ou le câble est endommagé	Remplacez la fiche ou le câble
	Défaut d'alimentation secteur	Vérifier l'alimentation secteur

Dysfonctionnement	Cause probable	Intervention
L'appareil s'allume, mais la température est trop haute / basse	Excès de glace sur l'évaporateur	Décongeler l'appareil
	Le condensateur est saturé de poussières	Nettoyer le condenseur
	Les portes sont mal fermées	Vérifier que les portes sont fermées et l'état des joints
	L'appareil est situé près d'une source de chaleur ou l'air ne circule pas librement vers le condensateur	Déplacer le réfrigérateur pour le placer à un endroit mieux adapté
	Température ambiante trop haute	Augmenter la ventilation ou placer l'appareil à un endroit plus frais
	Des aliments inadéquats sont stockés dans l'appareil	Retirer les aliments trop chauds ou les éventuelles obstructions au ventilateur
	L'appareil est surchargé	Réduire la quantité d'aliments stockés dans l'appareil
Fuite d'eau	L'appareil n'est pas de niveau	Régler les pieds à vis pour le mettre de niveau (le cas échéant)
	Evacuation bouchée	Déboucher l'évacuation
	Circuit de vidange bouché	Nettoyer le plancher de l'appareil (le cas échéant)
	Bac à eau endommagé	Consulter un technicien qualifié
	La cuvette de dégivrage déborde	Vider la cuvette de dégivrage (le cas échéant)
L'appareil fait beaucoup de bruit	Ecrou / vis desserrés	Vérifier et resserrer les écrous et vis
	La surface sur laquelle l'appareil a été posé n'est pas de niveau ou l'appareil n'est pas stable	Vérifier la position d'installation et la changer si nécessaire

Spécifications techniques

Remarque : en raison de notre processus d'amélioration continue, les spécifications des produits sont susceptibles d'être modifiées sans préavis.

Modèle	Tension	Puissance	Courant	Plage de température	Capacité (litres)	Type de réfrigérant / poids (kg)	Dimensions h x l x p mm	Poids (kg)
G608	220-240V~ 50Hz	150W	1A	2°C - 8°C	5 x 1/4 Bac gastronorme	R600a (0.045kg)	435 x 1200 x 335	49
G609		150W	1A	2°C - 8°C	7 x 1/4 Bac gastronorme	R600a (0.045kg)	435 x 1500 x 335	57
G610		150W	1A	2°C - 8°C	8 x 1/4 Bac gastronorme	R600a (0.045kg)	435 x 1800 x 335	65
G611		230W	1.6A	2°C - 8°C	10 x 1/4 Bac gastronorme	R600a (0.045kg)	435 x 2000 x 335	34
GD875		150W	1A	2°C - 8°C	3 x 1/3 Bac gastronorme 1 x 1/2 Bac gastronorme	R600a (0.045kg)	435 x 1200 x 395	28
GD876		150W	1A	2°C - 8°C	5 x 1/3 Bac gastronorme 1 x 1/2 Bac gastronorme	R600a (0.045kg)	435 x 1500 x 395	31
GD877		150W	1A	2°C - 8°C	8 x Bac gastronorme	R600a (0.045kg)	435 x 1800 x 395	35
GD878		230W	1.6A	2°C - 8°C	9 x Bac gastronorme	R600a (0.045kg)	435 x 2000 x 395	37

Raccordement électrique

La prise doit être reliée à la prise secteur qui convient.

Cet appareil est câblé comme suit :

- Fil conducteur (brun) à la borne marquée L
- Fil neutre (bleu) à la borne marquée N
- Fil de terre (vert / jaune) à la borne marquée E

Cet appareil doit être mis à la terre.



En cas de doute, consultez un électricien qualifié.

Les points d'isolation électrique doivent être libres de toute obstruction. En cas de débranchement requis en urgence, ils doivent être facilement accessibles.

Mise au rebut

Les règlements de l'UE exigent que les produits munis de réfrigérants soient mis au rebut par des entreprises spécialisées, équipées pour extraire et recycler les composants à gaz, métalliques et en plastique.

Adressez-vous à votre autorité chargée de la collecte des déchets pour ce qui concerne la mise au rebut de votre appareil. Même si rien n'oblige les autorités locales à se charger de la mise au rebut du matériel de réfrigération commerciale, elles pourraient être en mesure de vous conseiller sur les moyens disponibles localement pour s'en débarrasser.

Vous pouvez aussi appeler le standard d'assistance POLAR, qui saura vous renseigner sur les entreprises de prise en charge nationales au sein de l'UE.

Conformité

Le logo WEEE qui figure sur ce produit ou sa documentation indique qu'il ne doit pas être mis au rebut avec les ordures ménagères. Pour éviter qu'il ne présente un risque pour la santé humaine et / ou écologique, confiez la mise au rebut de ce produit à un site de recyclage agréé respectueux de l'environnement. Pour de plus amples détails sur la mise au rebut appropriée de ce produit, contactez le fournisseur du produit ou l'autorité responsable de l'enlèvement des ordures dans votre région.

Les pièces POLAR ont été soumises à des tests rigoureux pour pouvoir être déclarées conformes aux normes et spécifications réglementaires définies par les autorités internationales, indépendantes et fédérales.

Les produits POLAR ont été déclarés aptes à porter le symbole suivant :



Tous droits réservés. La production ou transmission, partielles ou intégrales, sous quelque forme que ce soit ou par n'importe quel moyen, tant électronique que mécanique, sous forme de photocopie, d'enregistrement ou autre de ce mode d'emploi sont interdites sans l'autorisation préalablement accordée par POLAR.

Nous nous efforçons, par tous les moyens dont nous disposons, de faire en sorte que les détails contenus dans le présent mode d'emploi soient corrects en date d'impression. Toutefois, POLAR se réserve le droit de changer les spécifications de ses produits sans préavis.

Sicherheitshinweise

- Auf eine flache, stabile Fläche stellen.
- Alle erforderlichen Montage- und Reparaturarbeiten sollten von Wartungspersonal oder einem qualifizierten Techniker durchgeführt werden. Keine Bauteile oder Bedienflächen von diesem Produkt entfernen.
- Für folgende Normen und Vorschriften sind die lokalen und nationalen Normen heranzuziehen:
 - Arbeitsschutzvorschriften
 - BS EN Verhaltenspraktiken
 - Brandschutzvorschriften
 - IEE-Anschlussvorschriften
 - Bauvorschriften
- Das Gerät NICHT mit einem Strahl-/Hochdruckreiniger reinigen.
- Nur zum Gebrauch in Gebäuden.
- Das Gerät NICHT zum Aufbewahren von medizinischen Produkten verwenden.
- Das Gerät stets aufrecht tragen, lagern und transportieren. Zum Transport den Schrank an der Unterseite anfassen.
- Vor Reinigungsarbeiten stets zunächst das Gerät abschalten und den Netzstecker ziehen.
- Verpackungsmaterial außerhalb der Reichweite von Kindern aufbewahren und gemäß den lokalen Vorschriften entsorgen.
- Aus Sicherheitsgründen muss ein beschädigtes Stromkabel von einem POLAR-Mitarbeiter oder empfohlenen qualifizierten Elektriker erneuert werden.
- Dieses Gerät sollte nur dann von Personen (einschließlich Kindern) mit reduzierten körperlichen, sensorischen oder geistigen Fähigkeiten, mangelnder Erfahrung oder Kenntnissen verwendet werden, wenn sie von einer für ihre Sicherheit verantwortlichen Person im Gebrauch des Geräts geschult wurden bzw. ständig beaufsichtigt werden.
- Polar empfiehlt, dass dieses Gerät regelmäßig (wenigstens jährlich) von einem Fachmann überprüft wird. Die Überprüfung sollte beinhalten, ohne darauf beschränkt zu sein: Visuelle Überprüfung, Polaritätstest, Erdungskontinuität, Isolationskontinuität und Funktionalitätsprüfung.

Vorsicht: Gefahr von Feuer

- Explosive Stoffe wie Sprühdosen mit brennbaren Treibmittel in diesem Gerät nicht speichern.



Warnung: Halten Sie alle Lüftungsöffnungen frei. Das Gerät sollte nicht ohne geeignete Ventilation eingebaut werden.

- **Warnung:** Verwenden Sie keine mechanischen Vorrichtungen oder andere Mittel, um den Abtauvorgang zu beschleunigen, andere als die vom Hersteller empfohlen, die mit dem.
- **Warnung:** Halten Sie den Kältemittelkreislauf nicht beschädigen.
- **Warnung:** Verwenden Sie keine elektrischen Geräte innerhalb des Lebensmittellagerungsraumes betreiben, sofern sie nicht der Typ.

Produktbeschreibung

G608 -Polar 5 x 1/4 GN Container Kühltopf / Servier Prep
 G609 -Polar 7 x 1/4 GN Container Kühltopf / Servier Prep
 G610 -Polar 8 x 1/4 GN Container Kühltopf / Servier Prep
 G611 -Polar 10 x 1/4 GN Container Kühltopf / Servier Prep
 GD875 -Polar 3 x 1/3 + 1 x 1/2 GN Container Kühltopf / Servier Prep
 GD876 -Polar 5 x 1/3 + 1 x 1/2 GN Container Kühltopf / Servier Prep
 GD877 -Polar 8 x 1/3 GN Container Kühltopf / Servier Prep
 GD878 -Polar 9 x 1/3 GN Container Kühltopf / Servier Prep

Einführung

Bitte nehmen Sie sich einige Minuten Zeit und lesen Sie dieses Handbuch sorgfältig durch. Nur bei korrekter Wartung und vorschriftsgemäßem Betrieb kann Ihr POLAR-Produkt optimale Leistung erzielen.

Lieferumfang

- POLAR-Kühl- oder Tiefkühlgerät
- Glasplatte oben
- Glasplatte hinten
- 2 seitliche Glasplatten
- Bedienungsanleitung
- 6 Halterungen
- 7 Klammern
- 7 Gewindestifte
- 12 Schrauben
- 14 Stopfen
- Gastronorm-Adapterstange
- 4 Regulierbare Füße

POLAR ist stolz auf die hochwertige Qualität seiner Produkte und seinen erstklassigen Service. Wir stellen sicher, dass alle gelieferten Produkte zum Zeitpunkt der Verpackung voll funktionsfähig sind und sich in einwandfreiem Zustand befinden.

Sollten Sie Transportschäden feststellen, wenden Sie sich bitte unverzüglich an Ihren POLAR-Händler.

Montage

Hinweis: Nicht zur Verwendung in Lieferwagen oder Anhängern, Transportern oder ähnlichen Fahrzeugen.

Hinweis: Wenn das Gerät nicht aufrecht transportiert oder gelagert wurde, muss es vor Inbetriebnahme rund 12 Stunden aufrecht aufgestellt werden. Im Zweifelsfall lassen Sie es aufrecht stehen.

1. Gerät aus der Verpackung nehmen. Darauf achten, dass die gesamte Plastikfolie und alle Beschichtungen von sämtlichen Flächen entfernt wurden.
2. Um die Leistung und Langlebigkeit zu optimieren, stellen Sie sicher, dass zwischen dem Gerät und den Wänden und anderen Objekten ein Mindestabstand von 2,5 cm eingehalten wird, wobei oben ein Mindestabstand von 20 cm eingehalten wird. **NIEMALS IN DER NÄHE EINER WÄRMEQUELLE.**

Hinweis: Reinigen Sie die Einlegeböden und das Innere des Geräts vor der ersten Inbetriebnahme mit Seifenwasser und trocknen Sie es gut ab.

- Das Gerät durch Einstellen der Schraubfüße ausgleichen.

Gläser einsetzen

1. Die Halterungen an den Rand des Geräts anschrauben.

Hinweis: Darauf achten, dass die Bohrung in der Halterung für die Gewindestifte nach innen weist.

2. Die beiden seitlichen Glasplatten in die Halterungen schieben. Darauf achten, dass sich die Bohrungen im Glas oben befinden.

Hinweis: Darauf achten, dass die am weitesten von der Kante der Glasplatte entfernte Gewindebohrung zur Rückseite des Geräts weist.

3. Zur Befestigung der Glasplatten einen Gewindestift in jede Halterung drehen.

Hinweis: Darauf achten, dass das weiche Ende des Gewindestifts mit dem Glas in Kontakt kommt.

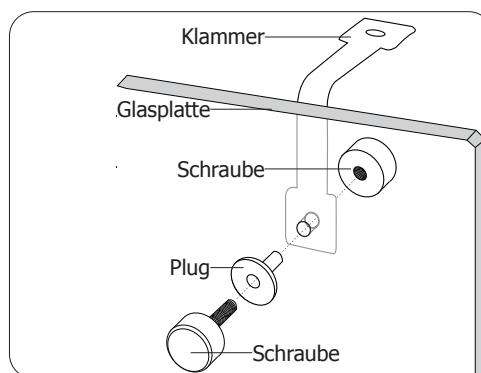
Ziehen Sie die Gewindestifte nicht zu fest an, da dadurch das Glas bricht.

4. Die rückwärtige Fläche in die Halterungen schieben. Darauf achten, dass sich die Bohrungen im Glas oben befinden.

5. Zur Befestigung der Glasplatte einen Gewindestift in jede Halterung drehen.
6. Die Kunststoffstopfen in die Bohrungen stecken.
7. Die Klammern mithilfe der Schrauben innen an den einzelnen Glasplatten sichern.

Hinweis: Das kurze Ende der Schrauben muss sich an der Außenseite der Glasplatten befinden.

8. Die obere Glasfläche auf die Klammern setzen. Dabei müssen alle Bohrungen auf einer Linie liegen.
9. Die Stopfen einstecken und die obere Platte mit den Schrauben an den Klammern befestigen.



Betrieb

Lagern von Lebensmitteln

Um die besten Ergebnisse Ihres POLAR-Gerätes zu erhalten, folgen Sie diesen Anweisungen:

- Lagern Sie nur Lebensmittel im Gerät, wenn es die korrekte Betriebstemperatur erreicht hat.
- Stellen Sie sicher, dass die Gastronorm-Gestelle immer voll sind, auch wenn die Gastronorm nicht verwendet werden oder leer sind. Leere Gestelle verringern die Effizienz des Gerätes erheblich.
- Verwenden Sie die mitgelieferten Abstandhalter, um Lücken zu füllen (sie sind nicht erforderlich, um jede GN-Schale zu halten).
- Versperren Sie nicht die Ventilatoren im Gerät.

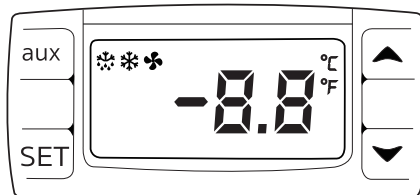
Hinweis: Das Gerät ist nicht für die Langzeitlagerung von Lebensmitteln vorgesehen.

Einschalten

1. Darauf achten, dass der Ein-/Ausschalter auf [O] steht und der Netzstecker eingesteckt ist.
2. Das Gerät einschalten [I]. Die momentane Temperatur im Gerät wird angezeigt.

Betriebstemperatur einstellen

1. Die **SET**-Taste drücken. Die Anzeige blinkt auf.
2. Drücken Sie die Taste ▲ oder ▼, um die benötigte Temperatur aufzurufen.
3. Zum Speichern der Temperatur drücken Sie die Taste **SET**.



Manuelles Abtauen

Um den Abtauvorgang zu starten, die taste „aux“ 2 Sekunden lang gedrückt halten. Die Abtaulampe leuchtet auf. Der Abtauzyklus wird automatisch beendet.

Reinigung, Pflege und Wartung

- **Vor Reinigungsarbeiten stets zunächst das Gerät abschalten und den Netzstecker ziehen.**
- Den Schrank möglichst häufig innen reinigen.
- Keine Scheuermittel verwenden, da diese schädliche Rückstände hinterlassen können.
- Die Türdichtung mit warmem Seifenwasser reinigen.
- Nach dem Reinigen stets mit einem Tuch trocknen.
- Zur Reinigung verwendetes Wasser darf nicht durch die Ablauföffnung in die Auffangschale gelangen.
- Vorsicht beim Reinigen der Geräterückseite. Scharfe Kanten können zu Verletzungen führen.

Bei häufigem und längerem Öffnen der Türen bilden sich Kondenswasser und Eis.

Wenn Sie das Gerät außerhalb des empfohlenen Temperaturbereichs betreiben und es in der Nähe einer Wärmequelle aufstellen, erhöht sich ebenfalls die Menge an Eis und interner/externer Kondensation. Bei äußerer Kondensation wischen Sie die Oberfläche mit einem Tuch ab.

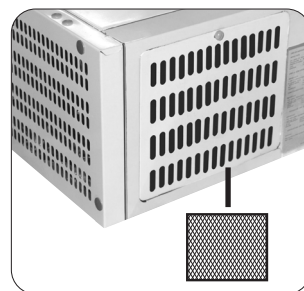
Übermäßige Vereisung führt zu längeren Laufzeiten, die den Energieverbrauch erhöhen und den Verschleiß der Komponenten beschleunigen.

Wenn die Dichtung beschädigt oder verformt ist, erhöht sich der Energieverbrauch. Um die Effizienz wiederherzustellen, die Dichtung ersetzen.

Blockieren Sie die Lüfter nicht und überschreiten Sie nicht die maximalen Belastungsgrenzen. Andernfalls wird die Luftverteilung beeinträchtigt und der Energieverbrauch erhöht.

Reinigung der Filter-Kondensator

- Der Kondensator ist Teil des Kühlsystems. Der Kondensator-Filter erfordert monatliche Reinigung.
- Trennen Sie Netzteil, bevor Oktober Regelmäßige Wartung.
- Wird der Kondensator nicht gereinigt, führt dies zu einer Erhöhung des Energieverbrauchs, einer Reduzierung der Leistung und Lebensdauer Ihres Polar-Gerätes und möglicherweise zum Erlöschen Ihrer Garantie.
- Diese Modelle haben einen abnehmbaren Filter, der kann mit einem Staubsauger gereinigt werden.



Störungssuche

Falls erforderlich, muss ein qualifizierter Techniker Reparaturen durchführen.

Störung	Vermutliche Ursache	Lösung
Das Gerät funktioniert nicht	Das Gerät ist nicht eingeschaltet	Prüfen, ob der Netzstecker in die Steckdose gesteckt wurde und das Gerät eingeschaltet ist
	Stecker und Kabel sind beschädigt	Stecker oder Leitung ersetzen
	Fehler Netzstromversorgung	Netzstromversorgung prüfen

Störung	Vermutliche Ursache	Lösung
Das Gerät lässt sich einschalten, aber die Temperatur ist zu hoch/niedrig	Zu viel Eis auf dem Verdampfer	Das Gerät abtauen
	Kondensator verstaubt	Reinigen Sie den Kondensator
	Türen sind nicht richtig geschlossen	Prüfen, ob die Türen geschlossen und die Dichtungen intakt sind
	Gerät befindet sich in der Nähe einer Wärmequelle, oder der Luftstrom zum Kondensator ist unterbrochen	Den Kühlschrank an einem geeigneteren Ort aufstellen
	Umgebungstemperatur ist zu hoch	Belüftung intensivieren oder Gerät an einem kühleren Ort aufstellen
	Ungeeignete Nahrungs-mittel werden im Gerät aufbewahrt	Einige heiße Nahrungsmittel herausnehmen oder Produkte, die den Lüfter blockieren, entfernen
	Gerät ist überlastet	Weniger Nahrungsmittel im Gerät lagern
Aus dem Gerät läuft Wasser aus	Das Gerät steht nicht gerade	Die Schraubfüße so regulieren, dass das Gerät eben steht (sofern zutreffend)
	Der Ablauf ist verstopft	Den Ablauf säubern
	Wasser kann nicht ablaufen	Den Boden des Geräts von Fremdstoffen reinigen (sofern zutreffend)
	Der Wasserbehälter ist beschädigt	Wenden Sie sich an einen qualifizierten Techniker
	Die Tropfschale fließt über	Die Tropfschale leeren (sofern zutreffend)
Das Gerät ist ungewöhnlich laut	Alle Muttern und Schrauben überprüfen und anziehen	Alle Muttern und Schrauben überprüfen und anziehen
	Das Gerät steht nicht eben oder stabil	Position überprüfen und bei Bedarf ändern

Technische Spezifikationen

Hinweis: Aufgrund unseres kontinuierlichen Verbesserungsprozesses können sich die Produktspezifikationen ohne Ankündigung.

Modell	Spannung	Leistung	Stromstärke	Temperaturbereich	Füllmenge	Kältemittelart / Gewicht (kg)	Abmessungen h x b x t mm	Gewicht (kg)
G608	220-240V~ 50Hz	150W	1A	2°C - 8°C	5 x Gastronorm-Behälter (1/4)	R600a (0.045kg)	435 x 1200 x 335	49
G609		150W	1A	2°C - 8°C	7 x Gastronorm-Behälter (1/4)	R600a (0.045kg)	435 x 1500 x 335	57
G610		150W	1A	2°C - 8°C	8 x Gastronorm-Behälter (1/4)	R600a (0.045kg)	435 x 1800 x 335	65
G611		230W	1.6A	2°C - 8°C	10 x Gastronorm-Behälter (1/4)	R600a (0.045kg)	435 x 2000 x 335	34
GD875		150W	1A	2°C - 8°C	3 x Gastronorm-Behälter (1/3) 1 x Gastronorm-Behälter (1/2)	R600a (0.045kg)	435 x 1200 x 395	28
GD876		150W	1A	2°C - 8°C	5 x Gastronorm-Behälter (1/3) 1 x Gastronorm-Behälter (1/2)	R600a (0.045kg)	435 x 1500 x 395	31
GD877		150W	1A	2°C - 8°C	8 x Gastronorm-Behälter (1/3)	R600a (0.045kg)	435 x 1800 x 395	35
GD878		230W	1.6A	2°C - 8°C	9 x Gastronorm-Behälter (1/3)	R600a (0.045kg)	435 x 2000 x 395	37

Elektroanschlüsse

Der Stecker muss in eine geeignete Steckdose gesteckt werden.

Das Gerät ist wie folgt verdrahtet:

- Stromführender Leiter (braun) an Klemme L
- Neutraleiter (blau) an Klemme N
- Erdleiter (grün/gelb) an Klemme E



Dieses Gerät muss geerdet sein.

Bei Fragen wenden Sie sich bitte an einen qualifizierten Elektriker.

Elektroisolierpunkte dürfen nicht blockiert werden. Bei einem Notstopp müssen diese Punkte jederzeit sofort zugänglich sein.

Entsorgung

Gemäß EU-Vorschriften müssen Kühlprodukte von Fachunternehmen entsorgt werden, die alle Gase, Metall- und Kunststoffbauteile entfernen oder recyceln.

Ihre Kommunalverwaltung kann Sie über die Entsorgung Ihres Geräts informieren. Kommunalbehörden sind nicht verpflichtet, gewerbliche Kühlgeräte zu entsorgen. Sie können Sie jedoch über lokale Annahmestellen informieren, die diese Geräte entsorgen.

Oder rufen Sie die POLAR-Helpline an. Wir verfügen über eine Liste nationaler Entsorger in den EU-Staaten.

Konformität

Das WEEE-Logo an diesem Produkt oder in der Dokumentation weist darauf hin, dass das Produkt nicht mit dem normalen Hausmüll entsorgt werden darf. Um potenziellen Gesundheits- bzw. Umweltschäden vorzubeugen, muss das Produkt durch einen zugelassenen und umweltverträglichen Recyclingprozess entsorgt werden. Ausführliche Informationen zur korrekten Entsorgung dieses Produkts erhalten Sie von Ihrem Produktlieferanten oder der für die Müllentsorgung in Ihrer Region zuständige Behörde.



Alle POLAR-Produkte werden strengen Tests unterzogen, um die Einhaltung von Normen und Spezifikationen internationaler und nationaler Behörden und unabhängiger Organisationen zu gewährleisten.



POLAR-Produkte dürfen durch folgendes Symbol gekennzeichnet werden:

Alle Rechte vorbehalten. Diese Anleitung darf ohne vorherige schriftliche Genehmigung von POLAR weder ganz noch teilweise in irgendeiner Form oder auf irgendeinem Wege - einschließlich elektronischer, mechanischer Verfahren, durch Fotokopieren, Aufnahme oder andere Verfahren - vervielfältigt oder übertragen werden.

Es werden alle Anstrengungen unternommen um sicherzustellen, dass alle Angaben bei der Drucklegung korrekt sind. POLAR behält sich jedoch das Recht vor, Spezifikationen ohne Vorankündigung zu ändern.

Suggerimenti per la sicurezza

- Posizionare il fabbricatore di ghiaccio su una superficie in piano e stabile.
- L'installazione e le eventuali riparazioni devono venire eseguite da un agente/tecnico qualificato. Non rimuovere i componenti o i pannelli di accesso dell'apparecchio.
- Verificare la conformità alle normative locali e nazionali di quanto segue:
 - Normativa antinfortunistica sul lavoro
 - Linee guida BS EN
 - Precauzioni antincendio
 - Normativa IEE sui circuiti elettrici
 - Norme di installazione
- NON utilizzare sistemi di lavaggio a getto o pressione per pulire l'apparecchio.
- Per esclusivo uso in ambienti chiusi.
- NON utilizzare l'apparecchio per conservare presidi medico-sanitari.
- Trasportare, immagazzinare e movimentare l'apparecchio sempre in posizione verticale e spostarlo mantenendone la base.
- Spegnerne e disconnettere l'alimentazione dell'unità prima di pulirla.
- Tenere lontano l'imballaggio dalla portata dei bambini. Smaltire l'imballaggio in conformità alle normative locali.
- Se danneggiato, il cavo di alimentazione deve venire sostituito da un agente POLAR o da un tecnico qualificato al fine di prevenire eventuali rischi.
- L'apparecchio non è destinato a essere utilizzato da persone (inclusi i bambini) con ridotte capacità fisiche, sensoriali o mentali, o prive della necessaria esperienza e conoscenza dell'apparecchio, che non abbiano ricevuto supervisione o istruzioni relative all'utilizzo dell'apparecchio dalle persone responsabili dello loro sicurezza.
- POLAR raccomanda che questo apparecchio venga periodicamente testato (almeno una volta all'anno) da una persona competente. I test dovrebbero includere, ma non solo: ispezione visiva, test di polarità, continuità di terra, continuità di isolamento e test funzionale.

Attenzione: Rischio di incendio

- Non conservare sostanze esplosive, come bombolette spray con propellente infiammabile in questo apparecchio.



Attenzione: Tenere libere tutte le aperture di ventilazione. L'unità non deve essere installata senza una ventilazione adeguata.

- **Attenzione:** non utilizzare dispositivi meccanici o altri mezzi per accelerare il processo di sbrinamento, diversa dal fabbricante raccomandato Quelli da.
- **Attenzione:** Non danneggiare il circuito refrigerante.
- **Attenzione:** Non usare apparecchi elettrici all'interno degli scomparti per la conservazione degli alimenti.

Descrizione dei prodotti

G608 - Banco refrigerato preparazione/servizio con piano di lavoro, 5 contenitori da 1/4 POLAR

G609 - Banco refrigerato preparazione/servizio con piano di lavoro, 7 contenitori da 1/4 POLAR

G610 - Banco refrigerato preparazione/servizio con piano di lavoro, 8 contenitori da 1/4 POLAR

G611 - Banco refrigerato preparazione/servizio con piano di lavoro, 10 contenitori da 1/4 POLAR

GD875 - Banco refrigerato preparazione/servizio con piano di lavoro, 3 contenitori da 1/3 + 1 contenitori da 1/2 POLAR

GD876 - Banco refrigerato preparazione/servizio con piano di lavoro, 5 contenitori da 1/3 + 1 contenitori da 1/2 POLAR

GD877 - Banco refrigerato preparazione/servizio con piano di lavoro, 8 contenitori da 1/3 POLAR

GD878 - Banco refrigerato preparazione/servizio con piano di lavoro, 9 contenitori da 1/3 POLAR

Introduzione

Leggere con attenzione il presente manuale. La manutenzione e l'utilizzo corretti di questo apparecchio consentiranno di ottenere le massime prestazioni da questo prodotto POLAR.

Contenuto dell'imballaggio

- | | |
|-----------------------------------|-------------------------|
| • Frigorifero o congelatore POLAR | • Staffe 7x |
| • Pannello in vetro superiore | • Gambi filettati 7x |
| • Pannello in vetro posteriore | • Viti 12x |
| • Pannelli in vetro laterali 2x | • Tappi 14x |
| • Manuale di istruzioni | • Separatori gastronorm |
| • Collari 6x | • Piedi regolabili 4x |

POLAR garantisce una qualità e un servizio impeccabili e assicura che al momento dell'imballaggio tutti i componenti forniti sono integralmente funzionanti e privi di difetti.

Nel caso siano rilevati danni risultanti dal trasporto del prodotto, rivolgersi immediatamente al rivenditore POLAR locale.

Installazione

Nota: Non per l'uso in furgoni o rimorchi, camion per il trasporto del cibo o veicoli simili.

Nota: se l'apparecchio è stato immagazzinato o spostato in posizione non verticale, lasciarlo in posizione verticale per circa 12 ore prima di metterlo in funzione. In caso di dubbio, osservare comunque questa precauzione.

1. Rimuovere l'apparecchio dall'imballaggio. Assicurarsi che la pellicola protettiva e rivestimenti in plastica siano interamente rimossi da tutte le superfici.
2. Per ottimizzare le prestazioni e la longevità, assicurarsi che sia mantenuta una distanza minima di 2,5 cm tra l'unità e le pareti e altri oggetti, con una distanza minima di 20 cm nella parte superiore. **NON POSIZIONARE MAI VICINO A UNA FONTE DI CALORE.**

Nota: prima di utilizzare l'apparecchio per la prima volta, pulire i ripiani e l'interno con acqua saponata e asciugare bene.

3. Mettere in piano l'apparecchio regolando i piedi.

Montaggio dei pannelli in vetro

1. Avvitare i collari al bordo dell'apparecchio.

Note: assicurarsi che il foro nel collare per il gambo filettato sia rivolto verso l'interno.

2. Inserire i due pannelli laterali nei collari, con i fori del vetro rivolti verso l'alto.

Nota: assicurarsi che il foro della vite più lontano dal bordo del pannello sia in corrispondenza della parte posteriore dell'apparecchio.

3. Avvitare un gambo filettato in ogni collare per fissare i pannelli.

Nota: assicurarsi che l'estremità morbida del gambo filettato sia l'estremità a contatto con il vetro.

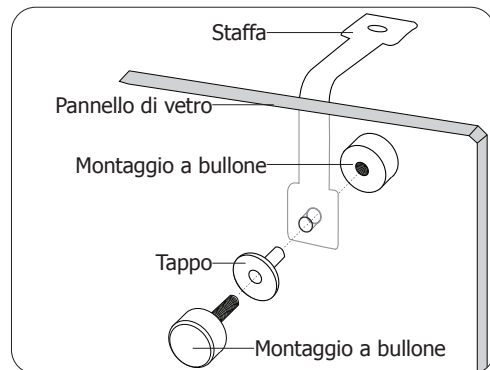
Non stringere troppo i grani poiché causano la rottura del vetro.

4. Inserire il pannello posteriore nei collari, con i fori del vetro rivolti verso l'alto.
5. Avvitare un gambo filettato in ogni collare per fissare il pannello.

6. Inserire i tappi in plastica in ognuno dei fori.
7. Avvitare le staffe all'interno di ogni pannello utilizzando i montaggi a bullone.

Nota: assicurarsi che l'estremità breve del montaggio a bullone si trovi sul lato esterno dei pannelli.

8. Posizionare il pannello superiore sulle staffe, assicurandosi che tutti i fori siano allineati.
9. Inserire i tappi e fissare il pannello superiore alle staffe utilizzando i montaggi a bullone.



Funzionamento

Conservazione cibo

Per avere i migliori risultati dallo strumento POLAR, seguire le istruzioni:

- Conservare alimenti nello strumento solamente quando ha raggiunto la corretta temperatura di funzionamento.
- Assicurarsi che i gastronorm siano pieni sempre, anche se sono inutilizzati o vuoti. Gli scomparti vuoti riducono di molto l'efficienza dello strumento.
- Usare le barre distanziatrici fornite per riempire gli spazi (non si richiede di supportare ogni teglia GN).
- Non ostruire le ventole all'interno dello strumento.

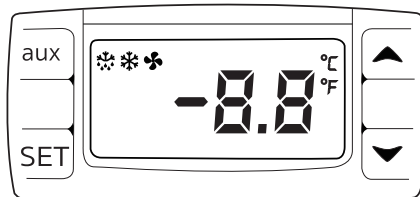
Nota: l'apparecchio non è destinato alla conservazione a lungo termine di alimenti.

Accensione

1. Assicurarsi che l'interruttore dell'alimentazione sia impostato su [O] e acceso alla presa.
2. Accendere l'alimentazione [I]. Viene visualizzata la temperatura corrente all'interno dell'apparecchiatura.

Impostazione della temperatura di esercizio

1. Tenere premuto il pulsante **SET** per 3 secondi. Il display lampeggia..
2. Premere i pulsanti ▲ or ▼ per visualizzare la temperatura richiesta.
3. Premere il pulsante **SET** per memorizzare la temperatura.



Sbrinamento manuale

Premere senza rilasciare il pulsante **aux** per 2 secondi per avviare lo sbrinamento. La spia di sbrinamento si accende. Il ciclo di sbrinamento si conclude automaticamente.

Pulizia e manutenzione

- **Prima di eseguire la pulizia, spegnere e scollegare l'alimentazione.**
- Pulire l'interno dell'apparecchio quanto più spesso possibile.
- Non utilizzare detergenti abrasivi in quanto possono lasciare residui nocivi.
- Pulire la tenuta della porta con acqua calda saponata.
- Asciugare sempre dopo la pulizia.
- Non permettere che l'acqua utilizzata per la pulizia penetri attraverso il foro di scarico nella vasca di evaporazione.
- Prestare attenzione durante la pulizia della parte posteriore dell'apparecchio. Gli attrezzi con bordi taglienti possono provocare tagli.

Con l'apertura frequente e prolungata delle porte si formano condensa e ghiaccio.

Anche il funzionamento al di fuori dell'intervallo di temperatura consigliato e la collocazione vicino a una fonte di calore aumentano la formazione di ghiaccio e di condensa interna/esterna. In caso di condensa esterna, pulire la superficie con un panno.

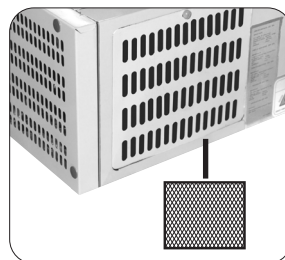
L'eccesso di ghiaccio provoca tempi di funzionamento più lunghi che aumentano il consumo energetico e il deterioramento dei componenti.

Se la guarnizione o la tenuta sono danneggiate o deformate, il consumo energetico aumenta. Per ripristinare l'efficienza, sostituire la guarnizione.

Non ostruire le ventole e non superare le linee di carico massimo, in quanto ciò comprometterebbe la distribuzione dell'aria e aumenterebbe il consumo energetico.

Pulizia del filtro condensatore

- Il condensatore è parte del sistema di refrigerazione. Il filtro del condensatore richiede una pulizia mensile.
- Scollegare sempre l'alimentazione prima di effettuare la manutenzione ordinaria.
- Non pulire il condensatore comporta un aumento del consumo energetico, una riduzione delle prestazioni e della vita utile dell'unità Polar e può quindi invalidare la garanzia.
- Questi modelli dispongono di un filtro removibile che può essere pulito con un aspirapolvere.



Risoluzione dei problemi

Se necessario, un tecnico qualificato deve eseguire le riparazioni.

Guasto	Probabile causa	Azione
L'apparecchio non funziona	L'apparecchio non è acceso	Controllare che l'apparecchio sia correttamente collegato e acceso
	La presa e il cavo sono danneggiati	Sostituire la spina o il cavo
	Guasto alimentazione di rete	Controllare l'alimentazione di rete

Guasto	Probabile causa	Azione
L'apparecchi si accende ma la temperatura è troppo alta o troppo bassa	Quantità eccessiva di ghiaccio nell'evaporatore	Sbrinare l'apparecchio
	Il condensatore è bloccato dalla polvere	Pulire il condensatore
	I portelli non sono chiusi in maniera appropriata	Controllare che i portelli siano chiusi e che le guarnizioni di tenuta non siano danneggiate
	L'apparecchio è posizionato in prossimità di una sorgente di calore oppure il flusso di aria al condensatore è interrotto	Spostare il frigorifero in una posizione più appropriata
	La temperatura ambientale è troppo alta	Aumentare la ventilazione oppure spostare l'apparecchio in una posizione più fresca
	Sono stati conservati nell'apparecchio cibi non appropriati	Rimuovere i cibi eccessivamente caldi o le ostruzioni della ventola
	L'apparecchio è sovraccarico	Ridurre la quantità dei cibi presenti nell'apparecchio
L'apparecchio perde acqua	L'apparecchio non è in posizione piana	Regolare i piedi al fine di mantenere in piano l'apparecchio (se pertinente)
	La bocca di scarico è bloccata	Pulire la bocca di scarico
	Il movimento dell'acqua verso lo scarico è ostruito	Pulire il pavimento dell'apparecchio (se pertinente)
	Il contenitore dell'acqua è danneggiato	Consultare un tecnico qualificato
	La vaschetta di raccolta dell'acqua di sbrinamento è troppo piena	Svuotare la vaschetta di raccolta dell'acqua di sbrinamento (se pertinente)
L'apparecchio presenta una rumorosità eccessiva	Dadi o viti allentati	Controllare e serrare tutti i dadi e le viti
	L'apparecchio non è stato installato in una posizione in piano o stabile	Controllare la posizione di installazione e modificarla se necessario

Specifiche tecniche

Nota: causa del nostro continuo processo di miglioramento, le specifiche del prodotto sono soggette a modifiche senza preavviso.

Modello	Tensione	Alimentazione	Corrente	Intervallo di temperatura	Capacità	Tipo di refrigerante / peso (kg)	Dimensioni h x l x p mm	Peso (kg)
G608	220-240V~50Hz	150W	1A	2°C - 8°C	5 x Contenitore gastronorm ¼	R600a (0.045kg)	435 x 1200 x 335	49
G609		150W	1A	2°C - 8°C	7 x Contenitore gastronorm ¼	R600a (0.045kg)	435 x 1500 x 335	57
G610		150W	1A	2°C - 8°C	8 x Contenitore gastronorm ¼	R600a (0.045kg)	435 x 1800 x 335	65
G611		230W	1.6A	2°C - 8°C	10 x Contenitore gastronorm ¼	R600a (0.045kg)	435 x 2000 x 335	34
GD875		150W	1A	2°C - 8°C	3 x Contenitore gastronorm 1/3 1 x Contenitore gastronorm 1/2	R600a (0.045kg)	435 x 1200 x 395	28
GD876		150W	1A	2°C - 8°C	5 x Contenitore gastronorm 1/3 1 x Contenitore gastronorm 1/2	R600a (0.045kg)	435 x 1500 x 395	31
GD877		150W	1A	2°C - 8°C	8 x Contenitore gastronorm 1/3	R600a (0.045kg)	435 x 1800 x 395	35
GD878		230W	1.6A	2°C - 8°C	9 x Contenitore gastronorm 1/3	R600a (0.045kg)	435 x 2000 x 395	37

Cablaggi elettrici

La spina deve venire collegata a una presa di rete appropriata.

L'apparecchio ha i seguenti cablaggi:

- Filo sotto tensione (colore marrone) a terminale L
- Filo del neutro (colore blu) a terminale N
- Filo di terra (colore verde/giallo) a terminale E

Questa apparecchiatura deve essere collegata a terra.



In caso di dubbi, consultare un elettricista qualificato.

I punti di isolamento elettrico devono essere liberi da ostruzioni. In caso di emergenza, i punti devono essere facilmente raggiungibili qualora sia necessario scollegarli.

Smaltimento

Le normative UE prevedono che lo smaltimento dei prodotti di refrigerazione sia eseguito da aziende specializzate nella rimozione o nel riciclaggio di tutti i gas e dei componenti in metallo e plastica.

Rivolgersi all'ente locale incaricato per informazioni sullo smaltimento di questo apparecchio. Gli enti locali non hanno l'obbligo di procedere allo smaltimento di apparecchi di refrigerazione commerciali ma sono in grado di fornire suggerimenti sulla modalità di smaltimento di tali apparecchi.

In alternativa, chiamare la helpline telefonica di POLAR per ricevere informazioni dettagliate sulle aziende di smaltimento nella UE.

Conformità

Il logo WEEE riportato su questo prodotto o sulla relativa documentazione indica che il prodotto non può essere smaltito come normale rifiuto domestico. Per evitare possibili danni alla salute e/o all'ambiente, il prodotto deve venire smaltito utilizzando una procedura di riciclaggio approvata e sicura per l'ambiente. Per ulteriori informazioni su come smaltire in maniera corretta questo prodotto, contattare il fornitore del prodotto o l'ente locale responsabile per lo smaltimento dei rifiuti.



I componenti POLAR sono stati sottoposti a un rigoroso collaudo ai fini della conformità agli standard e alle specifiche normative previste dalle autorità internazionali, indipendenti e federali.

I prodotti POLAR sono autorizzati a esporre il seguente simbolo:



Tutti i diritti riservati. È vietata la riproduzione o la trasmissione in alcuna forma, elettronica, meccanica, mediante fotocopiatura o altro sistema di riproduzione, di qualsiasi parte delle presenti istruzioni senza la previa autorizzazione scritta di POLAR.

Le informazioni contenute sono corrette e accurate al momento della stampa, tuttavia POLAR si riserva il diritto di modificare le specifiche senza preavviso.

Consejos de Seguridad

- Colóquela sobre una superficie plana, estable.
- Un agente de servicio / técnico cualificado debería llevar a cabo la instalación y cualquier reparación si se precisa. No retire ningún componente ni panel de servicio de este producto.
- Consulte las Normas Locales y Nacionales correspondientes a lo siguiente:
 - Legislación de Seguridad e Higiene en el Trabajo
 - Códigos de Práctica BS EN
 - Precauciones contra Incendios
 - Normativos de Cableado de la IEE
 - Normativas de Construcción
- No utilice dispositivos de lavado de chorro / presión para limpiar el aparato.
- Sólo adecuado para uso en interiores.
- NO utilice este aparato para almacenar existencias médicas.
- Siempre debe transportar, almacenar y manipular el aparato verticalmente y moverlo cogiéndolo de la base.
- Desconecte la máquina y desenchúfela del suministro eléctrico de la unidad siempre antes de llevar a cabo la limpieza.
- Mantenga el embalaje lejos del alcance de los niños.
Deshágase del embalaje de acuerdo con las normativas de las autoridades locales.
- Si el cable eléctrico está dañado, debe ser reemplazado por un agente de POLAR o un técnico cualificado recomendado para evitar cualquier riesgo.
- Este aparato no debe ser utilizado por personas (niños incluidos) que tengan limitadas sus capacidades físicas, sensoriales o mentales que no tengan experiencia y conocimientos, a menos que estén bajo la supervisión o hayan recibido instrucciones relativas al uso del aparato a cargo de una persona responsable de su seguridad.
- POLAR recomienda que este aparato debe ser periódicamente probado (al menos anualmente) por una Persona Competente. La prueba debe incluir, pero no debe estar limitado a: Inspección visual, Prueba de polaridad, Toma a tierra, continuidad de aislamiento y prueba Funcional.

Precaución: Riesgo de Incendio

- No guarde sustancias explosivas, tales como latas de aerosol con un propelente inflamable en este aparato.



Advertencia: Mantenga los orificios de ventilación libres de obstrucciones. Asegúrese de que la unidad disponga de una ventilación adecuada.

- **Advertencia:** No utilice dispositivos mecánicos u otros medios para acelerar el proceso de descongelación, que no sea el fabricante recomienda Aquellos por.
- **Advertencia:** No dañe el circuito refrigerante.
- **Advertencia:** No utilice aparatos eléctricos dentro de los compartimentos de almacenamiento de alimentos del aparato.

Descripción del Producto

Frigoríficos para preparados/aperitivos de mostrador tipo contenedor G608 - POLAR 5 x 1/4
 Frigoríficos para preparados/aperitivos de mostrador tipo contenedor G609 - POLAR 7 x 1/4
 Frigoríficos para preparados/aperitivos de mostrador tipo contenedor G610 - POLAR 8 x 1/4
 Frigoríficos para preparados/aperitivos de mostrador tipo contenedor G611 - POLAR 10 x 1/4
 Frigoríficos para preparados/aperitivos de mostrador tipo contenedor GD875 - POLAR 3 x 1/3 + 1 x 1/2 GN
 Frigoríficos para preparados/aperitivos de mostrador tipo contenedor GD876 - POLAR 5 x 1/3 + 1 x 1/2 GN
 Frigoríficos para preparados/aperitivos de mostrador tipo contenedor GD877 - POLAR 8 x 1/3
 Frigoríficos para preparados/aperitivos de mostrador tipo contenedor GD878 - POLAR 9 x 1/3

Introducción

Tómese unos minutos para leer este manual. El correcto mantenimiento y manejo de esta máquina proporcionará el mejor funcionamiento posible de su producto POLAR.

Contenido del Conjunto

- Frigorífico o Congelador POLAR
- Panel de cristal superior
- Panel de cristal trasero
- Paneles de cristal laterales x 2
- Manual de instrucciones
- Casquillos x 6
- Soportes x 7
- Tornillos de cabeza hendida x 7
- Tornillos x 12
- Enchufes x 14
- Barra adaptadora Gastranorm
- Patas ajustables x 4

POLAR se enorgullece de su calidad y servicio y asegura que en el momento del embalaje, el contenido se suministró con plena funcionalidad y sin ningún defecto.

Si encontrara algún daño resultante del transporte, póngase en contacto inmediatamente con su distribuidor POLAR.

Instalación

Nota: No debe utilizarse en furgonetas o remolques, camiones de alimentos o vehículos similares.

Nota: Si el aparato no se ha almacenado o transportado en posición vertical, déjelo en posición vertical durante aproximadamente 12 horas antes del funcionamiento. Si tiene alguna duda, deje el aparato en posición vertical.

1. Desembale el aparato. Asegúrese de que todos los revestimientos y las láminas de plástico de protección se hayan quitado totalmente de todas las superficies.
2. Para optimizar el rendimiento y la longevidad, asegúrese de que se mantenga un espacio libre mínimo de 2,5 cm entre la unidad y las paredes y otros objetos, con un espacio mínimo de 20 cm en la parte superior. **NUNCA UBICAR AL LADO DE UNA FUENTE DE CALOR.**

Nota: Antes de utilizar el aparato por primera vez, limpie los estantes y el interior con agua jabonosa y luego séquelos bien.

3. Nivele el aparato ajustando la pata enroscada.

Montaje de los Paneles de Cristal

1. Enrosque los casquillos al armazón del aparato.

Nota: asegure el agujero en el casquillo de modo que las superficies de los tornillos de cabeza hendida miren hacia dentro.

2. Introduzca los dos paneles laterales en los casquillos, con los agujeros en el cristal en la parte superior.

Nota: asegúrese de que el agujero del tornillo más allá del borde del panel se desplace hasta la parte trasera del aparato.

3. Enrosque un tornillo de cabeza hendida en cada uno de los collares para fijar los paneles.

Nota: Asegúrese de que el extremo suave del tornillo de cabeza hendida sea el extremo de contacto con el cristal.

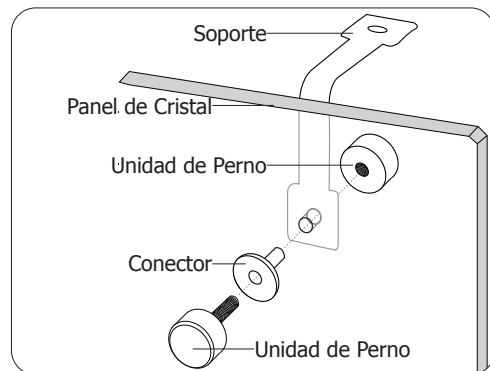
No apriete demasiado los tornillos prisioneros, ya que resultará en la rotura del vidrio.

4. Introduzca el panel trasero en los casquillos, con los agujeros en el cristal en la parte superior.
5. Enrosque un tornillo de cabeza hendida en cada uno de los collares para fijar el panel.

6. Introduzca las clavijas de plástico en cada uno de los agujeros.
7. Enrosque los soportes en el interior de cada una de las láminas de cristal mediante las unidades de perno.

Nota: asegúrese de que el extremo corto de la unidad de perno esté en la parte exterior de los paneles.

8. Coloque el panel superior sobre los soportes, asegurándose de que todos los paneles estén alineados.
9. Inserte las clavijas y acople el panel superior a los soportes con las unidades de perno.



Funcionamiento

Almacenamiento de alimentos

Para obtener los mejores resultados de su aparato POLAR, siga estas instrucciones:

- Almacene los productos alimenticios en el aparato sólo cuando haya alcanzado la temperatura de funcionamiento correcta.
- Asegúrese de que las estanterías internas estén llenas en todo momento, incluso si no se utilizan o están vacías. Las estanterías vacías reducirán en gran medida la eficiencia del aparato.
- Utilice las barras espaciadoras proporcionadas para llenar cualquier hueco (no se requiere que apoyen cada una de las bandejas GN).
- No obstruya los ventiladores dentro del aparato.

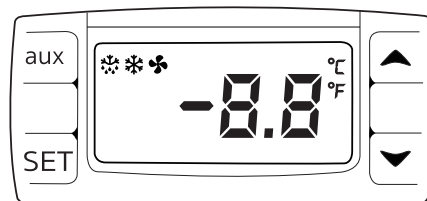
Nota: El aparato no está diseñado para el almacenamiento prolongado de alimentos.

Activación

1. Asegúrese de que el interruptor de activación esté ajustado en [O] y conéctelo a la toma.
2. Conecte la Alimentación [I]. Se muestra la temperatura actual en el aparato.

Ajuste de la Temperatura de Funcionamiento

1. Mantenga presionado el botón **SET** durante 3 segundos. El visualizador se enciende.
2. Pulse el botón ▲ o los botones ▼ para visualizar la temperatura deseada.
3. Pulse el botón **SET** para fijar la temperatura.



Descongelacion manual

Pulse y mantenga pulsado el boton **aux** durante 2 segundos para que empiece la descongelacion . La luz de descongelacion se iluminare. El ciclo de descongelación finalizará automáticamente.

Limpieza, Cuidado y Mantenimiento

- **Desconecte la máquina y desenchúfela de la toma eléctrica antes de llevar a cabo la limpieza.**
- Limpie el interior del aparato con la mayor frecuencia posible.
- No utilice productos de limpieza abrasivos. Estos pueden dejar residuos nocivos.
- Limpie el sello de la puerta con agua tibia y jabón.
- Limpie el sello de la puerta con agua tibia y jabonosa.
- No permita que el agua utilizada en la limpieza pase por el agujero de desagüe hacia el recipiente de evaporación.
- Vaya con cuidado al limpiar la parte trasera del aparato. Los bordes afilados pueden cortar.

La condensación y el hielo se formarán con la apertura frecuente y prolongada de las puertas. El funcionamiento fuera del rango de temperatura recomendado y la colocación junto a una fuente de calor también aumentarán la cantidad de hielo y la condensación interna/ externa. Si se produce condensación externa, limpie la superficie con un paño.

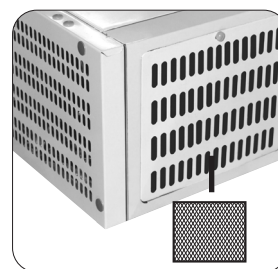
El exceso de hielo provocará tiempos de funcionamiento más largos que aumentarán el consumo de energía y el deterioro de los componentes.

Si la junta o el sello están dañados o deformados, aumentará el consumo de energía. Para restablecer la eficiencia, sustituya la junta.

No obstruya los ventiladores ni exceda los niveles de carga máxima. Hacerlo afectaría a la distribución del aire y aumentaría el uso energético.

Limpieza del filtro de condensador

- El condensador es parte del sistema de refrigeración. El filtro condensador requiere una limpieza mensual.
- Desconecte siempre la fuente de alimentación antes de llevar a cabo mantenimiento rutinario.
- No limpiar el condensador aumentará el consumo energético, reducirá el rendimiento y la vida útil de su unidad Polar y, por lo tanto, invalidará la garantía.
- Estos modelos tienen un filtro extraíble que se puede limpiar con una aspiradora.



Resolución de problemas

Un técnico calificado debe realizar las reparaciones si es necesario.

Fallo	Causa probable	Acción
El aparato no funciona	El aparato no está conectado	Compruebe que el aparato esté enchufado correctamente y conectado
	El enchufe y el cable están dañados	Reemplace el enchufe o el cable
	Fallo de la fuente de alimentación de red	Compruebe la fuente de alimentación de red

Fallo	Causa probable	Acción
El aparato se activa, pero la temperatura es demasiado alta / baja	Hay demasiado hielo en el evaporador	Descongele el aparato
	Condensador bloqueado con polvo	Limpie el condensador
	Las puertas no están bien cerradas	Compruebe que las puertas estén cerradas y las juntas no estén dañadas
	El aparato se encuentra cerca de una fuente de calor o el caudal de aire hacia el condensador está siendo interrumpido	Traslade el frigorífico a un lugar más adecuado
	La temperatura ambiente es demasiado alta	Aumente la ventilación o traslade el aparato a un lugar más fresco
	Se guardan alimentos no adecuados en el aparato	Retire cualquier exceso de alimentos calientes u obstrucciones del ventilador
	El aparato está sobrecargado	Reduzca la cantidad de alimentos guardados en el aparato
Hay fugas de agua en el aparato	El aparato no está bien nivelado	Ajuste las patas enroscadas para nivelar el aparato (si es aplicable)
	La salida de descarga está bloqueada	Limpie la salida de descarga
	El movimiento del agua hacia el desagüe está obstruido	Limpie la base del aparato (si es aplicable)
	El contenedor de agua está dañado	Consulte a un técnico cualificado
	La bandeja de goteo está rebosando	Vacíe la bandeja de goteo (si es aplicable)
El aparato es inusualmente ruidoso	Tuerca / tornillo flojo	Compruebe y apriete todos los tornillos y las tuercas
	El aparato no se ha instalado en una posición estable o nivelada	Compruebe la posición de la instalación y cámbiela si es necesario

Especificaciones Técnicas

Nota: Debido a nuestro proceso de mejora continua, las especificaciones del producto están sujetas a cambios sin previo aviso.

Modelo	Tensión	Potencia	Corriente	Margen de Temperaturas	Capacidad (litros)	Tipo de refrigerante / peso (kg)	Dimensiones a x a x p mm	Peso (kg)
G608	220-240V~50Hz	150W	1A	2°C - 8°C	5 x Recipiente Gastronorm 1/4	R600a (0.045kg)	435 x 1200 x 335	49
G609		150W	1A	2°C - 8°C	7 x Recipiente Gastronorm 1/4	R600a (0.045kg)	435 x 1500 x 335	57
G610		150W	1A	2°C - 8°C	8 x Recipiente Gastronorm 1/4	R600a (0.045kg)	435 x 1800 x 335	65
G611		230W	1.6A	2°C - 8°C	10 x Recipiente Gastronorm 1/4	R600a (0.045kg)	435 x 2000 x 335	34
GD875		150W	1A	2°C - 8°C	3 x Recipiente Gastronorm 1/3 1 x Recipiente Gastronorm 1/2	R600a (0.045kg)	435 x 1200 x 395	28
GD876		150W	1A	2°C - 8°C	5 x Recipiente Gastronorm 1/3 1 x Recipiente Gastronorm 1/2	R600a (0.045kg)	435 x 1500 x 395	31
GD877		150W	1A	2°C - 8°C	8 x Recipiente Gastronorm 1/3	R600a (0.045kg)	435 x 1800 x 395	35
GD878		230W	1.6A	2°C - 8°C	9 x Recipiente Gastronorm 1/3	R600a (0.045kg)	435 x 2000 x 395	37

Cableado Eléctrico

El enchufe tiene que conectarse a una toma eléctrica adecuada.

Este aparato está conectado de la forma siguiente:

- Cable cargado (de color marrón) al terminal marcado como L
- Cable neutro (de color azul) al terminal marcado como N
- Cable de tierra (de color verde / amarillo) al terminal marcado como E

Este aparato debe conectarse a una toma de tierra.



Si tiene alguna duda, consulte a un electricista cualificado.

Los puntos de aislamiento eléctrico deben mantenerse libres de cualquier obstrucción. En caso de precisarse una desconexión de emergencia, deben estar disponibles de forma inmediata.

Desecho

Las normativas de la UE requieren que los productos de refrigeración sean desechados por compañías especializadas que extraigan o reciclen todos los gases, componentes metálicos y de plástico.

Consulte a su autoridad local de recogida de residuos a la hora de desechar su aparato. Las autoridades locales no están obligadas a eliminar los equipos de refrigeración comerciales pero pueden ofrecer consejo sobre cómo desechar los equipos localmente.

Otra opción es llamar a la línea de asistencia de POLAR para pedir información sobre las compañías nacionales de desechos de la UE.

Cumplimiento

El logotipo WEEE en este producto o su documentación indica que no debe eliminarse como un residuo doméstico. Para ayudar a prevenir posibles daños a la salud humana y/ o el medio ambiente, el producto debe eliminarse en un proceso de reciclaje aprobado y medioambientalmente seguro. Para obtener más información sobre cómo eliminar correctamente este producto, póngase en contacto con el proveedor del mismo o la autoridad local responsable de la eliminación de residuos en su zona.



Las piezas POLAR han pasado estrictas pruebas de productos para cumplir las especificaciones y normas reguladoras establecidas por las autoridades internacionales, independientes y federales.



Los productos POLAR han sido autorizados para llevar el símbolo siguiente:

Reservados todos los derechos. Puede estar prohibida la reproducción o transmisión en cualquier forma o por cualquier medio electrónico, mecánico, de fotocopiado, registro o de otro tipo, de cualquier parte de estas instrucciones sin la autorización previa y por escrito de POLAR.

Se ha hecho todo lo posible para garantizar que todos los datos son correctos en el momento de su publicación; sin embargo, POLAR se reserva el derecho a modificar las especificaciones sin que medie notificación previa.

DECLARATION OF CONFORMITY

• Conformiteitsverklaring • Déclaration de conformité • Konformitätserklärung • Dichiarazione di conformità •
• Declaración de conformidad

Equipment Type • Uitrustingstype • Type d'équipement • Gerätetyp • Tipo di apparecchiatura • Tipo de equipo			Model • Modèle • Modell • Modello • Modelo		
G-Series Countertop Prep Fridge					
5 x ¼ GN	(with stainless steel lids) 5 x ¼ GN	3 x 1/3 GN & 1 x ½ GN	G608 (& -E -A)	FA854 (& -E -A)	GD875 (& -E -A)
6 x ¼ GN	6 x ¼ GN	4 x 1/3 GN & 1 x ½ GN	AB090 (& -E -A)	DA680 (& -E -A)	GH261 (& -E -A)
7 x ¼ GN	7 x ¼ GN	5 x 1/3 GN & 1 x ½ GN	G609 (& -E -A)	FA855 (& -E -A)	GD876 (& -E -A)
8 x ¼ GN	8 x ¼ GN	8 x 1/3 GN	G610 (& -E -A)	FA856 (& -E -A)	GD877 (& -E -A)
10 x ¼ GN	10 x ¼ GN	9 x 1/3 GN	G611 (& -E -A)	FA857 (& -E -A)	GD878 (& -E -A)
Application of Territory Legislation & Council Directives(s) Toepassing van Europese Richtlijn(en) • Application de la/des directive(s) du Conseil • Anwendbare EU- Richtlinie(n) • Applicazione delle Direttive • Aplicación de la(s) directiva(s) del consejo		Machinery Directive 2006/42/EC Supply of Machinery (Safety) Regulations 2008 (BS) EN 60335-1:2012 +A11:2014 +A13:2017 (BS) EN 60335-2-89:2010 +A1:2016 +A2:2017 (BS) EN 62233:2008 Electro-Magnetic Compatibility (EMC) Directive 2014/30/EU - recast of 2004/108/EC Electromagnetic Compatibility Regulations 2016 (S.I. 2016/1091) (BS) EN IEC 55014-1:2021 (BS) EN IEC 55014-2:2021 (BS) EN IEC 61000-3-2: 2019 +A1:2021 (BS) EN 61000-3-3: 2013 +A1:2019 +A2:2021 Restriction of Hazardous Substances Directive (RoHS) 2015/863 amending Annex II to Directive 2011/65/EU Restriction of the Use of Certain Hazardous Substances in Electrical and Electronic Equipment Regulations 2012 (S.I. 2012/3032)		Electrical Safety IEC 60335-1:2010 +A1:2013 +A2:2016 IEC 60335-2-89:2010 +A1:2012 +A2:2015 Electromagnetic Compatibility EN IEC 55014-1:2021 EN IEC 55014-2:2021 EN IEC 61000-3-2: 2019 +A1:2021 EN 61000-3-3: 2013 +A1:2019 +A2:2021	
Manufacturer Name • Naam fabrikant • Nom du producteur • Name des Herstellers • Nome del produttore • Nombre del fabricante			Polar		

I, the undersigned, hereby declare that the equipment specified above conforms to the above Territory Legislation, Directive(s) and Standard(s).

Ik, de ondergetekende, verklaar hierbij dat de hierboven gespecificeerde uitrusting goedgekeurd is volgens de bovenstaande Richtlijn(en) en Standaard(en).

Je soussigné, confirme la conformité de l'équipement cité dans la présente à la / aux Directive(s) et Norme(s) ci-dessus

Ich, der/die Unterzeichnende, erkläre hiermit, dass das oben angegebene Gerät der/dien oben angeführten Richtlinie(n) und Norm(en) entspricht.

Il sottoscritto dichiara che l'apparecchiatura di sopra specificata è conforme alle Direttive e agli Standard sopra riportati.

El abajo firmante declara por la presente que el equipo arriba especificado está en conformidad con la(s) directiva(s) y estándar(es) arriba mencionadas.

Date • Data • Date • Datum • Data •

Fecha

Signature • Handtekening •

Signature • Unterschrift Firma •

Firma

11th April 2023

Full Name • Volledige naam • Nom

et prénom • Vollständiger Name •

Nome completo • Nombre completo

Position • Functie • Fonction •

Position • Qualifica • Posición

Manufacturer Address • Adres

fabrikant • Adresse du producteur •

Anschrift des Herstellers

produttore • Dirección del

fabricante • Morada do fabricante

DocuSigned by: <i>Ashley Hooper</i> B39382C9FD9C478...	DocuSigned by: <i>Eoghan Donnellan</i> D352874F7FAB460...	DocuSigned by: <i>Brendan Denmeade</i> D052C5837EB7465...
Ashley Hooper	Eoghan Donnellan	Brendan Denmeade
Technical & Quality Manager	Commercial Manager/ Importer	Commercial Manager/ Responsible Supplier
Fourth Way, Avonmouth, Bristol, BS11 8TB United Kingdom	Unit 9003, Blarney Business Park, Blarney, Co. Cork Ireland	15 Badgally Road, Campbelltown NSW 2560





UK	+44 (0)845 146 2887
Eire	
NL	040 – 2628080
FR	01 60 34 28 80
BE-NL	0800-29129
BE-FR	0800-29229
DE	0800 – 1860806
IT	N/A
ES	901-100 133

POLAR



<http://www.polar-refrigerator.com/> 

G608-G611_GD875-GD878_ML_A5_v9_2024/07/05