



Beer Dispenser

Instruction manual



(EN)	Beer dispenser	2	(DE)	Bierzapfanlage	35
	<u>Instruction manual</u>			<u>Bedienungsanleitung</u>	
(NL)	Biertap	13	(IT)	Distributore di Birra	46
	<u>Handleiding</u>			<u>Manuale di istruzioni</u>	
(FR)	Distributeur de bière	24	(ES)	Dispensador de cerveza	57
	<u>Mode d'emploi</u>			<u>Manual de instrucciones</u>	

**Model • Modèle • Modell • Modello • Modelo • Malli:
GE632/GE633**

Safety Instructions

- Position on a flat, stable surface.
- A service agent/qualified technician should carry out installation and any repairs if required. Do not remove any components or service panels on this product.
- Consult Local and National Standards to comply with the following:
 - Health and Safety at Work Legislation
 - BS EN Codes of Practice
 - Fire Precautions
 - IEE Wiring Regulations
 - Building Regulations
- DO NOT use jet/pressure washers to clean the appliance.
- DO NOT use the appliance outside.
- DO NOT store food in the appliance.
- DO NOT use this appliance to store medical supplies.
- DO NOT allow oil or fat to come into contact with the plastic components or door seal. Clean immediately if contact occurs.
- DO NOT store products on top of the appliance.
- Always carry, store and handle the appliance in a vertical position and move by holding the base of the appliance.
- Always switch off and disconnect the power supply to the unit before cleaning.
- Keep all packaging away from children. Dispose of the packaging in accordance with the regulations of local authorities.
- If the power cord is damaged, it must be replaced by a POLAR agent or a recommended qualified technician in order to avoid a hazard.
- This appliance can be used by children aged from 8 years and above and persons with reduced physical, sensory or mental capabilities or lack of experience and knowledge if they have been given supervision or instruction concerning use of the appliance in a safe way and understand the hazards involved.

- Children shall not play with the appliance.
- Cleaning and user maintenance shall not be made by children without supervision.
- Keep the appliance and its cord out of reach of children less than 8 years.
- The appliance is not intended to be operated by means of an external timer or separate remote-control system.
- Polar recommend that this appliance should be periodically tested (at least annually) by a Competent Person. Testing should include, but not be limited to: Visual Inspection, Polarity Test, Earth Continuity, Insulation Continuity and Functional Testing.
- POLAR recommend that this product is connected to a circuit protected by an appropriate RCD (Residual Current Device).

Caution: Risk of Fire



- Do not store explosive substances such as aerosol cans with a flammable propellant in this appliance.



Warning: Keep all ventilation openings clear of obstruction. Unit should not be boxed in without adequate ventilation.

- **Warning:** Do not use mechanical devices or other means to accelerate the defrosting process, other than those recommended by the manufacturer.
- **Warning:** Do not damage the refrigerant circuit.
- **Warning:** Do not use electrical appliances inside the food storage compartments of the appliance.

Product Description

GE632 - Direct Draw Beer Dispenser (1 Keg 1 Tap)

GE633 - Direct Draw Beer Dispenser (2 Keg 2 Tap)

Introduction

Please take a few moments to carefully read through this manual. Correct maintenance and operation of this machine will provide the best possible performance from your POLAR product.

Pack Contents

The following is included:

- Beer Dispenser
- Drip pan
- Beer tower assembly
- CO₂ line
- Tee joint for CO₂ lines
- Screws and washers
- Multi-function spanner
- Instruction manual

POLAR prides itself on quality and service, ensuring that at the time of unpacking the contents are supplied fully functional and free of damage.

Should you find any damage as a result of transit, please contact your POLAR dealer immediately.

Installation

Not for use in vans or trailers, food trucks or similar vehicles.

If the unit has not been stored or moved in an upright position, let it stand upright for approximately 12 hours before operation. If in doubt allow to stand.

1. Remove the appliance from the packaging. Make sure that all protective plastic film and coatings are thoroughly removed from all surfaces.
2. To optimize performance and longevity, ensure a minimum clearance of 2.5cm is maintained between the unit and walls and other objects, with a minimum 20cm clearance on the top.
NEVER LOCATE NEXT TO A HEAT SOURCE.



Note: Before using the appliance for the first time, clean the interior with soapy water then dry well.

Location

- The appliance is intended for indoor use only.
- Be sure the location chosen has a floor strong enough to support the total weight of the cabinet and contents. A fully loaded unit can weigh as much as 450kg. Reinforce the floor as necessary to provide maximum loading.
- For the most efficient refrigeration, be sure to provide good air circulation inside and outside.

Ventilation

- Be sure that the unit has access to ample air. Avoid hot corners and locations near stoves and ovens.
- Should it become necessary to lay the unit on its side or back for any reason, allow at least 12 hours before start-up so as to allow compressor oil to flow back to the sump. Failure to meet this requirement can cause compressor failure and unit damage.

Levelling

- A level cabinet will perform better because the doors will line up with the frames properly, the cabinet will not be subject to undue strain and the contents inside the cabinet will not move around.
- Use a level to make sure the unit is level from front to back and side to side.
- Units supplied with legs will have adjustable bullet feet to make the necessary adjustments. If the unit is supplied with castors, set the brakes on the castors to keep the appliance in position.
- Ensure the floor where the unit is to be located is level.

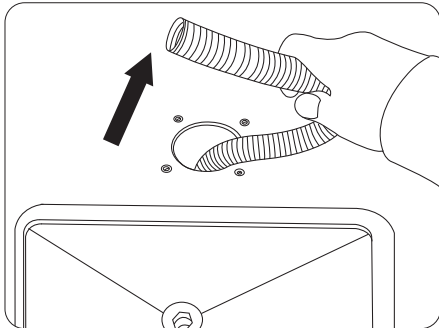


Caution:
Failure to follow all the due installation instructions will invalidate your guarantee.

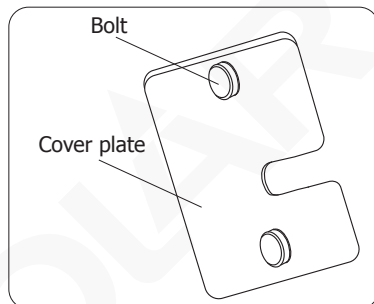
Connection

Connecting the beer tower

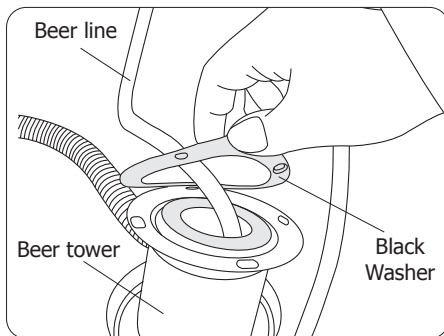
1. Pull out the air conduct hose from the hole in the cabinet surface.



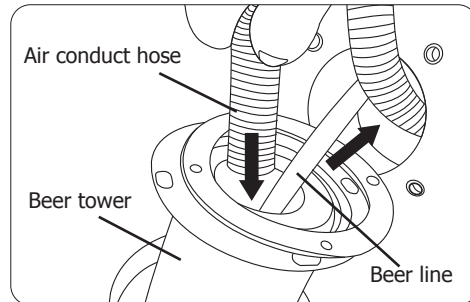
2. Unscrew the 2 bolts to release the cover plate which is located on the cabinet's inner surface.



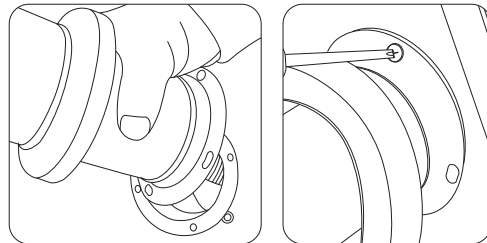
3. Thread the big black washer through the beer line that is coming from the beer tower.



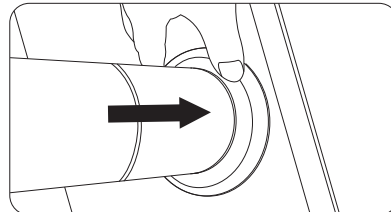
4. Insert the beer line into the cabinet via the hole. Then insert the air conduct hose into the beer tower.



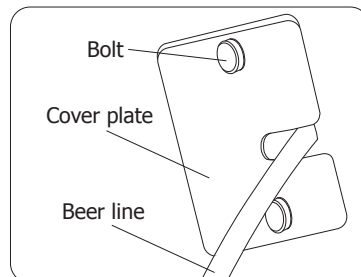
5. Align all holes and install the 4 screws to fix the beer tower in place.



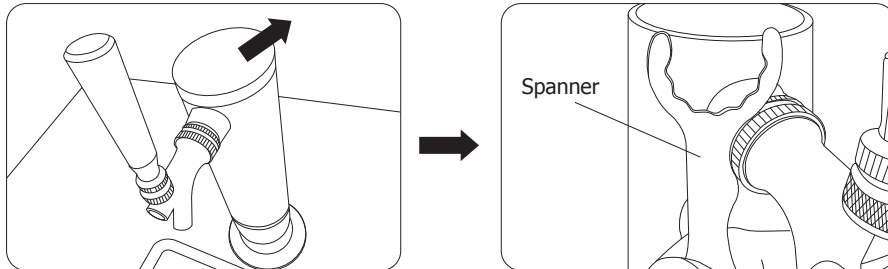
6. Slide the beer tower's shade downward fully.



7. Re-attach and fix the cover plate to the cabinet's inner surface with bolts.



8. In case the beer tower is not stable, you can adjust the tap as needed. Open the top cap of the beer tower first. Then use the supplied spanner to adjust the tap.

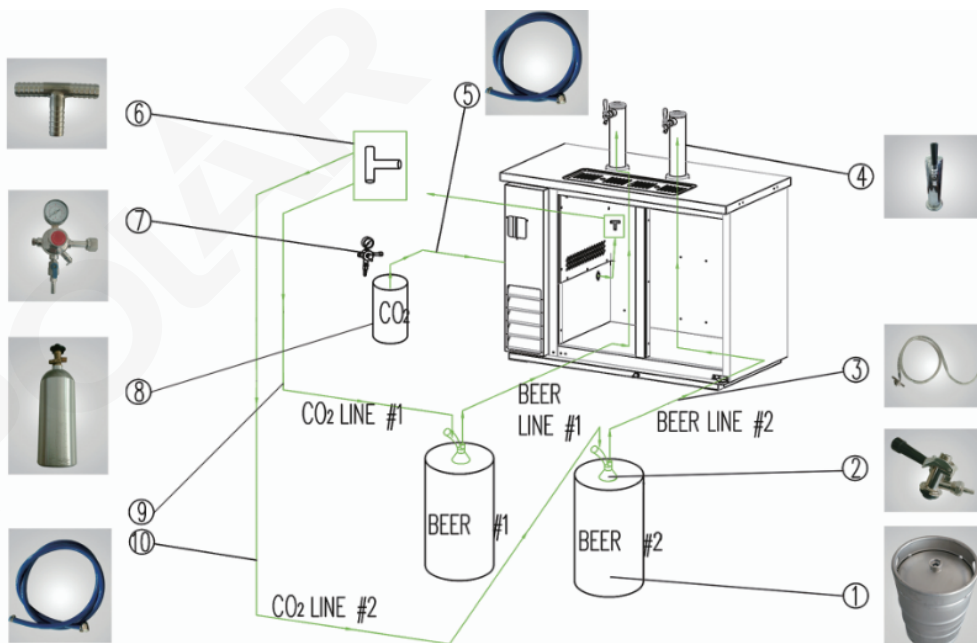


Connecting the CO₂ cylinder and beer keg



Note: The diagram below is for reference only. For actual connections, please follow the manufacturer's instructions supplied with the CO₂ cylinder and beer keg. All connections should be done by professionals only.

Be gentle when locating CO₂ cylinder and beer keg into the cabinet to avoid any damage.



- | | |
|----------------------------|---|
| 1. Beer keg (Not supplied) | 6. Tee Joint for CO ₂ lines |
| 2. Keg tap | 7. CO ₂ regulator (Not supplied) |
| 3. Beer line | 8. CO ₂ cylinder (Not supplied) |
| 4. Beer tower | 9. CO ₂ line (#1) |
| 5. CO ₂ line | 10. CO ₂ line (#2) |

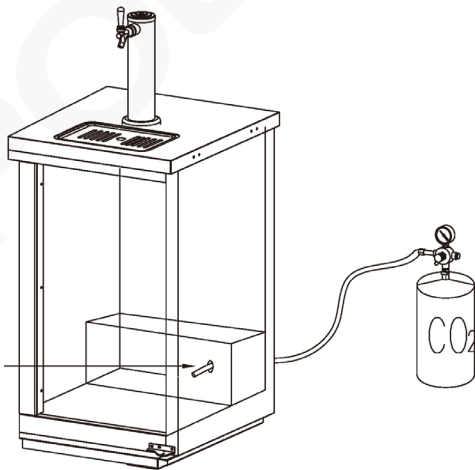


Warning:

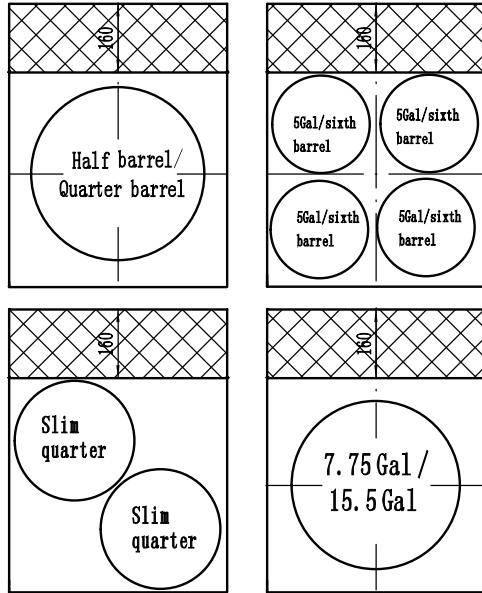
- Make sure that all fittings in system are tight. Always keep the CO₂ cylinder in vertical position. The recommended pressure for the CO₂ system is 8-10 psi.
- Always handle the CO₂ cylinder with care. Never lay flat or drop!
- Handle all pressure system components with care. Do not use excessive pressures. Be sure instructions are understood thoroughly. If in doubt, contact your dealer/distributor for explanation.
- Filled CO₂ cylinders are potentially dangerous because of the pressure they contain. If you are unfamiliar with their use or the use of the CO₂ regulator, seek information from your local distributor, or your local beverage man before proceeding.



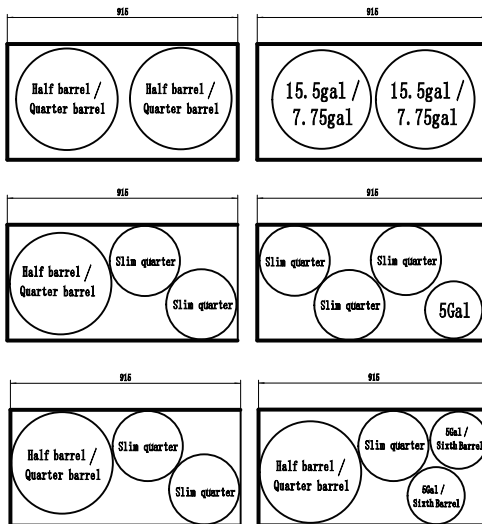
When necessary to connect a remote CO₂ cylinder, use below diagram for reference. For actual connections, ensure to follow the manufacturer's instructions supplied with the CO₂ cylinder.



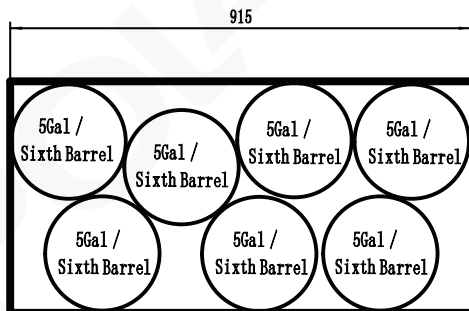
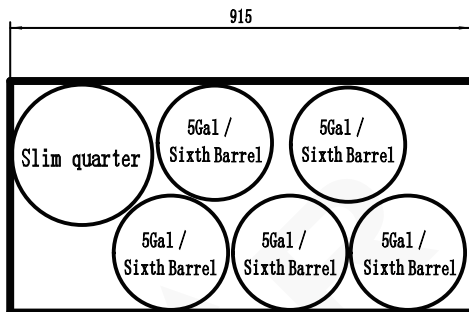
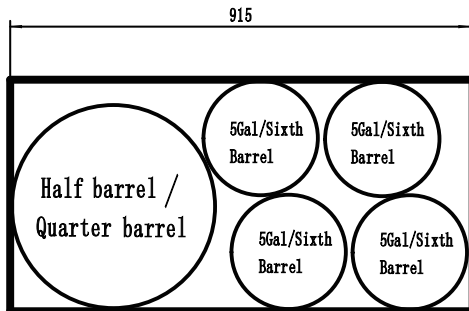
Beer keg layout: Model GE632



Beer keg layout: Model GE633



Beer keg layout: Model GE633

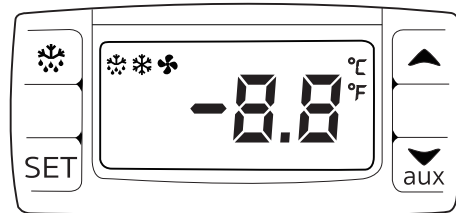


Operation

Control Panel

For GE632: The control panel is located on the rear wall inside the cabinet.

For GE633: The control panel is located on the front of the appliance.



To lock/unlock the keyboard, press ▲ and ▼ together for more than 3 seconds. Display will flash POF (locked) / PON (unlocked).

Turn On

1. Close the door(s) of the appliance.
2. Connect the appliance to a mains power supply.

Set the Operating Temperature

1. Hold the **SET** button for 3 seconds. The value of the current set point will be displayed.
2. Press the ▲ or ▼ button to display the required temperature.
3. Press the **SET** button to store the temperature.

Manual Defrost

Press and hold the defrost button ❄️ for 2 seconds to begin a manual defrost. The defrost light illuminates.

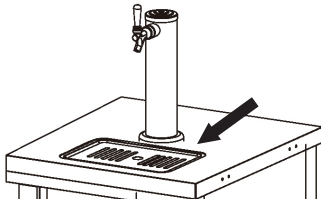
The defrost cycle will end automatically.

Lock/Unlock the Doors

Use the keys provided to lock/unlock the door.

Serving

- Before serving, ensure to locate the drip tray(s) in place.



- Pull the tap toward you to begin pouring.
- Raise the tap handle to close the tap.

Cleaning, Care & Maintenance



Switch off and disconnect from the power supply before cleaning and maintenance.

- Warm, soapy water is recommended for cleaning. Cleaning agents may leave harmful residues. Wipe the exterior with a damp cloth.
- Empty and clean the drip trays regularly.
- A POLAR agent or qualified technician should carry out repairs if required.

Cleaning the cabinet

The interior and exterior can be cleaned using soap and warm water. If this is not sufficient, try ammonia and water or a non-abrasive liquid cleaner. When cleaning the exterior, always rub with the "grain" of the stainless steel to avoid marring the finish.

Do not use an abrasive cleaner because it will scratch the stainless steel and plastic and can damage the breaker strips and gaskets.

Cleaning the Condenser Coil

The condenser coil requires regular cleaning, with the recommended frequency of every 90 days. In some instances, you may find there is a large amount of debris and dust or grease accumulated prior to the 90-day period. Thus the condenser coil should be cleaned more frequently.

If the buildup on the coil consists of only light dust and debris the condenser coil can be cleaned with a simple brush. Heavier dust buildup may require a vacuum or even compressed air to blow through the condenser coil.

If heavy grease is present, there are de-greasing agents available for refrigeration use and specifically for the condenser coils. The condenser coil may require a spray with the de-greasing agent and then blown through with compressed air.

Failure to maintain a clean condenser coil can initially cause high temperatures and excessive run times, continuous operation with dirty or clogged condenser coils can result in compressor failures. Neglecting the condenser coil cleaning procedures will void any warranties associated with the compressor or cost to replace the compressor.

In order to maintain proper refrigeration performance, the condenser fins must be cleaned of dust, dirt and grease regularly. It is recommended that this be done at least every 3 months. If conditions are such that the condenser is totally blocked, the frequency of cleaning should be increased. Clean the condenser with a vacuum cleaner or stiff brush. If extremely dirty, a commercially available condenser cleaner may be required.

Stainless Steel Care

To maintain the stainless steel exterior of your Polar item, please consider the following information:

Never:

- Use abrasive Scourers or scrubbing pads, etc.
- Use Chlorinated or acidic detergents
- Allow anything e.g. food, dirt, cleaning chemicals to remain on the surface for longer than necessary, clean them off right away.
- Allow the surface to remain wet.

Do:

- Clean often.
- Use soft Cloths or plastic Scourers.
- Rub with the grain of the metal, rather than across it.
- Use detergents and polish designed for cleaning Stainless Steel.
- Ensure that the cleaning products are washed off fully and that the steel is left dry.

Gasket Maintenance

Gaskets require regular cleaning to prevent mould and mildew buildup and also to keep the elasticity of the gasket.

Gasket cleaning can be done with the use of warm soapy water. Avoid full strength cleaning products on gaskets as this can cause them to become brittle and prevent proper seals. Also, never use sharp tools or knives to scrape or clean the gasket which could possibly tear the gasket and rip the bellows.

Gaskets can easily be replaced and do not require the use of tools or authorized service persons. The gaskets are "Dart" style and can be pulled out of the grove in the door and new gaskets can be "pressed" back into place.

Doors/Hinges

Over time and with heavy use, doors the hinges may become loose. If it is noticed that the door is beginning to sag, it may become necessary to tighten the screws that mount the hinge brackets to the frame of the unit. If the doors are loose or sagging this can cause the hinge to pull out of the frame which may damage both the doors and the door hinges. In some cases this can require qualified service agents or maintenance personnel.

Drain Maintenance

Each unit has a drain located inside the unit which removes the condensation from the evaporator coil and evaporates it at an external condensate evaporator pan. The drain may become loose or even disconnected resulting from moving or bumping the drain.

If you notice excessive water accumulation on the inside of the unit, be sure the drain tube is connected from the evaporator housing to the condensate evaporator drain pan.

If water is collected underneath the unit, you may need to check the condensate evaporator drain tube to make sure it is still located inside the drain pan.

The levelling of the unit is important as the units are designed to drain properly when on a level surface. If your floor is not level this can also cause drain problems. Make sure all drain lines are free of obstructions, or blocked drain lines will cause water to back up and overflow the drain pans.

Troubleshooting

A qualified technician must carry out repairs if required.

Fault	Probable Cause	Solution
The appliance is not working	The unit is not switched on	Check unit plugged in correctly and switched on
	Plug or lead is damaged	Replace Plug or lead
	Fuse in the plug has blown	Replace the fuse
	Mains power supply fault	Check mains power supply
Cabinet temperature is too Warm	Doors are not shut properly	Check doors are shut and seals are not damaged
	Appliance is located near a heat source or air flow to the condenser is being interrupted	Move the appliance to a more suitable location
	Ambient temperature is too high	Increase ventilation or move appliance to a cooler position
	Insufficient airflow to the fans	Remove any blockages to the fans
	The set temperature is too high	Set a lower temperature
	Low refrigerant level	Consult a qualified Technician
Condensation on the Cabinet and/or floor	Gasket not sealing well	Clean, repair, or replace the gasket as necessary

Technical Specifications

Note: Due to our continuing program of research and development, the specifications herein may be subject to change without notice.

Model	Voltage	Power	Current	Temperature Range	Refrigerant	Dimensions H x W x D mm	Weight (kg)
GE632	230V~ 50Hz	150W	1.1A	2°C ~ 8°C	R600a (55g)	1312 x 612 x 810	63
GE633	230V~ 50Hz	250W	1.6A	2°C ~ 8°C	R290 (95g)	1438 x 1247 x 620	97

Electrical Wiring

POLAR appliances are supplied with a 3 pin BS1363 plug and lead.

The plug is to be connected to a suitable mains socket.

POLAR appliances are wired as follows:

- Live wire (coloured brown) to terminal marked L
- Neutral wire (coloured blue) to terminal marked N
- Earth wire (coloured green/yellow) to terminal marked E

This appliance must be earthed.



If in doubt consult a qualified electrician.

Electrical isolation points must be kept clear of any obstructions. In the event of any emergency disconnection being required they must be readily accessible.

Disposal

EU regulations require refrigeration product to be disposed of by specialist companies who remove or recycle all gasses, metal and plastic components.

Consult your local waste collection authority regarding disposal of your appliance. Local authorities are not obliged to dispose of commercial refrigeration equipment but may be able to offer advice on how to dispose of the equipment locally.

Alternatively call the POLAR helpline for details of national disposal companies within the EU.

Compliance

The WEEE logo on this product or its documentation indicates that the product must not be disposed of as household waste. To help prevent possible harm to human health and/or the environment, the product must be disposed of in an approved and environmentally safe recycling process. For further information on how to dispose of this product correctly, contact the product supplier, or the local authority responsible for waste disposal in your area.



POLAR parts have undergone strict product testing in order to comply with regulatory standards and specifications set by international, independent, and federal authorities.



POLAR products have been approved to carry the following symbol:

All rights reserved. No part of these instructions may be produced or transmitted in any form or by any means, electronic, mechanical, photocopying, recording or otherwise, without the prior written permission of POLAR.

Every effort is made to ensure all details are correct at the time of going to press, however, POLAR reserve the right to change specifications without notice.

Veiligheidstips

- Plaatsen op een vlakke en stabiele ondergrond.
- De installatie en eventuele reparaties zijn door een servicetechnicus/vaktechnicus uit te voeren. Verwijder geen componenten of servicepanelen van dit product.
- Raadpleeg en volg de plaatselijke en nationale regelgeving op m.b.t. tot het volgende:
 - Wetgeving van gezondheid en veiligheid op de werkplaats
 - Werkregels
 - Brandpreventie
 - IEE bekabelingsnormen
 - Bouwverordeningen
- Dit product NIET reinigen met spuit-/drukreinigers.
- Uitsluitend geschikt voor gebruik binnenshuis.
- Bewaar GEEN voedsel in het apparaat.
- Dit product NIET gebruiken voor de berging van medische producten.
- Laat NIET toe dat olie of vet in contact komt met plastic componenten of deurafdichtingen. Onmiddellijk reinigen indien dit wel gebeurt.
- DO NOT store products on top of the appliance.
- Dit product altijd in een verticale positie vervoeren, opbergen en gebruiken. Het product aan de kastbasis vervoeren.
- Alvorens dit product te reinigen dient men altijd de stroomvoorziening uit te schakelen.
- Laat verpakkingsmateriaal niet binnen handbereik van kinderen. Verpakkingsmateriaal in overeenstemming met de regelgeving van de plaatselijke overheden als afval laten verwerken.
- Indien de stroomkabel beschadigd raakt, dient men deze door een POLAR technicus of een aanbevolen vaktechnicus te laten vervangen om gevaarlijke situaties te verhinderen.

- Dit apparaat mag worden gebruikt door kinderen vanaf 8 jaar oud indien ze gepaste instructies hebben gekregen zodat ze het apparaat op een veilige manier kunnen gebruiken en op de hoogte zijn van de gevaren die het gebruik van het apparaat met zich meebrengt.
- Laat kinderen niet met het apparaat spelen.
- Schoonmaak en onderhoud gebruiker Mogen niet worden gemaakt door kinderen zonder toezicht.
- Houd het apparaat en snoer buiten het bereik van kinderen die jonger dan 8 jaar oud zijn.
- Het toestel dient er niet voor bediend te worden via een externe timer of apart besturingssysteem op afstand.
- POLAR beveelt aan dat dit apparaat periodiek (minstens jaarlijks) door een bevoegde persoon wordt getest. Tests moeten omvatten, maar zijn niet beperkt tot: visuele inspectie, polariteit, aardings continuïteit (klasse I-apparatuur), isolatie continuïteit en functionele test.

Voorzichtig: Risico bij open Vuur



- Heeft explosieve stoffen zoals spuitbussen niet slaan met een brandbaar drijfgas in dit apparaat.



Waarschuwing: Hou alle ventilatieopeningen vrij van obstakels. De eenheid mag niet ingesloten worden zonder geschikte ventilatie.

- **Waarschuwing:** mechanische apparaten of andere middelen niet gebruiken om het ontdooien te versnellen, met uitzondering van de fabrikant aanbevolen die door.
- **Waarschuwing:** het koelcircuit niet beschadigen.
- **Waarschuwing:** Gebruik geen elektrische apparaten binnen het voedsel opbergvakken van het apparaat.

Productbeschrijving

GE632 - Biertap met directe tap (1 vat 1 kraan)

GE633 - Biertap met directe tap (2 vaten 2 kranen)

Inleiding

Neem de tijd en lees deze handleiding aandachtig door. Een correct gebruik en onderhoud van deze machine waarborgt de beste prestatie van uw POLAR product.

Verpakkingsinhoud

De verpakking bevat het volgende:

- Bierdispenser
- Opvangbak
- Biertoren montage
- CO₂-slang
- T-verbingsstuk voor CO₂-slangen
- Schroeven en sluitringen
- Multi-funcionele steeksleutel
- Handleiding

POLAR is trots op de haar productkwaliteit en dienstverlening en controleer de inhoud van de verpakkingen, tijdens de verpakkingsfase, op functionaliteit en schade.

Mocht u product door transport zijn beschadigd, neem dan onmiddellijk contact op met uw POLAR dealer.

Installatie

Opmerking: Niet voor gebruik in bestelwagens of aanhangwagens, foodtrucks of soortgelijke voertuigen.

Opmerking: indien het apparaat niet in een rechtopstaande positie is opgeslagen of vervoerd, dient men het product 12 uur vóór gebruik in de rechtopstaande positie te plaatsen. Bij twijfel dient men het product in een rechtopstaande positie te plaatsen.

1. Haal het product uit de verpakking. Zorg ervoor dat u de beschermingsfolie en -lagen van alle oppervlakken heeft verwijderd.
2. Om de prestaties en levensduur te optimaliseren, dient u ervoor te zorgen dat er minimaal 2,5 cm afstand wordt gehouden tussen de unit en muren en andere objecten, met een minimale vrije ruimte van 20 cm aan de bovenkant. **PLAATS NOOIT NAAST EEN WARMTEBRON.**

Opmerking: Voordat u het apparaat voor het eerst gebruikt, moet u de binnenkant schoonmaken met zeepwater en vervolgens goed afdrogen.

Locatie

- Het apparaat is uitsluitend bedoeld voor gebruik binnenshuis.
- Zorg ervoor, dat de gekozen locatie een vloer heeft, die sterk genoeg is om het totale gewicht van de bierkast en de inhoud te dragen. Een volledig geladen apparaat kan tot 450 kg wegen. Verstevig de vloer, indien nodig, voor een maximale belasting.
- Voor de meest efficiënte koeling moet zowel binnen als buiten voor een goede luchtcirculatie worden gezorgd.

Ventilatie

- Zorg ervoor, dat het apparaat toegang heeft tot voldoende lucht. Vermijd hete hoeken en plekken in de buurt van fornuizen en ovens.
- Als het noodzakelijk is om het apparaat op zijn kant of achterover te leggen, moet u het apparaat minstens 12 uur voor het opstarten laten liggen, zodat de compressorolie naar het carter kan terugstromen. Als u dit niet doet, kan de compressor kapotgaan en kan het apparaat beschadigd raken.

Waterpas maken

- Een waterpas geplaatste bierkast zal beter presteren, omdat de deurtjes goed op het frame aansluiten, de bierkast niet onnodig wordt belast en de inhoud in de bierkast niet zal kunnen verschuiven.
- Gebruik een waterpas om ervoor te zorgen dat de bierkast van voor tot achter en van links tot rechts waterpas staat.
- Apparaten, die met poten worden geleverd, hebben verstelbare poten met lagers om de nodige aanpassingen te kunnen maken. Als het apparaat met zwenkwielen wordt geleverd, stel dan de remmen op de zwenkwielen in om het apparaat op zijn plaats te houden.
- Zorg ervoor, dat de vloer, waar het apparaat moet komen te staan, waterpas is.

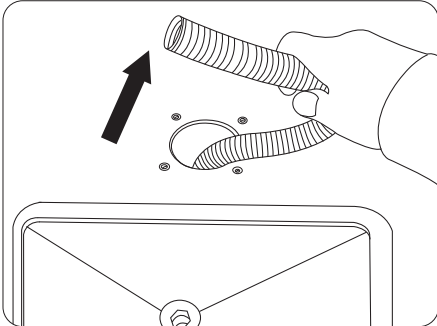


Opmerking: Als u niet alle montagevoorschriften opvolgt, vervalt uw garantie.

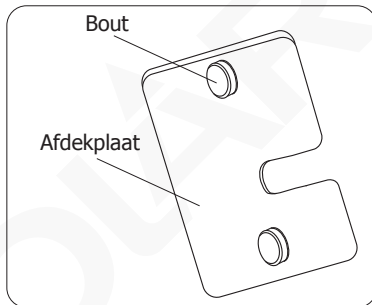
Aansluiting

Het aansluiten van de biertoren

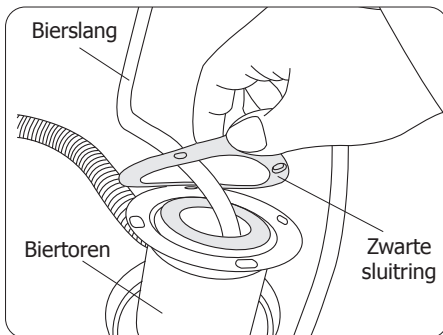
1. Trek de luchtgeleidings slang uit het gat in het oppervlak van de bierkast.



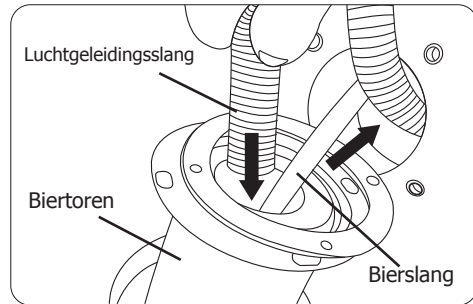
2. Schroef de 2 bouten los om de afdekplaat los te maken, die zich aan de binnenkant van de bierkast bevindt.



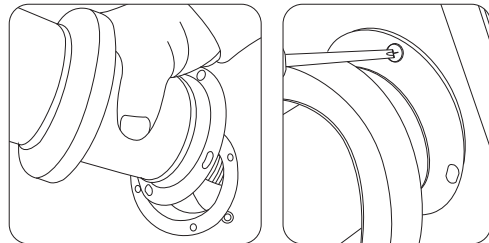
3. Haal de grote zwarte sluitring door de bierslang, die uit de biertoren komt.



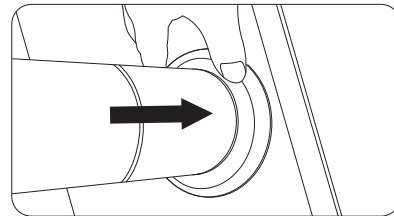
4. Steek de bierslang via het gat in de bierkast. Steek vervolgens de luchtgeleidings slang in de biertoren.



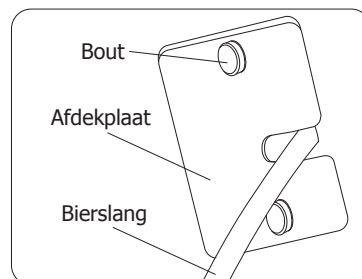
5. Lijn alle gaten uit en installeer de 4 schroeven om de biertoren op zijn plaats te bevestigen.



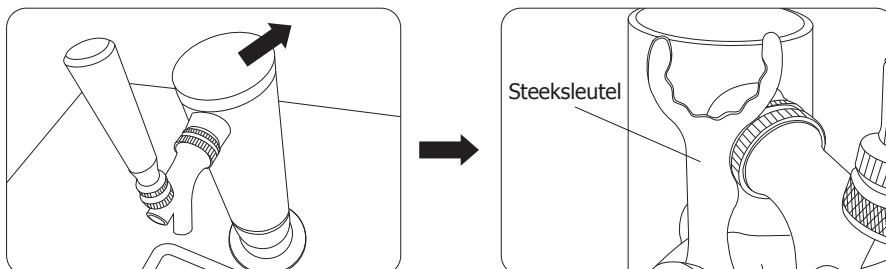
6. Schuif de kap van de biertoren volledig naar beneden.



7. Bevestig de afdekplaat met bouten opnieuw aan de binnenkant van de kast.



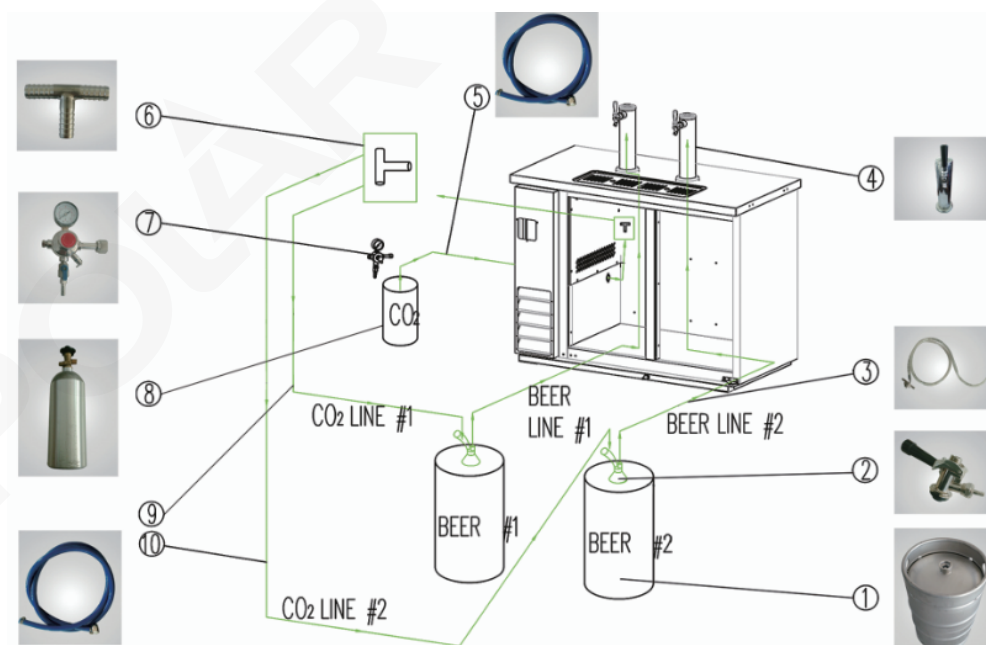
8. Als de biertoren niet stabiel staat, kunt u naar wens het tapkraantje aanpassen. Open eerst de bovenste dop van de biertoren. Gebruik vervolgens de bijgeleverde steeksleutel om het tapkraantje af te stellen.



Het aansluiten van de CO₂-fles en het biervat



Toelichting: Het onderstaande schema dient alleen ter referentie. Voor de daadwerkelijke aansluitingen dient u de instructies van de fabrikant te volgen, die bij de CO₂-fles en het biervat zijn geleverd. Alle aansluitingen mogen alleen door professionals worden uitgevoerd. Wees voorzichtig bij het plaatsen van de CO₂-fles en het biervat in de bierkast om schade te voorkomen.



- | | |
|-------------------------------|---|
| 1. Biervat (Niet meegeleverd) | 6. T-verbingsstuk voor CO ₂ -slangen |
| 2. Tapkraantje | 7. CO ₂ -drukregelaar (Niet meegeleverd) |
| 3. Bierslang | 8. CO ₂ -fles (Niet meegeleverd) |
| 4. Biertoren | 9. CO ₂ -slang (#1) |
| 5. CO ₂ -slang | 10. CO ₂ -slang (#2) |

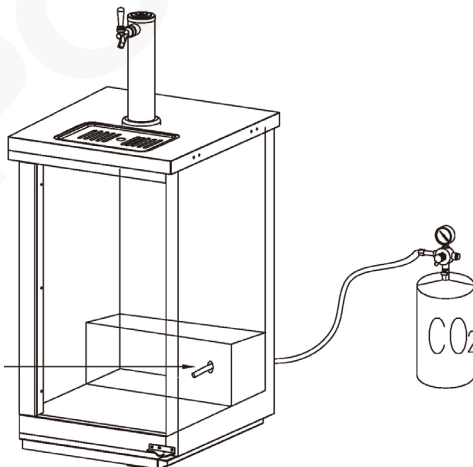


Waarschuwing:

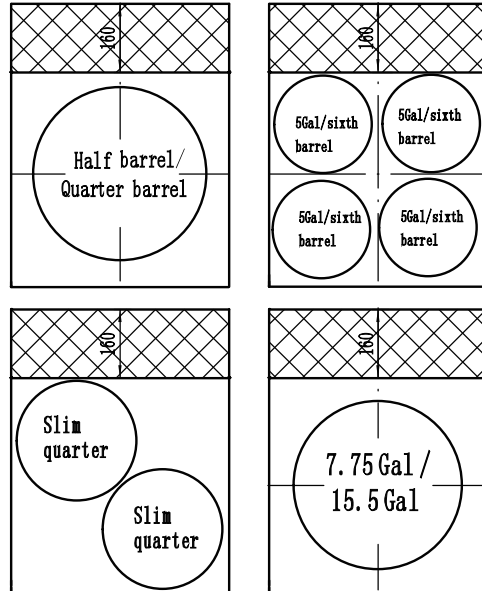
- Zorg ervoor, dat alle fittingen in het systeem goed vastzitten. Houd de CO₂-fles altijd in verticale positie. De aanbevolen druk voor het CO₂-systeem ligt tussen de 8 en 10 psi.
- Ga altijd voorzichtig met de CO₂-fles om. Nooit plat neerleggen of laten vallen!
- Ga voorzichtig met alle onderdelen van het druksysteem om. Gebruik geen overmatige druk. Zorg ervoor dat de instructies door en door worden begrepen. Neem bij twijfel contact op met uw dealer / distributeur voor uitleg.
- Gevulde CO₂-flessen zijn potentieel gevaarlijk vanwege de druk, die ze bevatten. Indien u niet vertrouwd bent met het gebruik ervan of met het gebruik van de CO₂-drukregelaar, vraag dan om informatie bij uw plaatselijke distributeur of bij uw plaatselijke slijterij alvorens verder te gaan.



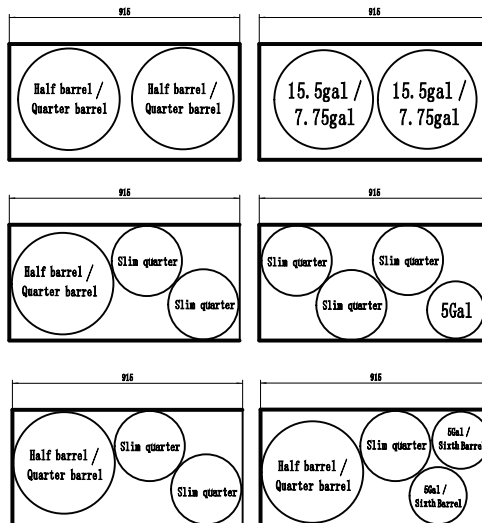
Gebruik het onderstaande schema als referentie als het nodig is om een externe CO₂-fles aan te sluiten. Zorg ervoor, dat u voor daadwerkelijke aansluitingen de instructies van de fabrikant opvolgt, die bij de CO₂-fles zijn geleverd.



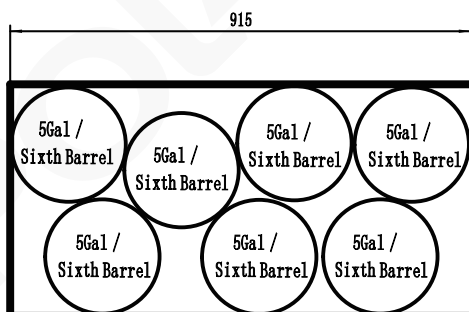
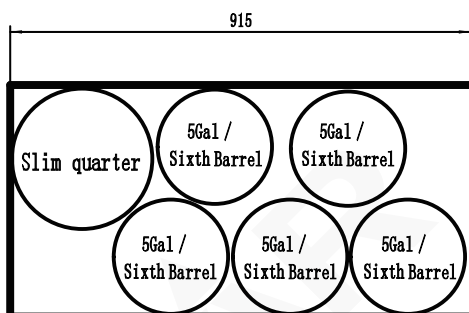
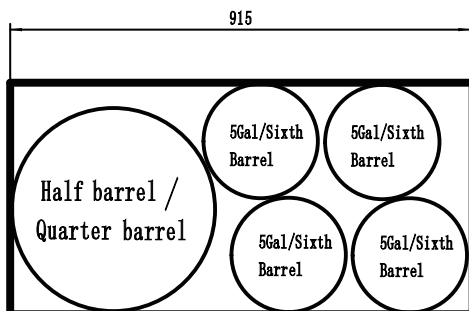
Lay-out van het biervat: Model GE632



Lay-out van het biervat: Model GE633



Lay-out van het biervat: Model GE633

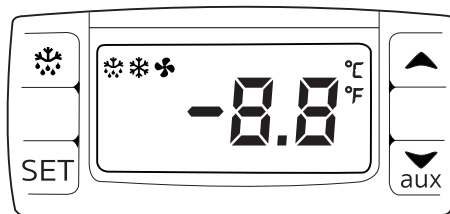


Bediening

Bedieningspaneel

Voor GE632: Het bedieningspaneel bevindt zich op de achterwand in de bierkast.

Voor GE633: Het bedieningspaneel bevindt zich aan de voorzijde van het apparaat.



Te ontgrendelen / vergrendelen van het toetsenbord drukt en samen gedurende 3 seconden. Knippert PON (Unlocked) / POF (gesloten).

Aanzetten

1. Sluit de deur van het apparaat.
2. Sluit het apparaat aan op de stroomvoorziening.

Werktemperatuur instellen

1. Houd de **SET** toets gedurende 3 seconden ingedrukt. De waarde van het huidige instelpunt wordt weergegeven.
2. Druk op de of knoppen om de vereiste temperatuur weer te geven.
3. Druk op de **SET** knop om de temperatuurwaarde op te slaan.

Handmatig ontdooien

De knop indrukken en gedurende 2 seconden ingedrukt houden om ontdooiing te starten. Het ontdooiingslampje gaat aan.

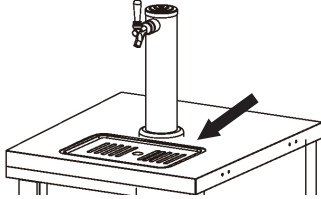
De ontdooicyclus eindigt automatisch.

Vergrendelen/ontgrendelen van deuren

Gebruik de meegeleverde sleutels om de deur te vergrendelen/ontgrendelen.

Het tappen

- Zorg ervoor dat de opvangbak(ken) op zijn plaats zit(ten) alvorens te tappen.



- Trek het tapkraantje naar u toe om te beginnen met schenken.
- Til de kraanhendel op om het tapkraantje te sluiten.

Reiniging, Verzorging & Onderhoud

Voordat u met reiniging en onderhoud begint, schakel het apparaat uit en trek de stekker uit het stopcontact.

- Voor het reinigen wordt warm zeepwater aanbevolen. Reinigingsmiddelen kunnen schadelijke resten achterlaten. Veeg de buitenkant met een vochtige doek af.
- Leeg en reinig de opvangbakken regelmatig.
- Een POLAR vertegenwoordiger of een gekwalificeerde monteur dient, indien nodig, reparaties uit te voeren.

Reiniging van de bierkast

De binnen- en buitenkant kunnen met zeep en warm water worden gereinigd. Als dit niet voldoende is, probeer dan ammoniak en water of een niet-schurend vloeibaar reinigingsmiddel. Wrijf bij het reinigen van de buitenkant altijd met de "nerf" van het roestvrij staal mee om beschadiging van de lakafwerking te voorkomen.

Gebruik geen schuurmiddel, omdat dit krassen op het roestvrij staal en plastic veroorzaakt en de stroomaansluitingen en pakkingen kan beschadigen.

Reinigen van de condensorspoel

De condensorspoel moet regelmatig worden gereinigd, met een aanbevolen frequentie van elke 90 dagen. In sommige gevallen kan het voorkomen, dat er zich een grote hoeveelheid vuil, stof of vet heeft opgehoopt vóór deze periode van 90 dagen. In dat geval moet de condensorspoel vaker worden gereinigd.

Als de opeenhoping op de spoel alleen uit stofdeeltjes en vuil bestaat, kan de condensorspoel met een eenvoudige borstel worden schoongemaakt. Zwaardere stofopeenhoping vereist een stofzuiger of zelfs perslucht om door de condensorspoel heen te blazen.

Als er veel vet aanwezig is, zijn er ontvettingsmiddelen beschikbaar voor gebruik in de koelsystemen en specifiek voor de condensorspoel. Wellicht is het nodig om de condensorspoel te besproeien met het ontvettingsmiddel en vervolgens met perslucht door te blazen.

Het niet onderhouden van een schone condensorspoel kan in eerste instantie hoge temperaturen en een te lange bedrijfstijd veroorzaken, continue werking met vuile of verstopte condensorspoelen kan leiden tot defecten aan de compressor. Als u de procedures voor het reinigen van de condensorspoel niet in acht neemt, vervalt elke garantie op de compressor of worden de kosten voor het vervangen van de compressor hoger.

Voor een goede werking van het koelsysteem moeten de condensorribben regelmatig van stof, vuil en vet worden ontdaan. Het wordt aanbevolen om dit ten minste elke 3 maanden te doen. Als de omstandigheden zodanig zijn, dat de condensor volledig verstopt is, moet de frequentie van het reinigen worden verhoogd. Reinig de condensor met een stofzuiger of een harde borstel. Als het erg vuil is, kan een in de handel verkrijgbare condensorreiniger nodig zijn.

Verzorging van roestvrij staal

De volgende informatie betreft het onderhoud van de roestvrijstalen buitenkant van het Polar product. Nooit:

- schurende blokjes of sponsjes etc. gebruiken;
- reinigingsmiddelen met chloor of zuur gebruiken;
- toelaten dat voedsel, vuil, chemische reinigingsmiddelen enz. langer dan nodig op het oppervlak achterblijven - verwijder ze onmiddellijk;
- toelaten dat het oppervlak nat blijft.

Wel:

- vaak schoonmaken;
- zachte doeken en plastic sponsjes gebruiken;
- met de draad van het metaal mee wrijven, in plaats van tegen de draad in;
- reinigings- en poetsmiddelen gebruiken die speciaal voor roestvrij staal zijn bedoeld;
- ervoor zorgen dat de reinigingsproducten volledig worden afgespoeld en dat het staal droog achter blijft.

Onderhoud van pakkingen

Pakkingen moeten regelmatig worden gereinigd om schimmelvorming te voorkomen en de elasticiteit van de pakking te behouden.

Pakkingen kunnen worden gereinigd met een warm sopje. Vermijd sterke reinigingsmiddelen op pakkingen, aangezien deze hierdoor broos kunnen worden en een goede afdichting kunnen voorkomen. Gebruik ook nooit scherpe gereedschappen of messen om de pakking te schrappen of te reinigen, want deze kunnen de pakking doen scheuren en de balg beschadigen.

Pakkingen kunnen eenvoudig worden vervangen en er is geen gebruik van gereedschap of bevoegd onderhoudspersoneel voor nodig. De pakkingen zijn in "Dartpijl"-stijl en kunnen uit de groef in de deur worden getrokken en nieuwe pakkingen kunnen weer op hun plaats worden "gedrukt".

Deurtjes/Scharnieren

Na verloop van tijd en bij intensief gebruik kunnen de scharnieren van de deurtjes los gaan zitten. Als u merkt dat het deurtje begint door te zakken, kan het nodig zijn de schroeven waarmee de scharnierbeugels aan het frame van het apparaat zijn bevestigd, aan te draaien. Als de deurtjes loszitten of doorzakken kan dit ertoe leiden, dat het scharnier uit het frame wordt getrokken, waardoor zowel de deurtjes als de deurscharnieren beschadigd kunnen raken. In sommige gevallen kunnen hiervoor gekwalificeerde servicemedewerkers of onderhoudspersoneel nodig zijn.

Onderhoud van de afvoer

Elk apparaat heeft een afvoer in het apparaat, die de condensvorming van de spoel ten behoeve van de verdamper afvoert en via een externe condensatafvoerbak van de verdamper laat verdampen. De afvoer kan losraken of zelfs ontkoppeld worden als gevolg van het verplaatsen of het stoten tegen de afvoer.

Wanneer u overmatige waterophoping aan de binnenkant van het apparaat opmerkt, controleer dan of de afvoerslang is aangesloten van de verdamperbehuizing op de condensatafvoerbak van de verdamper.

Indien water zich onder het apparaat verzamelt, moet u wellicht de condensatafvoerslang van de verdamper controleren om er zeker van te zijn, dat deze zich nog steeds in de afvoerbak bevindt.

Het waterpas stellen van het apparaat is belangrijk, aangezien de apparaten zijn ontworpen om goed af te voren, als ze op een vlakke ondergrond staan. Als uw vloer niet waterpas is, kan dit afvoerproblemen veroorzaken. Zorg ervoor dat alle afvoerleidingen vrij zijn van verstoppingen, anders zullen verstopte afvoerleidingen ertoe leiden dat water terugstroomt en de afvoerbakken overlopen.

Oplossen van problemen

Indien nodig moet een gekwalificeerde technicus reparaties uitvoeren.

Probleem	Mogelijke oorzaak	Handeling
Het apparaat werkt niet	Het apparaat staat uit	Controleer of de stroomkabel van het apparaat is aangesloten en of het apparaat is ingeschakeld
	Stekker en kabel zijn beschadigd	Vervang stekker of kabel
	Storing netvoeding	Controleer netvoeding
Kasttemperatuur is te warm	Deuren niet goed gesloten	Controleren of de deuren goed dicht en of afdichtingen niet beschadigd zijn
	Het product bevindt zich in de nabijheid van een warmtebron of de luchtstroom naar de condensor wordt onderbroken	Verplaats de koelkast naar een geschiktere locatie
	Omgevingstemperatuur is te hoog	Verbeter de ventilatie of verplaats het product naar een koelere locatie
	Onvoldoende luchtstroom naar de ventilatoren	Verwijder eventuele blokkades aan de ventilatoren
	De ingestelde temperatuur is te hoog	Stel een lagere temperatuur in
	Te laag niveau van het koelmiddel	Raadpleeg een gekwalificeerde technicus
Condensvorming op de bierkast en / of de vloer	De pakking sluit niet goed af	Reinig, repareer of vervang de pakking indien nodig

Technische specificaties

Opmerking: Als gevolg van ons voortdurende programma van onderzoek en ontwikkeling, kunnen de specificaties hierin zonder voorafgaande kennisgeving worden gewijzigd.

Model	Voltage	Vermogen	Stroom	Temperatuur-bereik	Koel-middel	Afmetingen h x b x d mm	Gewicht (Kg)
GE632	230V~ 50Hz	150W	1,1A	2°C ~ 8°C	R600a (55g)	1312 x 612 x 810	63
GE633	230V~ 50Hz	250W	1,6A	2°C ~ 8°C	R290 (95g)	1438 x 1247 x 620	97

Elektrische bedrading

Men dient de stekker op een geschikt stopcontact aan te sluiten.

De bedrading van dit apparaat is als volgt:

- Stroomkabel (bruin) naar de aansluitklem gemarkeerd met L
- Neutraalkabel (blauw) naar de aansluitklem gemarkeerd met N
- Aardekabel (groen/geel) naar de aansluitklem gemarkeerd met E

Dit apparaat moet worden geaard.



Raadpleeg bij twijfel een vakkundige elektricien.

De elektrische isolatiepunten mogen niet worden geblokkeerd. In geval van een nooduitschakeling moeten de isolatiepunten direct toegankelijk zijn.

Afvalverwerking

De EU-richtlijnen vereisen dat koelproducten door gespecialiseerde bedrijven wordt verwerkt die gassen, metalen en plastic componenten verwijderen of recyclen.

Raadpleeg uw plaatselijke afvalverwerkingsbedrijf voor informatie over de verwerking van uw apparaat. Plaatselijke overheden zijn niet verplicht om commerciële koelapparatuur als afval te verwerken maar kunnen u wellicht informeren waar u het apparaat kunt afgeven.

U kunt ook de POLAR-helppesdesk bellen voor informatie over landelijke afvalverwerkingsbedrijven in de EU.

Productconformiteit

Het WEEE-logo op dit product of bijbehorende documentatie geeft aan dat het product niet onder huisvuil valt en als zodanig ook niet mag worden verwerkt. Ter preventie van mogelijke gevaren voor de gezondheid van personen en/of voor het milieu, dient men dit product in overeenstemming met het voorgeschreven en milieuveilige recyclingproces als afval te verwerken. Raadpleeg uw productleverancier of uw plaatselijk afvalverwerkingsbedrijf voor meer informatie over de juiste afvalverwerking van dit product.



De onderdelen van POLAR producten hebben strenge producttesten ondergaan om te voldoen aan wettelijke regels en specificaties die door internationale, onafhankelijke en landelijke overheden worden voorgeschreven.



POLAR producten zijn goedgekeurd en voorzien van het volgende symbool:

Alle rechten voorbehouden. Het is verboden om deze handleiding, hetzij volledig of gedeeltelijk, elektronisch of mechanisch te reproduceren, kopiëren, op opslagmedia op te slaan of op enigerlei wijze over te dragen, zonder voorafgaande goedkeuring van POLAR.

Wij hebben er alles aan gedaan om er zeker van te zijn dat op publicatiedatum van de handleiding alle details correct zijn. Polar behoudt zich echter het recht om zonder voorafgaande kennisgeving de specificaties te wijzigen.

Conseils de sécurité

- Placez l'appareil sur une surface plane, stable.
- L'installation et les éventuelles réparations doivent être confiées à un dépanneur / technicien qualifié. Ne retirez aucun composant ou cache de ce produit.
- Consultez les normes locales et nationales pour vous conformer aux :
 - lois sur l'hygiène et la sécurité au travail ;
 - codes de bonnes pratiques BS EN ;
 - précautions contre le risque d'incendie ;
 - réglementations sur les branchements électriques IEE ;
 - règlements sur la construction.
- NE PAS nettoyer cet appareil avec un nettoyeur à jet / à pression.
- Cet appareil est réservé exclusivement à une utilisation à l'intérieur.
- NE stockez PAS d'aliments dans l'appareil.
- NE PAS se servir de cet appareil pour stocker des médicaments.
- NE PAS éclabousser les composants en plastique ou les joints de porte d'huile ou de matières grasses. En cas d'éclaboussure, nettoyez immédiatement la surface touchée.
- NE STOCKEZ aucun produit sur le dessus de l'appareil.
- Veillez à toujours transporter, stocker et manipuler l'appareil à la verticale et à le déplacer en tenant la base du châssis.
- N'oubliez jamais d'éteindre et de débrancher l'appareil avant de procéder à son nettoyage.
- Conserver tous les emballages hors de la portée des enfants. Jeter les emballages conformément aux réglementations émises par les autorités locales.
- Un cordon d'alimentation endommagé doit être remplacé par un agent POLAR ou un technicien qualifié recommandé, pour éviter tout danger.
- Les enfants ne doivent pas jouer avec l'appareil.
- Nettoyage et entretien de l'utilisateur ne peut être faite par des enfants sans surveillance.

- Cet appareil peut être utilisé par des enfants de 8 ans et plus sous la surveillance d'une personne responsable ou sous réserve qu'ils aient reçu des instructions concernant l'utilisation de l'appareil en toute sécurité et qu'ils comprennent les dangers que l'appareil présente.
- Tenez l'appareil et son cordon d'alimentation hors de la portée des enfants de moins de 8 ans.
- L'appareil n'est pas destiné à être utilisé au moyen d'une minuterie externe ou d'un système de commande à distance séparé.
- POLAR recommande de faire tester régulièrement cet appareil (une fois par an au minimum) par une personne compétente. Le test devrait inclure, entre autres : inspection visuelle, test de polarité, la continuité de masse (équipement de classe I), test d'isolation et test de fonctionnement.

Attention : Risque d'incendie



- Ne stockez pas de substances explosives telles que les aérosols avec un propulseur inflammable dans cet appareil.



Attention : Évitez de bloquer toutes les ouvertures d'aération. L'unité ne doit pas être mise dans un box dans aération adéquate.

- **Attention** : Ne pas utiliser de dispositifs mécaniques ou autres moyens pour accélérer le processus de dégivrage, autre que le fabricant recommandé Ceux par.
- **Attention** : Ne pas endommager le circuit frigorifique.
- **Attention** : Ne pas utiliser d'appareils électriques à l'intérieur des compartiments de stockage des aliments de l'appareil.

Description du produit

GE632 - Distributeur de bière à tirage direct (1 fût 1 robinet)

GE633 - Distributeur de bière à tirage direct (2 fûts 2 robinets)

Introduction

Nous vous invitons à consacrer quelques instants à la lecture attentive de ce mode d'emploi. L'entretien et l'utilisation appropriés de cette machine vous permettront de tirer le meilleur de votre produit POLAR.

Contenu de l'emballage

Les éléments suivants vous sont fournis de série :

- Distributeur de bière
- Plateau d'égouttage
- Ensemble de la tour à bière
- Ligne de CO₂
- Joint en T pour lignes CO₂
- Vis et rondelles
- Clé multifonctions
- Mode d'emploi

POLAR attache une grande importance à la qualité et au service et veille à fournir des produits en parfait état opérationnel, parfaitement intacts au moment de l'emballage.

Nous vous prions de contacter votre revendeur POLAR immédiatement si vous constatez un dommage quelconque survenu pendant le transport du produit.

Installation

Remarque : Ne pas utiliser dans des camionnettes ou des semi-remorques, dans des camions-restaurants ou véhicules similaires.

Remarque : dans les cas où l'appareil a été stocké ou déplacé autrement qu'à la verticale, placez-le en position debout pendant environ 12 heures avant de vous en servir. En cas de doute, laissez l'appareil se reposer.

1. Sortez l'appareil de l'emballage. Veillez à bien retirer toute la pellicule et les revêtements de protection de toutes les surfaces.
2. Pour optimiser les performances et la longévité, assurez-vous qu'un dégagement minimum de 2,5 cm est maintenu entre l'unité et les murs et autres objets, avec un dégagement minimum de 20 cm sur le dessus. **NE JAMAIS PLACER À PROXIMITÉ D'UNE SOURCE DE CHALEUR.**

Remarque : Avant d'utiliser l'appareil pour la première fois, nettoyez l'intérieur avec de l'eau savonneuse et séchez-le bien.

Emplacement

- L'appareil est destiné à être utilisé à l'intérieur uniquement.
- Assurez-vous que l'emplacement choisi dispose d'un sol suffisamment solide pour supporter le poids total de l'armoire et de son contenu. Un appareil entièrement chargé peut peser jusqu'à 450 kg. Renforcez le plancher si nécessaire pour assurer une charge maximale.
- Pour une réfrigération plus efficace, veillez à assurer une bonne circulation de l'air à l'intérieur et à l'extérieur.

Ventilation

- Veillez à ce que l'unité ait accès à une grande quantité d'air. Évitez les coins chauds et les emplacements près des cuisinières et des fours.
- S'il s'avère nécessaire de coucher l'unité sur le côté ou sur le dos pour une raison quelconque, prévoyez au moins 12 heures avant le démarrage afin de permettre à l'huile du compresseur de retourner dans le carter. Le non-respect de cette exigence peut entraîner une panne du compresseur et endommager l'unité.

Mise à niveau

- Une armoire de niveau sera plus performante car les portes s'emboîteront correctement dans les cadres, l'armoire ne sera pas soumise à des contraintes excessives et le contenu de l'armoire ne bougera pas.
- Utilisez un niveau pour vous assurer que l'unité est de niveau d'avant en arrière et d'un côté à l'autre.
- Si l'appareil est fourni avec des pieds, ceux-ci doivent être réglés pour permettre les ajustements nécessaires. Si l'appareil est fourni avec des roulettes, serrez les freins des roulettes pour maintenir l'appareil en position.
- Veillez à ce que le sol où l'appareil doit être placé soit nivellé.

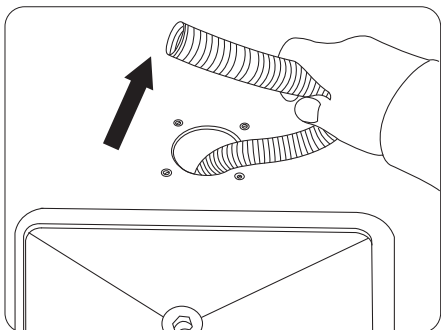


Attention :
Si vous ne respectez pas toutes les instructions d'installation, votre garantie sera annulée.

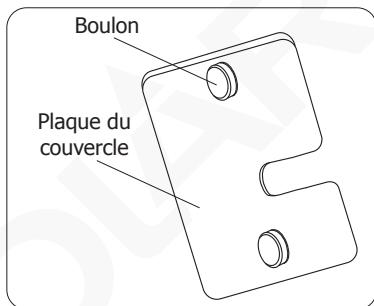
Raccordement

Raccordement de la tour à bière

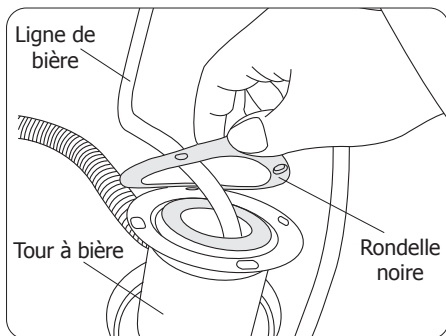
1. Retirez le tuyau de conduite d'air de l'orifice situé sur la surface de l'armoire.



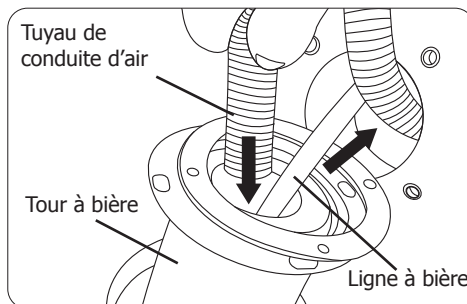
2. Dévissez les 2 boulons pour libérer la plaque de recouvrement qui se trouve sur la surface intérieure de la cabine.



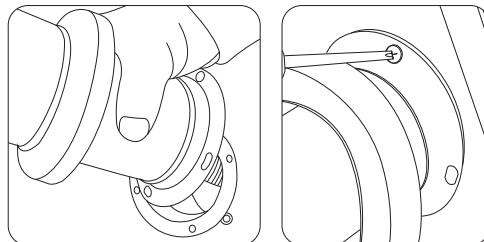
3. Enfillez la grande rondelle noire dans le tuyau de bière qui vient de la tour à bière.



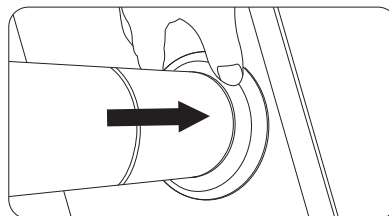
4. Insérez la ligne de bière dans l'armoire par le trou. Insérez ensuite le tuyau de conduite d'air dans la tour à bière.



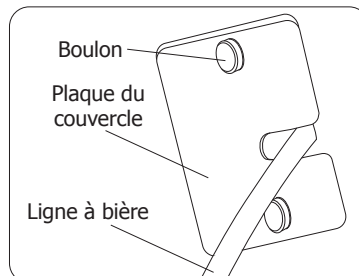
5. Alignez tous les trous et installez les 4 vis pour fixer la tour à bière en place.



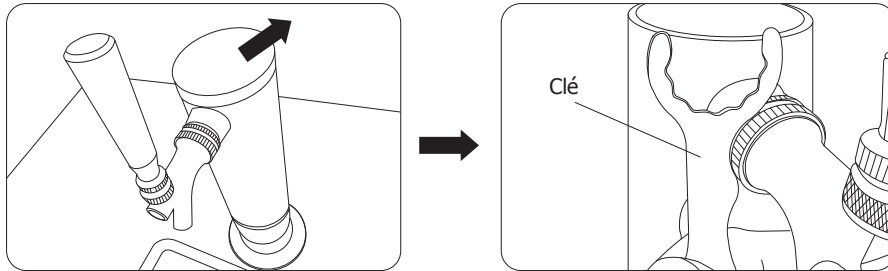
6. Faites glisser l'abat-jour de la tour à bière vers le bas à fond.



7. Remontez et fixez le couvercle de plaque à la surface intérieure de la cabine à l'aide de boulons.



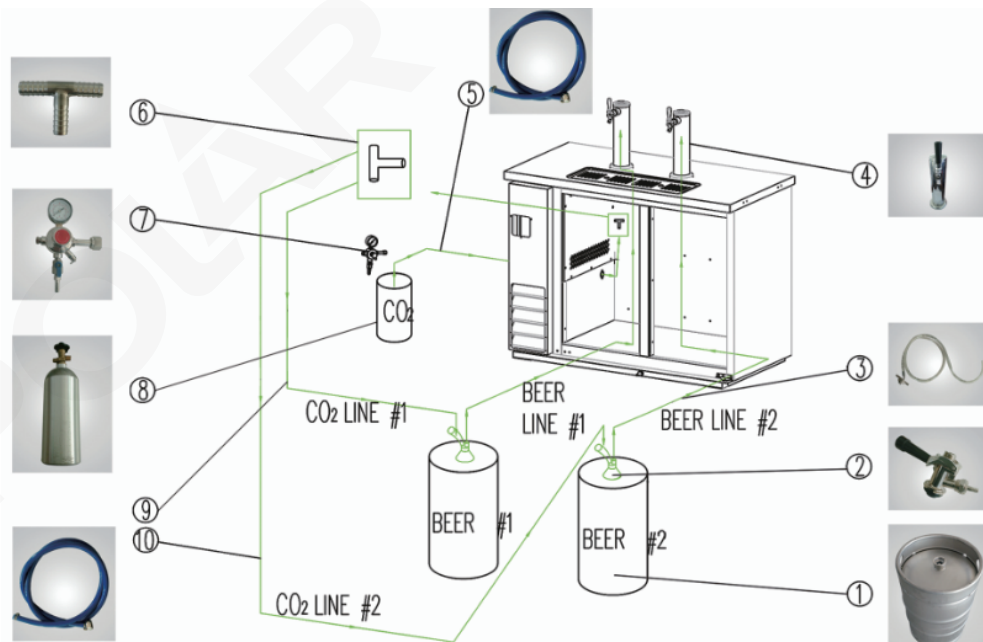
8. Si la tour à bière n'est pas stable, vous pouvez ajuster le robinet selon les besoins. Ouvrez d'abord le bouchon supérieur de la tour à bière. Utilisez ensuite la clé fournie pour ajuster le robinet.



Branchement de la bouteille de CO₂ et du fût de bière



Remarque : le diagramme HIE ci-dessous est fourni uniquement à titre indicatif. Pour les branchements réels, veuillez suivre les instructions du fabricant fournies avec la bouteille de CO₂ et le fût de bière. Tous les branchements doivent être effectués par des professionnels uniquement. Soyez prudent lorsque vous placez la bouteille de CO₂ et le fût de bière dans l'armoire pour éviter tout dommage.



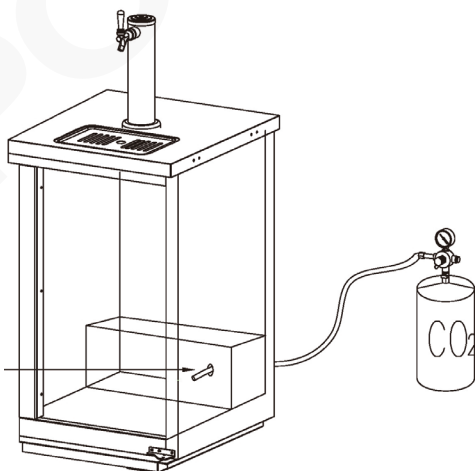
- | | |
|------------------------------|--|
| 1. Fût de bière (non fourni) | 6. Joint en T pour les lignes de CO ₂ |
| 2. Robinet de fût | 7. Régulateur de CO ₂ (non fourni) |
| 3. Ligne de bière | 8. Bouteille de CO ₂ (non fourni) |
| 4. Tour de bière | 9. Ligne de CO ₂ (#1) |
| 5. Ligne CO ₂ | 10. Ligne CO ₂ (#2) |



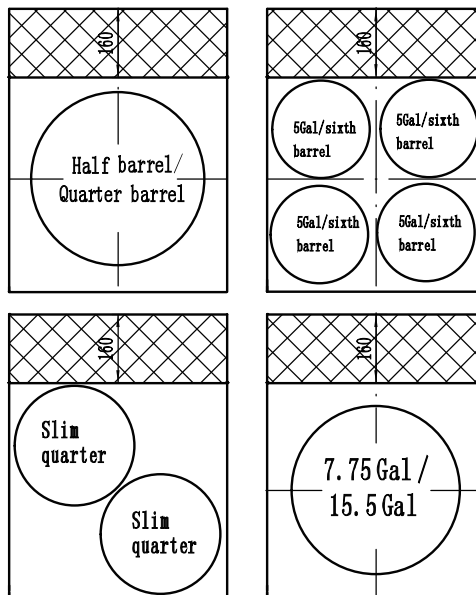
Avertissement :

- Assurez-vous que tous les raccords du système sont bien serrés. Maintenez toujours la bouteille de CO₂ en position verticale. La pression recommandée pour le système CO₂ est de 8-10 psi.
- Manipulez toujours la bouteille de CO₂ avec précaution. Ne la posez jamais à plat et ne la laissez pas tomber !
- Manipulez tous les composants du système de pression avec précaution. N'utilisez pas de pressions excessives. Assurez-vous que les instructions sont bien comprises. En cas de doute, contactez votre revendeur/distributeur pour obtenir des explications.
- Les bouteilles de CO₂ remplies sont potentiellement dangereuses en raison de la pression qu'elles contiennent. Si vous n'êtes pas familier avec leur utilisation ou avec l'utilisation du régulateur de CO₂, demandez des informations à votre distributeur local, ou à votre responsable des boissons avant de continuer.

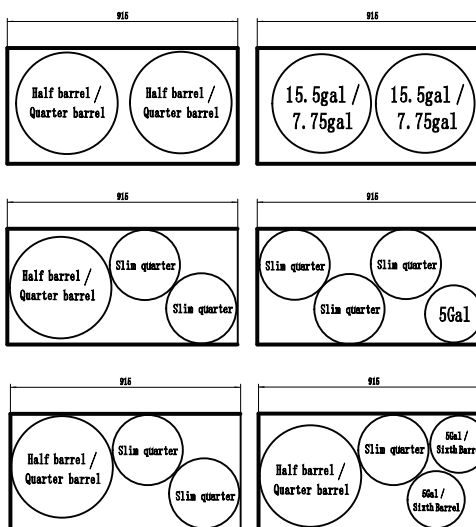
Lorsqu'il est nécessaire de connecter une bouteille de CO₂ à distance, utilisez le schéma ci-dessous à titre de référence. Pour les connexions réelles, veillez à suivre les instructions du fabricant fournies avec la bouteille de CO₂



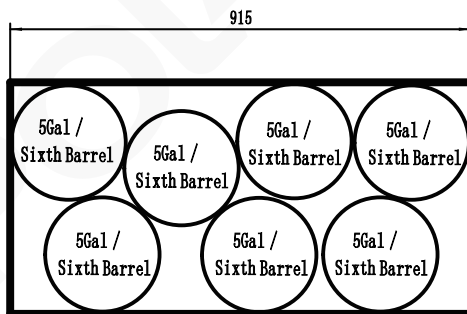
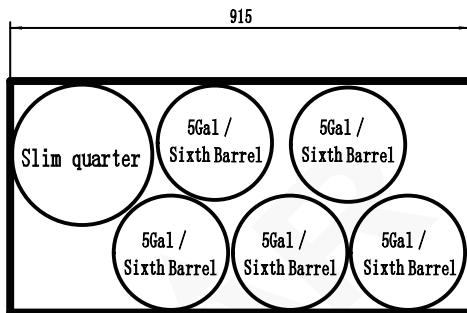
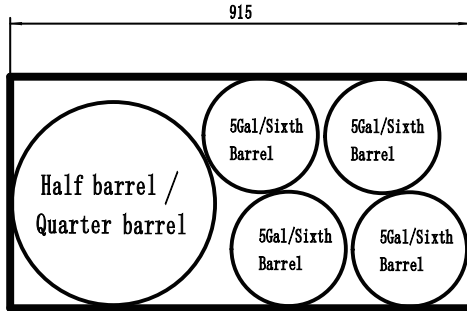
Disposition du fût de bière : Modèle GE632



Disposition du fût de bière : Modèle GE633



Disposition du fût de bière : Modèle GE633

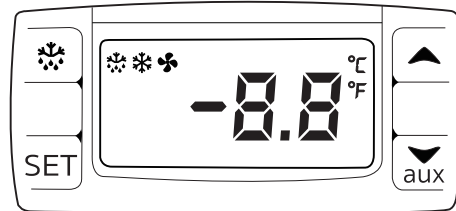


Fonctionnement

Panneau de configuration

Pour GE632 : le panneau de commande est situé sur la paroi arrière à l'intérieur de l'armoire.

Pour GE633 : Le panneau de commande est situé sur le devant de l'appareil.



Pour déverrouiller / verrouiller le clavier, appuyez sur ▲ et ▼ pendant 3 secondes. L'affichage clignote PON (déverrouillé) / POF (verrouillé).

Allumer

1. Fermez la porte de l'appareil.
2. Branchez l'appareil à une alimentation secteur.

Réglez la température de fonctionnement

1. Maintenez le bouton **SET** pendant 3 secondes. La valeur du point de consigne actuel s'affiche.
2. Appuyez sur les boutons ▲ ou ▼ pour afficher la température requise.
3. Appuyez sur le bouton **SET** pour mémoriser la température.

Dégivrage manuel

Appuyez sur le bouton « ❄ » et maintenez-le enfoncé pendant 2 secondes pour démarrer le dégivrage automatique. Le voyant de dégivrage s'allume.

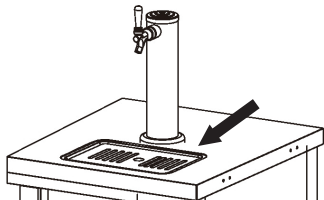
Le cycle de dégivrage se termine automatiquement.

Verrouillage / déverrouillage des portes

Le verrouillage / déverrouillage de la porte s'effectue à l'aide des clés fournies.

Service

- Avant de servir, assurez-vous de mettre le(s) plateau(x) d'égouttement en place.



- Tirez le robinet vers vous pour commencer à verser.
- Relevez la poignée du robinet pour le fermer.

Nettoyage, entretien et maintenance



Veillez éteindre et débrancher du secteur avant de commencer l'entretien et le nettoyage.

- Il est recommandé de le nettoyer à l'eau chaude et savonneuse. Les produits de nettoyage peuvent laisser des résidus nocifs. Essuyez l'extérieur avec un chiffon humide
- Videz et nettoyez régulièrement les plateaux d'égouttement.
- Un agent POLAR ou un technicien qualifié doit effectuer les réparations si nécessaire.

Nettoyage de l'armoire

L'intérieur et l'extérieur peuvent être nettoyés avec du savon et de l'eau chaude. Si cela ne suffit pas, essayez de l'ammoniaque et de l'eau ou un nettoyant liquide non abrasif. Lorsque vous nettoyez l'extérieur, frottez toujours dans le sens du « grain » de l'acier inoxydable pour éviter d'abîmer la finition.

N'utilisez pas de nettoyant abrasif, car cela pourrait rayer l'acier inoxydable et le plastique et pourrait endommager les bandes et les joints d'étanchéité.

Nettoyage du serpentin du condenseur

Le serpentin du condenseur doit être nettoyé régulièrement. La fréquence recommandée est de tous les 90 jours. Dans certains cas, vous pouvez constater qu'il y a une grande quantité de débris, de poussière ou d'importants débris ou de graisse accumulée avant la période de 90 jours. Dans ce cas, le serpentin du condenseur doit être nettoyé plus fréquemment.

Si l'accumulation sur le serpentin ne consiste qu'en une légère poussière et des débris, le serpentin du condenseur peut être nettoyé avec une simple brosse. Les accumulations de poussière plus importantes peuvent nécessiter l'utilisation d'un aspirateur ou même d'air comprimé pour souffler dans le serpentin du condenseur.

S'il y a beaucoup de graisse, il existe des dégraissants disponibles pour la réfrigération et spécifiquement pour les condenseurs. Il peut être nécessaire de pulvériser l'agent de dégraissage sur le col du condenseur, puis de le souffler à l'air comprimé.

Si le serpentin du condenseur n'est pas propre, cela peut provoquer des températures élevées et des temps de fonctionnement excessifs, mais un fonctionnement continu avec un serpentin sale ou bouché peut entraîner des pannes de compresseur. La négligence des procédures de nettoyage du serpentin du condenseur annule toute garantie associée au compresseur ou le coût de remplacement du compresseur.

Afin de maintenir une bonne performance de réfrigération, les ailettes du condenseur doivent être nettoyées régulièrement de la poussière, de la saleté et de la graisse. Il est recommandé de le faire au moins tous les 3 mois. Si les conditions sont telles que le condenseur est totalement bloqué, la fréquence de nettoyage doit être augmentée. Nettoyez le condenseur avec un aspirateur ou une brosse rigide. S'il est extrêmement sale, un nettoyant pour condenseur disponible dans le commerce peut être nécessaire.

Entretien de l'inox

Veillez lire les informations suivantes sur l'entretien de l'extérieur en inox de votre appareil Polar :

Ne jamais :

- Utiliser de tampons abrasifs, etc.
- Utiliser de détergents chlorés ou acides
- Laisser de saletés, de résidus alimentaires ou de produits chimiques de nettoyage sur la surface pendant de longues périodes. Les nettoyer immédiatement
- Laisser la surface mouillée

À faire :

- Nettoyer souvent
- Utiliser des chiffons doux et des tampons en plastique
- Frotter dans le sens du grain du métal et non l'inverse
- Utiliser des détergents et produits d'entretien spécialement conçus pour l'inox
- Veiller à bien rincer les produits de nettoyage et à essuyer l'inox

Entretien des joints

Les joints d'étanchéité doivent être nettoyés régulièrement afin d'éviter l'apparition de moisissures et également pour conserver l'élasticité du joint d'étanchéité.

Le nettoyage des joints peut être effectué à l'aide d'eau chaude savonneuse. Évitez d'utiliser des produits de nettoyage puissants sur les joints, car ils risquent de se fragiliser et d'empêcher une bonne étanchéité. De même, n'utilisez jamais d'outils tranchants ou de couteaux pour gratter ou nettoyer le joint, ce qui pourrait déchirer le joint et déchirer le soufflet.

Les joints peuvent être facilement remplacés et ne nécessitent pas l'utilisation d'outils ou de personnes de service autorisées. Les joints sont de type « Dart » et peuvent être retirés de la rainure de la porte et les nouveaux joints peuvent être remis en place par pression.

Portes/charnières

Avec le temps et une utilisation intensive, les portes et les charnières peuvent se desserrer. Si vous remarquez que la porte commence à s'affaisser, il peut être nécessaire de resserrer les vis qui fixent les supports de charnière au cadre de l'unité. Si les portes sont lâches ou s'affaissent, la charnière peut sortir du cadre, ce qui peut endommager les portes et les charnières. Dans certains cas, cela peut nécessiter l'intervention d'agents de service ou de personnel d'entretien qualifiés.

Entretien des drains

Chaque unité dispose d'un drain situé à l'intérieur de l'unité qui retire la condensation du serpentin de l'évaporateur et l'évapore dans un bac d'évaporation de condensat externe. Le drain peut se desserrer ou même se déconnecter si vous le déplacez ou le cognez.

Si vous remarquez une accumulation excessive d'eau à l'intérieur de l'unité, assurez-vous que le tube d'évacuation est connecté du boîtier de l'évaporateur au bac de l'évaporateur de condensats.

Si de l'eau s'accumule sous l'unité, vous devrez peut-être vérifier le tube d'évacuation de l'évaporateur de condensats pour vous assurer qu'il est toujours situé à l'intérieur du bac d'évacuation.

La mise à niveau de l'unité est importante car les unités sont conçues pour s'écouler correctement lorsqu'elles se trouvent sur une surface plane. Si votre sol n'est pas de niveau, cela peut également causer des problèmes de drainage. Assurez-vous que toutes les conduites d'évacuation ne sont pas obstruées, ou si elles sont bloquées, l'eau remontera et débordera les bacs d'évacuation.

Dépannage

Un technicien qualifié doit effectuer les réparations si nécessaire.

Dysfonctionnement	Cause probable	Intervention
L'appareil ne fonctionne pas	L'appareil n'est pas allumé	Vérifier que l'appareil est bien branché et allumé
	La fiche ou le câble est endommagé	Remplacez la fiche ou le câble
	Défaut d'alimentation secteur	Vérifier l'alimentation secteur
La température de l'armoire est trop chaude	Les portes sont mal fermées	Vérifier que les portes sont fermées et l'état des joints
	L'appareil est situé près d'une source de chaleur ou l'air ne circule pas librement vers le condensateur	Déplacer le réfrigérateur pour le placer à un endroit mieux adapté
	Température ambiante trop haute	Augmenter la ventilation ou placer l'appareil à un endroit plus frais
	Flux d'air insuffisant vers les ventilateurs	Supprimez tout blocage des ventilateurs
	La température de consigne est trop élevée	Réglez une température plus basse
	Niveau de réfrigérant bas	Consulter un technicien qualifié
Condensation sur l'armoire et/ou le sol	Le joint n'est pas bien étanche	Nettoyez, réparez ou remplacez le joint si nécessaire

Spécifications techniques

Remarque : en raison de notre programme continu de recherche et de développement, les spécifications du présent document peuvent être modifiées sans préavis.

Modèle	Tension	Puissance	Courant	Plage de température	Réfrigérant	Dimensions h x l x p mm	Poids (kg)
GE632	230V~ 50Hz	150W	1,1A	2°C ~ 8°C	R600a (55g)	1312 x 612 x 810	63
GE633	230V~ 50Hz	250W	1,6A	2°C ~ 8°C	R290 (95g)	1438 x 1247 x 620	97

Raccordement électrique

La prise doit être reliée à la prise secteur qui convient.

Cet appareil est câblé comme suit :

- Fil conducteur (brun) à la borne marquée L
- Fil neutre (bleu) à la borne marquée N
- Fil de terre (vert / jaune) à la borne marquée E

Cet appareil doit être mis à la terre.



En cas de doute, consultez un électricien qualifié.

Les points d'isolation électrique doivent être libres de toute obstruction. En cas de débranchement requis en urgence, ils doivent être facilement accessibles.

Mise au rebut

Les règlements de l'UE exigent que les produits munis de réfrigérants soient mis au rebut par des entreprises spécialisées, équipées pour extraire et recycler les composants à gaz, métalliques et en plastique.

Adressez-vous à votre autorité chargée de la collecte des déchets pour ce qui concerne la mise au rebut de votre appareil. Même si rien n'oblige les autorités locales à se charger de la mise au rebut du matériel de réfrigération commerciale, elles pourraient être en mesure de vous conseiller sur les moyens disponibles localement pour s'en débarrasser.

Vous pouvez aussi appeler le standard d'assistance POLAR, qui saura vous renseigner sur les entreprises de prise en charge nationales au sein de l'UE.

Conformité

Le logo WEEE qui figure sur ce produit ou sa documentation indique qu'il ne doit pas être mis au rebut avec les ordures ménagères. Pour éviter qu'il ne présente un risque pour la santé humaine et / ou écologique, confiez la mise au rebut de ce produit à un site de recyclage agréé respectueux de l'environnement. Pour de plus amples détails sur la mise au rebut appropriée de ce produit, contactez le fournisseur du produit ou l'autorité responsable de l'enlèvement des ordures dans votre région.



Les pièces POLAR ont été soumises à des tests rigoureux pour pouvoir être déclarées conformes aux normes et spécifications réglementaires définies par les autorités internationales, indépendantes et fédérales.



Les produits POLAR ont été déclarés aptes à porter le symbole suivant :

Tous droits réservés. La production ou transmission, partielles ou intégrales, sous quelque forme que ce soit ou par n'importe quel moyen, tant électronique que mécanique, sous forme de photocopie, d'enregistrement ou autre de ce mode d'emploi sont interdites sans l'autorisation préalablement accordée par POLAR.

Nous nous efforçons, par tous les moyens dont nous disposons, de faire en sorte que les détails contenus dans le présent mode d'emploi soient corrects en date d'impression. Toutefois, POLAR se réserve le droit de changer les spécifications de ses produits sans préavis.

Sicherheitshinweise

- Auf eine flache, stabile Fläche stellen.
- Alle erforderlichen Montage- und Reparaturarbeiten sollten von Wartungspersonal oder einem qualifizierten Techniker durchgeführt werden. Keine Bauteile oder Bedienflächen von diesem Produkt entfernen.
- Für folgende Normen und Vorschriften sind die lokalen und nationalen Normen heranzuziehen:
 - Arbeitsschutzvorschriften
 - BS EN Verhaltenspraktiken
 - Brandschutzvorschriften
 - IEE-Anschlussvorschriften
 - Bauvorschriften
- Das Gerät NICHT mit einem Strahl-/Hochdruckreiniger reinigen.
- Nur zum Gebrauch in Gebäuden.
- Lagern Sie KEINE Lebensmittel im Gerät.
- Das Gerät NICHT zum Aufbewahren von medizinischen Produkten verwenden.
- KEIN Öl oder Fett mit den Kunststoffteilen oder der Türdichtung in Kontakt kommen lassen. Bei Kontakt sofort reinigen.
- KEINE Produkte auf dem Gerät lagern.
- Das Gerät stets aufrecht tragen, lagern und transportieren. Zum Transport den Schrank an der Unterseite anfassen.
- Vor Reinigungsarbeiten stets zunächst das Gerät abschalten und den Netzstecker ziehen.
- Verpackungsmaterial außerhalb der Reichweite von Kindern aufbewahren und gemäß den lokalen Vorschriften entsorgen.
- Aus Sicherheitsgründen muss ein beschädigtes Stromkabel von einem POLAR-Mitarbeiter oder empfohlenen qualifizierten Elektriker erneuert werden.
- Kinder dürfen nicht mit dem Gerät spielen.
- Reinigung und Wartung durch den Benutzer dürfen nicht von Kindern ohne Aufsicht durchgeführt werden.

- Dieses Gerät kann von Kindern ab 8 Jahren und darüber benutzt werden, wenn sie überwacht werden oder unterwiesen wurden, bezüglich des sicheren Gebrauchs des Gerätes und die daraus resultierenden Gefahren verstanden haben.
- Halten Sie das Gerät und das Netzkabel außer Reichweite von Kindern, die jünger als 8 Jahre sind.
- Das Gerät darf nicht mit einem externen Timer oder einer separaten Fernbedienung betrieben werden.
- POLAR empfiehlt, dass dieses Gerät regelmäßig (wenigstens jährlich) von einem Fachmann überprüft wird. Die Überprüfung sollte beinhalten, ohne darauf beschränkt zu sein: Visuelle Überprüfung, Polaritätstest, Erdungskontinuität (Klasse-1-Geräte), Isolationskontinuität und Funktionalitätsprüfung.

Vorsicht: Brandgefahr

- Keine explosiven Stoffe wie Sprühdosen mit brennbarem Treibmittel in diesem Gerät aufbewahren.



Warnung: Halten Sie alle Lüftungsöffnungen frei. Das Gerät sollte nicht ohne geeignete Ventilation eingebaut werden.

- **Warnung:** Verwenden Sie keine mechanischen Vorrichtungen oder andere Mittel, um den Abtauvorgang zu beschleunigen, außer denen die vom Hersteller empfohlen wurden.
- **Warnung:** Beschädigen Sie den Kältemittelkreislauf nicht.
- **Warnung:** Verwenden Sie keine elektrischen Geräte innerhalb der Ablagefächer des Geräts, sofern sie nicht der Typ.

Produktbeschreibung

GE632 - Bierzapfanlage mit Direktentnahme (1 Fass 1 Zapfhahn)

GE633 - Bierzapfanlage mit Direktentnahme (2 Fass 2 Zapfhahn)

Einführung

Bitte nehmen Sie sich einige Minuten Zeit und lesen Sie dieses Handbuch sorgfältig durch. Nur bei korrekter Wartung und vorschriftsgemäßem Betrieb kann Ihr POLAR-Produkt optimale Leistung erzielen.

Lieferumfang

Folgende Teile befinden sich in der Verpackung:

- Bierzapfanlage
- Auffangwanne
- Bierturmmontage
- CO₂ Leitung
- T-Stück für CO₂ -Leitungen
- Schrauben und Unterlegscheiben
- Multi-Funktions-Schlüssel
- Bedienungsanleitung

POLAR ist stolz auf die hochwertige Qualität seiner Produkte und seinen erstklassigen Service. Wir stellen sicher, dass alle gelieferten Produkte zum Zeitpunkt der Verpackung voll funktionsfähig sind und sich in einwandfreiem Zustand befinden. Sollten Sie Transportschäden feststellen, wenden Sie sich bitte unverzüglich an Ihren POLAR-Händler.

Montage

Hinweis: Nicht zur Verwendung in Lieferwagen oder Anhängern, Transportern oder ähnlichen Fahrzeugen.

Hinweis: Wenn das Gerät nicht aufrecht transportiert oder gelagert wurde, muss es vor Inbetriebnahme rund 12 Stunden aufrecht aufgestellt werden. Im Zweifelsfall lassen Sie es aufrecht stehen.

1. Gerät aus der Verpackung nehmen. Darauf achten, dass die gesamte Plastikfolie und alle Beschichtungen von sämtlichen Flächen entfernt wurden.
2. Um die Leistung und Langlebigkeit zu optimieren, stellen Sie sicher, dass zwischen dem Gerät und den Wänden und anderen Objekten ein Mindestabstand von 2,5 cm eingehalten wird, wobei oben ein Mindestabstand von 20 cm eingehalten wird. **NIEMALS IN DER NÄHE EINER WÄRMEQUELLE.**

Hinweis: Reinigen Sie das Innere des Geräts vor der ersten Inbetriebnahme mit Seifenwasser und trocknen Sie es anschließend gut ab.

Standort

- Das Gerät ist nur für die Verwendung in Innenräumen vorgesehen.
- Vergewissern Sie sich, dass der gewählte Standort einen Boden hat, der stark genug ist, um das Gesamtgewicht des Schrankes und des Inhalts zu tragen. Ein voll beladenes Gerät kann bis zu 450 kg wiegen. Verstärken Sie den Boden bei Bedarf, um eine maximale Belastung zu gewährleisten.
- Um eine möglichst effiziente Kühlung zu erreichen, achten Sie auf eine gute Luftzirkulation innen und außen.

Belüftung

- Stellen Sie sicher, dass das Gerät Zugang zu ausreichend Luft hat. Vermeiden Sie heiße Ecken und Standorte in der Nähe von Herden und Öfen.
- Sollte es notwendig sein, das Gerät aus irgendeinem Grund auf die Seite oder auf den Rücken zu legen, warten Sie mindestens 12 Stunden vor der Inbetriebnahme, damit das Kompressoröl zurück in den Sumpf fließen kann. Die Nichteinhaltung dieser Anforderung kann zum Ausfall des Kompressors und zu Schäden am Gerät führen.

Nivellierung

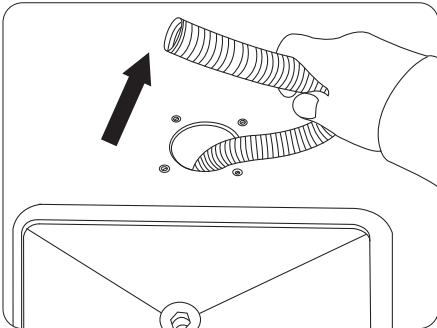
- Ein nivellierter Schrank ist leistungsfähiger, weil die Türen richtig an den Rahmen anliegen, der Schrank nicht übermäßig belastet wird und der Inhalt im Schrank nicht verrutscht.
- Verwenden Sie eine Wasserwaage, um sicherzustellen, dass das Gerät von vorne nach hinten und von einer Seite zur anderen waagrecht steht.
- Geräte, die mit Füßen geliefert werden, haben verstellbare Kugelfüße, um die notwendigen Einstellungen vorzunehmen. Wenn das Gerät mit Rollen geliefert wird, ziehen Sie die Bremsen an den Rollen an, um das Gerät in Position zu halten.
- Stellen Sie sicher, dass der Boden, auf dem das Gerät aufgestellt werden soll, eben ist.

Vorsicht: Bei Nichtbeachtung der ordnungsgemäßen Installationsanweisungen erlischt der Garantieanspruch.

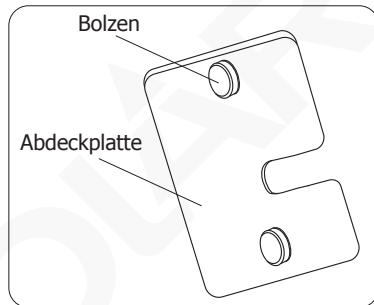
Anschluss

Anschließen des Bierturms

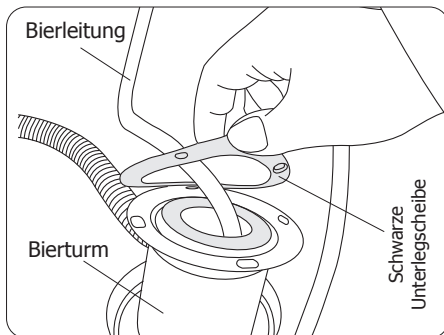
1. Ziehen Sie den Luftführungsschlauch aus dem Loch in der Schrankoberfläche heraus.



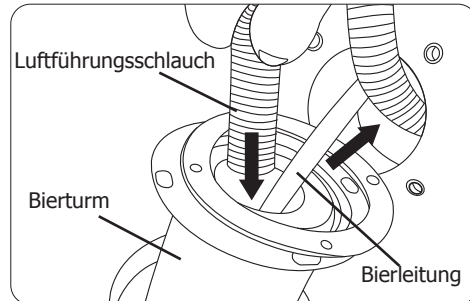
2. Lösen Sie die 2 Bolzen, um die Abdeckplatte zu lösen, die sich auf der Innenseite des Schrankes befindet.



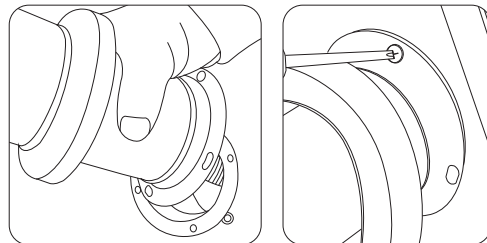
3. Fädeln Sie die große schwarze Unterlegscheibe durch die Bierleitung, die vom Bierturm kommt.



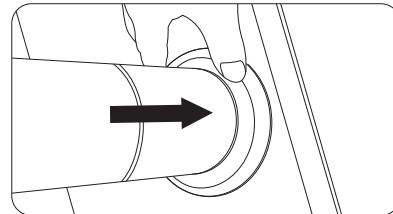
4. Führen Sie die Bierleitung durch die Bohrung in den Schrank ein. Führen Sie dann den Luftführungsschlauch in den Bierturm ein.



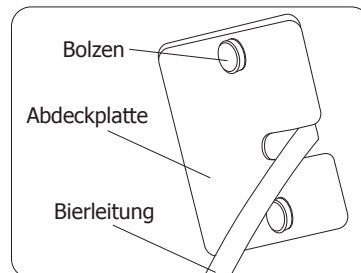
5. Richten Sie alle Löcher aus und montieren Sie die 4 Schrauben, um den Bierturm zu befestigen.



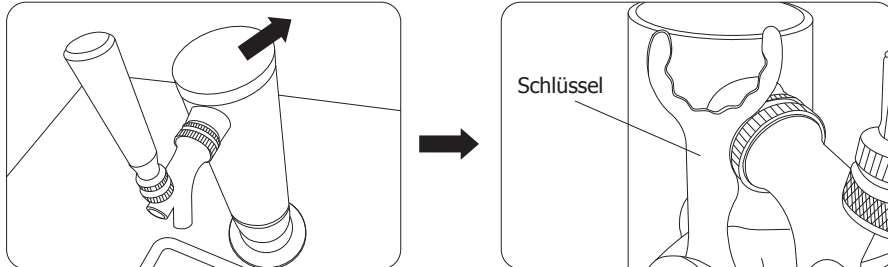
6. Schieben Sie die Blende des Bierturms ganz nach unten.



7. Bringen Sie die Abdeckplatte wieder an und befestigen Sie sie mit Bolzen an der Innenseite des Schrankes.



8. Falls der Bierturm nicht stabil ist, können Sie den Zapfhahn nach Bedarf einstellen. Öffnen Sie zuerst die obere Kappe des Bierturms. Verwenden Sie dann den mitgelieferten Schraubenschlüssel, um den Zapfhahn zu verstellen..

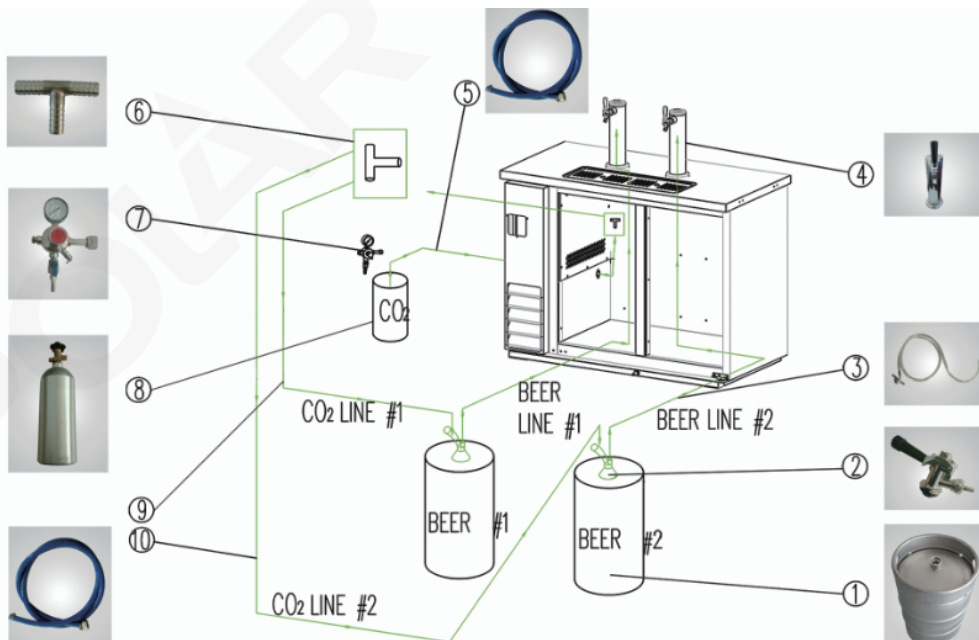


Anschließen der CO₂-Flasche und des Bierfasses



Hinweis: Das unten stehende Diagramm dient nur als Referenz. Für die tatsächlichen Anschlüsse befolgen Sie bitte die Anweisungen des Herstellers, die mit der CO₂-Flasche und dem Bierfass geliefert werden. Alle Anschlüsse sollten nur von Fachleuten vorgenommen werden.

Gehen Sie beim Einsetzen der CO₂-Flasche und des Bierfasses in den Schrank vorsichtig vor, um Beschädigungen zu vermeiden.



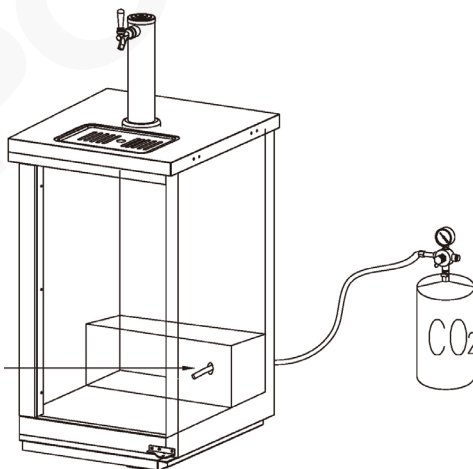
- | | |
|-----------------------------------|--|
| 1. Bier-Fass (Nicht mitgeliefert) | 6. T-Stück für CO ₂ -Leitungen |
| 2. Zapfhahn | 7. CO ₂ -Regler (Nicht mitgeliefert) |
| 3. Bierleitung | 8. CO ₂ -Flasche (Nicht mitgeliefert) |
| 4. Bierturm | 9. CO ₂ -Leitung (#1) |
| 5. CO ₂ -Leitung | 10. CO ₂ -Leitung (#2) |



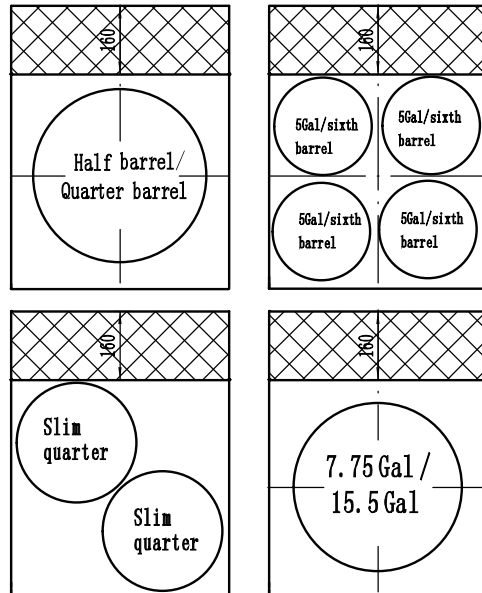
Warnung:

- Stellen Sie sicher, dass alle Verschraubungen im System dicht sind. Halten Sie die CO₂-Flasche immer in vertikaler Position. Der empfohlene Druck für das CO₂-System beträgt 8-10 psi.
- Behandeln Sie die CO₂-Flasche immer mit Vorsicht. Niemals flach hinlegen oder fallen lassen!
- Behandeln Sie alle Komponenten des Drucksystems mit Sorgfalt. Verwenden Sie keine übermäßigen Drücke. Vergewissern Sie sich, dass Sie die Anweisungen genau verstanden haben. Wenden Sie sich im Zweifelsfall an Ihren Händler/Vertriebspartner, um eine Erklärung zu erhalten.
- Gefüllte CO₂-Flaschen sind aufgrund des enthaltenen Drucks potenziell gefährlich. Wenn Sie mit ihrer Verwendung oder der Verwendung des CO₂-Reglers nicht vertraut sind, informieren Sie sich bei Ihrem örtlichen Händler oder Ihrem Getränkehändler, bevor Sie fortfahren.

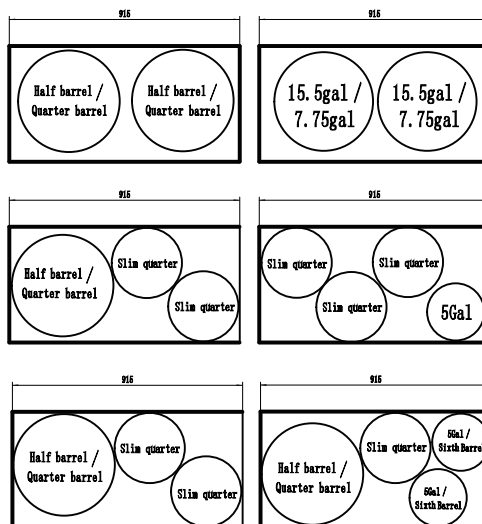
Wenn Sie einen entfernten CO₂-Zylinder anschließen müssen, verwenden Sie das folgende Diagramm als Referenz. Befolgen Sie für die tatsächlichen Anschlüsse die Anweisungen des Herstellers, die mit der CO₂-Flasche geliefert wurden.



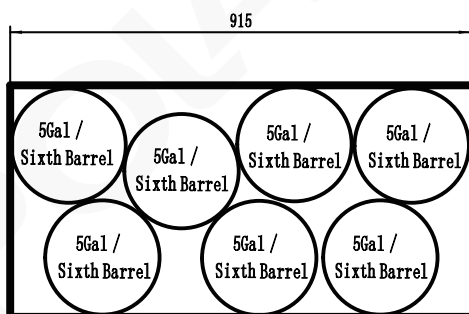
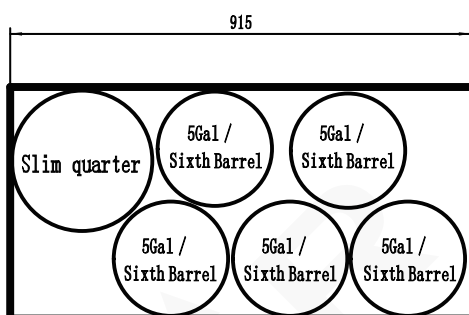
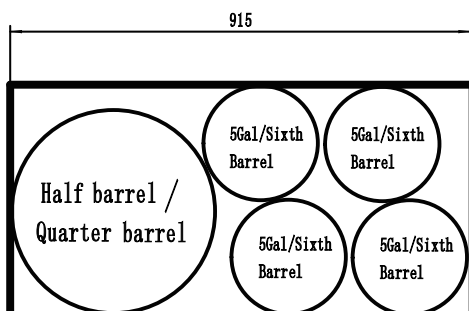
Bierfass-Layout: Modell GE632



Bierfass-Layout: Modell GE633



Bierfass-Layout: Modell GE633

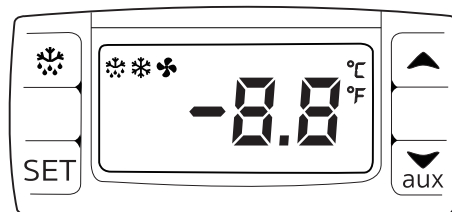


Betrieb

Bedienfeld

Für GE632: Das Bedienfeld befindet sich an der Rückwand im Schrankinneren.

Für GE633: Das Bedienfeld befindet sich vorne am Gerät.



Zum Entsperren / Sperren der Tastatur drücken Sie ▲ und ▼ zusammen für 3 Sekunden. Anzeige blinkt PON (entsperrt) / POF (gesperrt).

Einschalten

1. Schließen Sie die Tür des Gerätes.
2. Schließen Sie das Gerät an eine Netzstromversorgung.

Betriebstemperatur einstellen

1. Halten Sie die **SET**-Taste für 3 Sekunden gedrückt. Der Wert des aktuellen Sollwertes wird angezeigt.
2. Drücken Sie die Taste ▲ oder ▼, um die benötigte Temperatur aufzurufen.
3. Zum Speichern der Temperatur drücken Sie die Taste **SET**.

Manuelles Abtauen

Um den Abtauvorgang zu starten, die taste ❄️ 2 Sekunden lang gedrückt halten. Die Abtaulampe leuchtet auf.

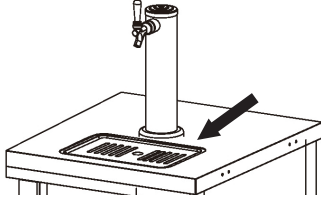
Der Abtauzyklus wird automatisch beendet.

Ab-/Aufschließen der Türen

Mit den Schlüsseln im Lieferumfang können Sie die Tür ab-/aufschließen.

Servieren

- Vergewissern Sie sich vor dem Servieren, dass die Tropfschale(n) an Ort und Stelle ist/sind.



- Ziehen Sie den Zapfhahn zu sich, um mit dem Ausgießen zu beginnen.
- Heben Sie den Zapfhahngriff an, um den Zapfhahn zu schließen.

Reinigung, Pflege und Wartung

Schalten Sie vor der Reinigung und Wartung das Gerät aus und trennen Sie es von der Stromversorgung.

- Zur Reinigung wird warmes, seifiges Wasser empfohlen. Reinigungsmittel können schädliche Rückstände hinterlassen. Wischen Sie die Außenseite mit einem feuchten Tuch ab.
- Leeren und reinigen Sie die Auffangwannen regelmäßig.
- Eine Reparatur sollte bei Bedarf von einem POLAR-Vertreter oder qualifizierten Techniker durchgeführt werden.

Reinigen des Schranks

Der Innen- und Außenbereich kann mit Seife und warmem Wasser gereinigt werden. Wenn dies nicht ausreicht, versuchen Sie es mit Ammoniak und Wasser oder einem nicht scheuernden Flüssigreiniger. Reiben Sie beim Reinigen der Außenseite immer mit der „Maserung“ des Edelstahls, um die Oberfläche nicht zu beschädigen. Verwenden Sie keine Scheuermittel, da diese den Edelstahl und den Kunststoff verkratzen und die Unterbrecherleisten und Dichtungen beschädigen können.

Reinigen der Verflüssigerspule

Das Verflüssigerregister muss regelmäßig gereinigt werden, wobei die empfohlene Häufigkeit alle 90 Tage beträgt. In einigen Fällen kann es vorkommen, dass sich vor der 90-Tage-Frist eine große Menge an Ablagerungen und Staub oder Fett angesammelt hat. Daher sollte das Verflüssigerregister häufiger gereinigt werden.

Wenn die Ablagerungen auf der Spule nur aus leichtem Staub und Schutt bestehen, kann die Kondensatorspule mit einer einfachen Bürste gereinigt werden. Bei stärkeren Staubablagerungen kann ein Vakuum oder sogar Druckluft erforderlich sein, um die Verflüssigerspule durchzublasen.

Wenn starkes Fett vorhanden ist, gibt es Entfettungsmittel für den Einsatz in der Kältetechnik und speziell für die Verflüssigerregister. Die Verflüssigerspule muss möglicherweise mit dem Entfettungsmittel eingesprüht und dann mit Druckluft durchgeblasen werden.

Die Nichtbeachtung einer sauberen Verflüssigerschlange kann anfänglich zu hohen Temperaturen und übermäßigen Laufzeiten führen, ein Dauerbetrieb mit verschmutzten oder verstopften Verflüssigerschlangen kann zu Kompressoraustritten führen. Die Vernachlässigung der Reinigung des Verflüssigerregisters führt zum Erlöschen jeglicher Garantien für den Kompressor oder zu Kosten für den Austausch des Kompressors.

Um eine einwandfreie Kühlleistung zu erhalten, müssen die Verflüssigerlamellen regelmäßig von Staub, Schmutz und Fett gereinigt werden. Es wird empfohlen, dies mindestens alle 3 Monate zu tun. Wenn die Bedingungen so sind, dass der Verflüssiger völlig verstopft ist, sollte die Häufigkeit der Reinigung erhöht werden. Reinigen Sie den Verflüssiger mit einem Staubsauger oder einer steifen Bürste. Bei extremer Verschmutzung kann ein handelsüblicher Verflüssigerreiniger erforderlich sein.

Pflegeanleitung für Edelstahl

Damit Ihr Polar-Produkt sein einwandfreies Edelstahlaussehen behält, beachten Sie bitte Folgendes:

Niemals:

- Scheuernde Topfkratzer, Scheuerschwämme usw. verwenden
- Chlor- oder säurehaltige Reinigungsmittel verwenden
- Artikel wie Nahrungsmittel, Schmutz, Reinigungskemikalien usw. länger als nötig auf der Oberfläche lassen; diese Stoffe sofort entfernen.
- Die Oberfläche nass bleiben lassen.

Unbedingt:

- Oft reinigen.
- Weiche Tücher oder Kunststoffkratzer verwenden.
- Mit der Metallmaserung reiben, nicht dagegen.
- Reinigungsmittel und eine Politur zur Reinigung von Edelstahl verwenden.
- Darauf achten, dass die Reinigungsprodukte vollständig abgewaschen werden und der Stahl anschließend trocken ist.

Wartung der Dichtung

Dichtungen müssen regelmäßig gereinigt werden, um Schimmelbildung zu verhindern und um die Elastizität der Dichtung zu erhalten.

Die Reinigung der Dichtungen kann mit warmer Seifenlauge erfolgen. Vermeiden Sie starke Reinigungsmittel auf Dichtungen, da diese dadurch spröde werden können und eine einwandfreie Abdichtung verhindern. Verwenden Sie außerdem niemals scharfe Werkzeuge oder Messer, um die Dichtung abzuschaben oder zu reinigen, da diese möglicherweise reißen und den Faltenbalg zerreißen könnten.

Die Dichtungen können leicht ausgetauscht werden und erfordern weder den Einsatz von Werkzeugen noch autorisierte Servicemitarbeiter. Die Dichtungen sind „Dart“-Dichtungen und können aus der Nut in der Tür herausgezogen und neue Dichtungen wieder an ihren Platz „gedrückt“ werden.

Türen/Scharniere

Mit der Zeit und bei starker Beanspruchung der Türen können die Scharniere locker werden. Wenn bemerkt wird, dass die Tür anfängt, durchzusacken, kann es notwendig werden, die Schrauben nachzuziehen, mit denen die Scharnierhalterungen am Rahmen des Geräts befestigt sind. Wenn die Türen locker sind oder durchhängen, kann dies dazu führen, dass das Scharnier aus dem Rahmen gezogen wird, was sowohl die Türen als auch die Türscharniere beschädigen kann. In einigen Fällen kann dies qualifizierte Servicevertreter oder Wartungspersonal erfordern.

Wartung des Abflusses

Jedes Gerät verfügt über einen Abfluss, der sich im Inneren des Geräts befindet und das Kondensat von der Verdampferschlange abführt und in einer externen Kondensatwanne verdampft. Der Abfluss kann sich lockern oder sogar abgetrennt werden, wenn der Abfluss verschoben oder angestoßen wird.

Wenn Sie eine übermäßige Wasseransammlung im Inneren des Geräts feststellen, vergewissern Sie sich, dass der Ablaufschlauch vom Verdampfergehäuse mit der Kondensatwanne des Verdampfers verbunden ist.

Wenn sich Wasser unter dem Gerät angesammelt hat, müssen Sie möglicherweise das Kondensatablassrohr des Verdampfers überprüfen, um sicherzustellen, dass es sich noch in der Auffangwanne befindet.

Die Nivellierung des Geräts ist wichtig, da die Geräte so konzipiert sind, dass sie auf einer ebenen Fläche richtig ablaufen. Wenn Ihr Boden nicht eben ist, kann dies ebenfalls zu Abflussproblemen führen. Stellen Sie sicher, dass alle Abflussleitungen frei von Hindernissen sind. Verstopfte Abflussleitungen führen dazu, dass sich Wasser zurückstaut und die Abflusswannen überlaufen.

Störungssuche

Falls erforderlich, muss ein qualifizierter Techniker Reparaturen durchführen.

Störung	Vermutliche Ursache	Lösung
Das Gerät funktioniert nicht	Das Gerät ist nicht eingeschaltet	Prüfen, ob der Netzstecker in die Steckdose gesteckt wurde und das Gerät eingeschaltet ist
	Stecker und Kabel sind beschädigt	Stecker oder Leitung ersetzen
	Fehler Netzstromversorgung	Netzstromversorgung prüfen
Schranktemperatur ist zu warm	Türen sind nicht richtig geschlossen	Prüfen, ob die Türen geschlossen und die Dichtungen intakt sind
	Gerät befindet sich in der Nähe einer Wärmequelle, oder der Luftstrom zum Kondensator ist unterbrochen	Den Kühlschrank an einem geeigneteren Ort aufstellen
	Umgebungstemperatur ist zu hoch	Belüftung intensivieren oder Gerät an einem kühleren Ort aufstellen
	Unzureichender Luftstrom zu den Lüftern	Entfernen Sie alle Verstopfungen an den Lüftern
	Die eingestellte Temperatur ist zu hoch	Stellen Sie eine niedrigere Temperatur ein
	Niedriger Kältemittelstand	Wenden Sie sich an einen qualifizierten Techniker
Kondenswasser auf dem Schrank und/oder Boden	Dichtung dichtet nicht gut ab	Reinigen, reparieren oder ersetzen Sie die Dichtung nach Bedarf

Technische Spezifikationen

Hinweis: Aufgrund unseres kontinuierlichen Forschungs- und Entwicklungsprogramms können sich die hier aufgeführten Spezifikationen ohne vorherige Ankündigung ändern.

Modell	Spannung	Leistung	Stromstärke	Temperaturbereich	Kühlmittel	Abmessungen h x b x t mm	Gewicht (kg)
GE632	230V~ 50Hz	150W	1,1A	2°C ~ 8°C	R600a (55g)	1312 x 612 x 810	63
GE633	230V~ 50Hz	250W	1,6A	2°C ~ 8°C	R290 (95g)	1438 x 1247 x 620	97

Elektroanschlüsse

Der Stecker muss in eine geeignete Steckdose gesteckt werden.

Das Gerät ist wie folgt verdrahtet:

- Stromführender Leiter (braun) an Klemme L
- Neutraleiter (blau) an Klemme N
- Erdleiter (grün/gelb) an Klemme E



Dieses Gerät muss geerdet sein.

Bei Fragen wenden Sie sich bitte an einen qualifizierten Elektriker.

Elektroisolierpunkte dürfen nicht blockiert werden. Bei einem Notstopp müssen diese Punkte jederzeit sofort zugänglich sein.

Entsorgung

Gemäß EU-Vorschriften müssen Kühlprodukte von Fachunternehmen entsorgt werden, die alle Gase, Metall- und Kunststoffbauteile entfernen oder recyceln.

Ihre Kommunalverwaltung kann Sie über die Entsorgung Ihres Geräts informieren. Kommunalbehörden sind nicht verpflichtet, gewerbliche Kühlgeräte zu entsorgen. Sie können Sie jedoch über lokale Annahmestellen informieren, die diese Geräte entsorgen.

Oder rufen Sie die POLAR-Helpline an. Wir verfügen über eine Liste nationaler Entsorger in den EU-Staaten.

Konformität

Das WEEE-Logo an diesem Produkt oder in der Dokumentation weist darauf hin, dass das Produkt nicht mit dem normalen Hausmüll entsorgt werden darf. Um potenziellen Gesundheits- bzw. Umweltschäden vorzubeugen, muss das Produkt durch einen zugelassenen und umweltverträglichen Recyclingprozess entsorgt werden. Ausführliche Informationen zur korrekten Entsorgung dieses Produkts erhalten Sie von Ihrem Produktlieferanten oder der für die Müllentsorgung in Ihrer Region zuständige Behörde.



Alle POLAR-Produkte werden strengen Tests unterzogen, um die Einhaltung von Normen und Spezifikationen internationaler und nationaler Behörden und unabhängiger Organisationen zu gewährleisten.



POLAR-Produkte dürfen durch folgendes Symbol gekennzeichnet werden:

Alle Rechte vorbehalten. Diese Anleitung darf ohne vorherige schriftliche Genehmigung von POLAR weder ganz noch teilweise in irgendeiner Form oder auf irgendeinem Wege - einschließlich elektronischer, mechanischer Verfahren, durch Fotokopieren, Aufnahme oder andere Verfahren - vervielfältigt oder übertragen werden.

Es werden alle Anstrengungen unternommen um sicherzustellen, dass alle Angaben bei der Drucklegung korrekt sind. POLAR behält sich jedoch das Recht vor, Spezifikationen ohne Vorankündigung zu ändern.

Suggerimenti per la sicurezza

- Posizionare su una superficie piana e stabile.
- L'installazione e le eventuali riparazioni devono venire eseguite da un agente/tecnico qualificato. Non rimuovere i componenti o i pannelli di accesso dell'apparecchio.
- Verificare la conformità alle normative locali e nazionali di quanto segue:
 - Normativa antinfortunistica sul lavoro
 - Linee guida BS EN
 - Precauzioni antincendio
 - Normativa IEE sui circuiti elettrici
 - Norme di installazione
- NON utilizzare sistemi di lavaggio a getto o pressione per pulire l'apparecchio.
- Per esclusivo uso in ambienti chiusi.
- NON conservare alimenti nell'apparecchio.
- NON utilizzare l'apparecchio per conservare presidi medico-sanitari.
- NON mettere a contatto olio o grassi con i componenti in plastica o con la guarnizione dei portelli. Pulire immediatamente in caso di contatto.
- Non conservare prodotti sopra l'apparecchio.
- Trasportare, immagazzinare e movimentare l'apparecchio sempre in posizione verticale e spostarlo mantenendone la base.
- Spegner e disconnettere l'alimentazione dell'unità prima di pulirla.
- Tenere lontano l'imballaggio dalla portata dei bambini. Smaltire l'imballaggio in conformità alle normative locali.
- Se danneggiato, il cavo di alimentazione deve venire sostituito da un agente POLAR o da un tecnico qualificato al fine di prevenire eventuali rischi.
- I bambini non giocherà con l'apparecchio.
- Pulizia e manutenzione utente non deve essere effettuata da parte di bambini senza sorveglianza.

- Questo apparecchio può essere utilizzato da bambini di età superiore a 8 anni, purché gli stessi siano controllati o istruiti all'uso sicuro dell'apparecchio e comprendano i rischi inerenti.
- Tenere l'apparecchio e il relativo cavo lontano dalla portata di bambini di età inferiore a 8 anni.
- L'apparecchio non è stato concepito per essere azionato mediante un timer esterno ne un sistema di controllo remoto separato.
- POLAR raccomanda che questo apparecchio venga periodicamente testato (almeno una volta all'anno) da una persona competente. I test dovrebbero includere, ma non solo: ispezione visiva, test di polarità, continuità di terra, continuità di isolamento e test funzionale.

Attenzione: Rischio di incendio



- Non conservare sostanze esplosive, come bombolette spray con propellente infiammabile in questo apparecchio.



Attenzione: Tenere libere tutte le aperture di ventilazione. L'unità non deve essere installata senza una ventilazione adeguata.

- **Attenzione:** non utilizzare dispositivi meccanici o altri mezzi per accelerare il processo di sbrinamento, diversa dal fabbricante raccomandato Quelli da.
- **Attenzione:** Non danneggiare il circuito refrigerante.
- **Attenzione:** Non usare apparecchi elettrici all'interno degli scomparti per la conservazione degli alimenti.

Descrizione dei prodotti

GE632 - Distributore di Birra a Tiraggio Diretto (1 Fusto 1 Rubinetto)

GE633 - Distributore di Birra a Tiraggio Diretto (2 Fusti 2 Rubinetti)

Introduzione

Leggere con attenzione il presente manuale. La manutenzione e l'utilizzo corretti di questo apparecchio consentiranno di ottenere le massime prestazioni da questo prodotto POLAR.

Contenuto dell'imballaggio

L'imballaggio contiene quanto segue:

- Distributore di Birra
- Leccarda
- Assemblaggio della torre della birra
- Linea di CO2
- Giunto a T per linee di CO2
- Viti e rondelle
- Chiave multiuso
- Manuale di istruzioni

POLAR garantisce una qualità e un servizio impeccabili e assicura che al momento dell'imballaggio tutti i componenti forniti sono integralmente funzionanti e privi di difetti. Nel caso siano rilevati danni risultanti dal trasporto del prodotto, rivolgersi immediatamente al rivenditore POLAR locale.

Installazione

Nota: Non per l'uso in furgoni o rimorchi, camion per il trasporto del cibo o veicoli simili.

Nota: se l'apparecchio è stato immagazzinato o spostato in posizione non verticale, lasciarlo in posizione verticale per circa 12 ore prima di metterlo in funzione. In caso di dubbio, osservare comunque questa precauzione.

1. Rimuovere l'apparecchio dall'imballaggio. Assicurarsi che la pellicola protettiva e rivestimenti in plastica siano interamente rimossi da tutte le superfici.
2. Per ottimizzare le prestazioni e la longevità, assicurarsi che sia mantenuta una distanza minima di 2,5 cm tra l'unità e le pareti e altri oggetti, con una distanza minima di 20 cm nella parte superiore. **NON POSIZIONARE MAI VICINO A UNA FONTE DI CALORE.**

Nota: prima di utilizzare l'apparecchio per la prima volta, pulire l'interno con acqua saponata e poi asciugare bene.

Locazione

- Questo apparecchio è inteso solo per un uso in ambienti interni.
- Assicurarsi che il luogo scelto abbia un pavimento robusto abbastanza da supportare il peso totale del mobile e dei suoi contenuti. Un'unità completamente carica può pesare fino a 450 kg. Rinforzare il pavimento quanto necessario per fornire supporto al massimo carico.
- Per una refrigerazione alla massima efficienza, assicurarsi di fornire una buona circolazione dell'aria interna ed esterna.

Ventilazione

- Assicurarsi che l'unità abbia accesso ad abbondante aria. Evitare gli angoli caldi e luoghi vicini a stufe e forni.
- Se diviene necessario, per una qualsiasi ragione, di far giacere l'unità sul lato o sulla parte posteriore, lasciar fermo in posizione per almeno 12 ore prima di avviare, in modo da consentire all'olio del compressore di fluire nella coppa. Il non seguire i requisiti può causare un non funzionamento del compressore e danneggiare l'unità.

Livellamento

- Un mobile a livello lavorerà meglio poiché le porte saranno allineate correttamente con la struttura, il mobile non sarà soggetto a sforzo eccessivo e il contenuto interno del mobile non si muoverà.
- Usare una livella per assicurarsi che l'unità sia a livello dalla parte anteriore a quella posteriore e da lato a lato.
- Le unità provviste di gambe hanno dei piedini a proiettile regolabili per effettuare le regolazioni necessarie. Se l'unità è provvista di rotelle, regolare i freni sulle rotelle per mantenere l'apparecchio in posizione.
- Assicurarsi che il pavimento, dove viene posizionata l'unità, sia a livello.

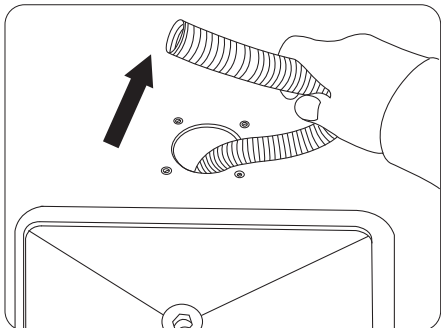


Avvertenza:
Il non seguire tutte le dovute istruzioni di installazione renderà non valida la tua garanzia.

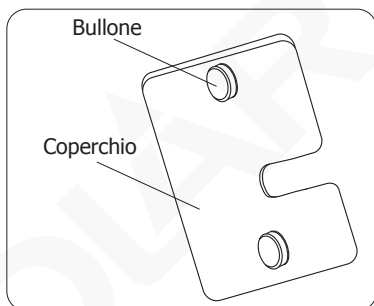
Collegamento

Collegare la torre della birra

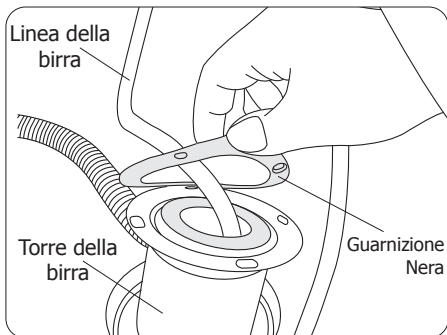
1. Estrarre il tubo del condotto dell'aria dal foro nella superficie del mobile.



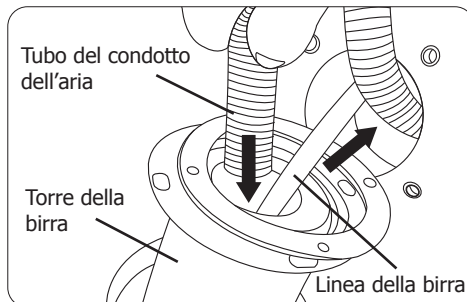
2. Svitare i 2 bulloni per rilasciare il coperchio posizionato sulla superficie interna del mobile.



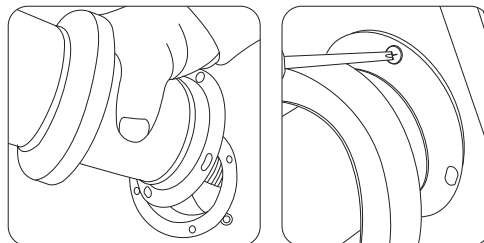
3. Infilare la guarnizione grande e nera attraverso la linea della birra proveniente dalla torre della birra.



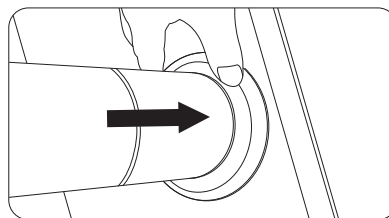
4. Inserire la linea della birra nel mobile tramite il foro. Quindi inserire il tubo del condotto dell'aria nella torre della birra.



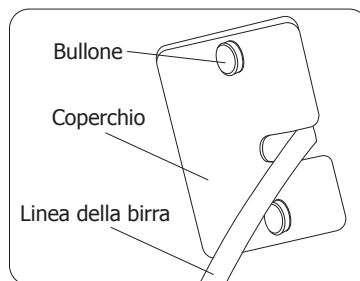
5. Allineare tutti i fori e installare le 4 viti per fissare la torre della birra in posizione.



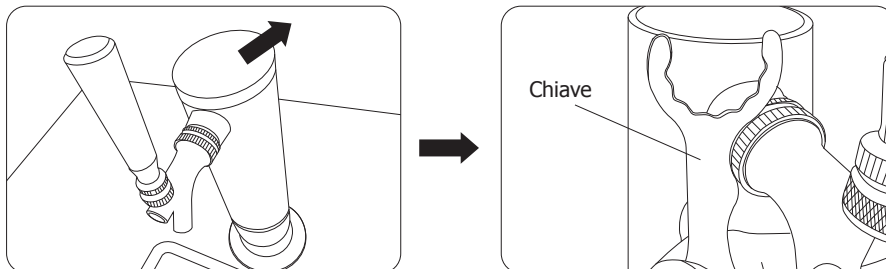
6. Far scorrere completamente verso il basso la sfumatura della torre della birra.



7. Riattaccare e fissare il coperchio sulla superficie interna del mobile con i bulloni.



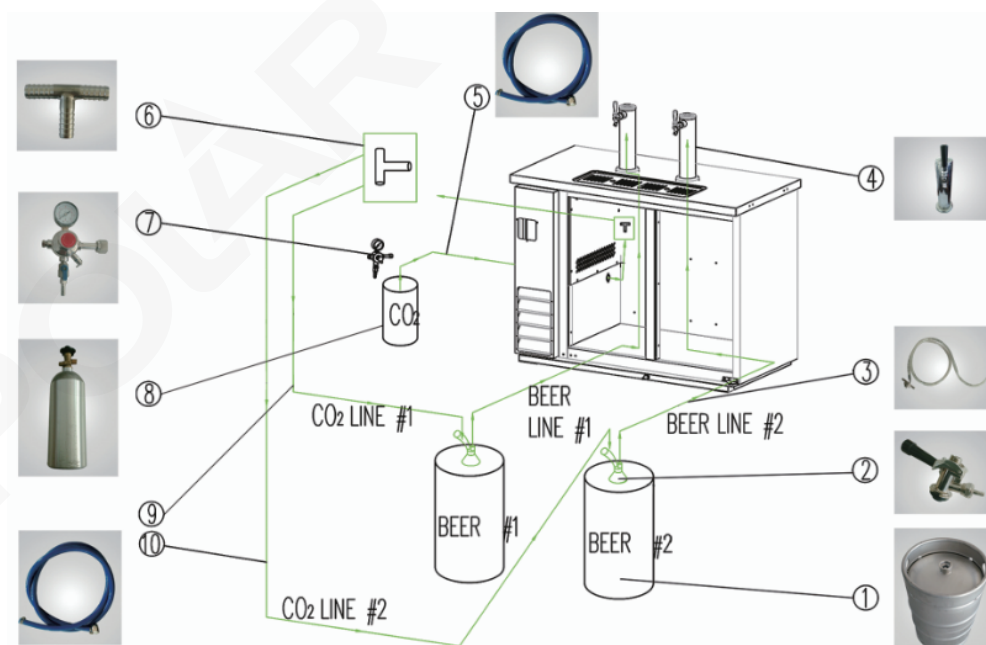
8. Nel caso la torre della birra non fosse stabile, si può regolare il rubinetto secondo le proprie necessità. Aprire il tappo superiore della torre della birra per prima cosa. Quindi usare la chiave fornita per regolare il rubinetto.



Collegare il cilindro di CO2 ed il fusto della birra



Nota: il diagramma sottostante è solo per riferimento. Per gli effettivi collegamenti, seguire le istruzioni del produttore fornite con il cilindro di CO2 ed il fusto della birra. Tutti i collegamenti dovrebbero essere fatti solo da professionisti. Posizionare il cilindro di CO2 ed il fusto di birra delicatamente nel mobile per evitare danneggiamenti.



- | | |
|--------------------------------------|---|
| 1. Fusto di birra (Non in dotazione) | 6. Giunto a T per le linee di CO2 |
| 2. Rubinetto del fusto | 7. Regolatore di CO2 (Non in dotazione) |
| 3. Linea della birra | 8. Cilindro di CO2 (Non in dotazione) |
| 4. Torre della birra | 9. Linea di CO2 (#1) |
| 5. Linea di CO2 | 10. Linea di CO2 (#2) |

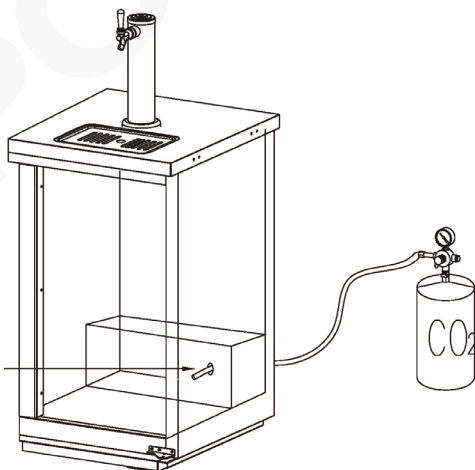


Attenzione:

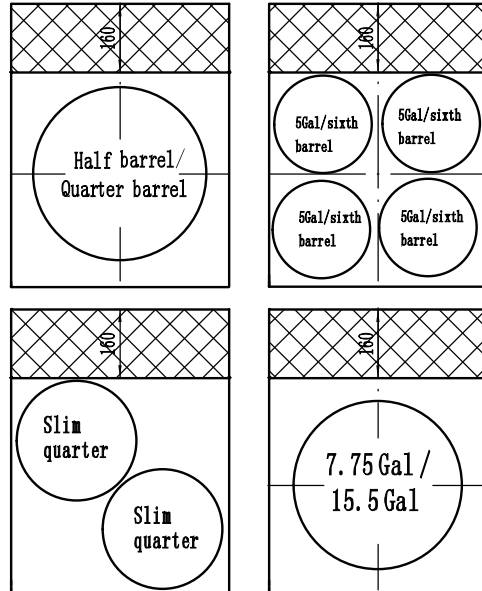
- Assicurarsi che tutti i raccordi nel sistema siano ben stretti. Tenere il cilindro di CO₂ sempre in posizione verticale. La pressione raccomandata del sistema di CO₂ è di 8-10 psi.
- Maneggiare sempre con cura il cilindro di CO₂. Mai posizionare disteso o lasciar cadere!
- Maneggiare tutte le componenti del sistema di pressione con cura. Non usare pressioni eccessive. Assicurarsi che le istruzioni siano state ben comprese. Se vi sono dubbi, contattare il vostro distributore/rivenditore per spiegazioni.
- I cilindri di CO₂ pieni sono potenzialmente pericolosi a causa della pressione contenuta. Se non hai familiarità con il loro utilizzo o con l'uso del regolatore di CO₂, chiedi informazioni al tuo distributore locale o ad un tecnico prima di procedere.



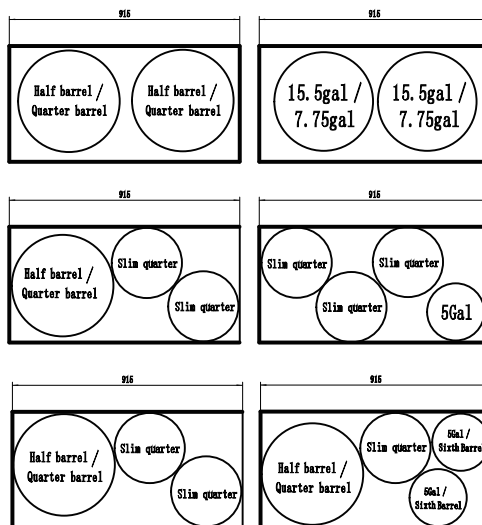
Quando è necessario collegare un cilindro remoto di CO₂, utilizzare il diagramma sottostante per riferimento. Assicurarsi, per tutti i collegamenti effettivi, di seguire le istruzioni del produttore fornite con il cilindro di CO₂.



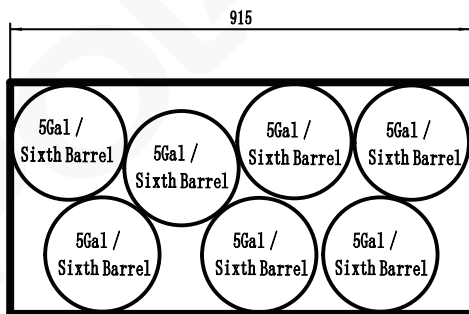
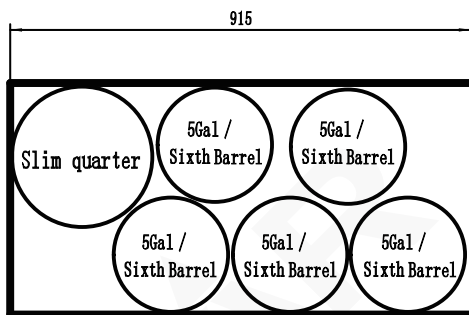
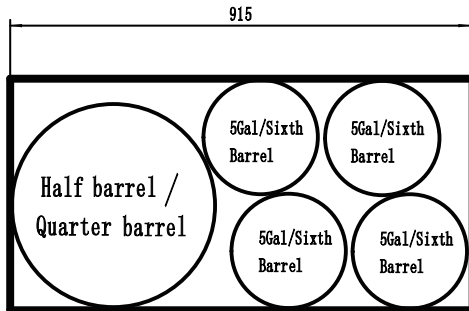
Struttura del fusto di birra: modello GE632



Struttura del fusto di birra: modello GE633



Struttura del fusto di birra: modello GE633

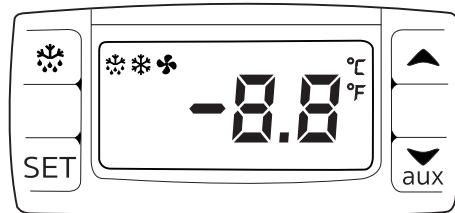


Funzionamento

Pannello di controllo

Per il GE632: il pannello di controllo è localizzato sul retro della parete interna del mobile.

Per il GE633: Il pannello di controllo è posizionato sul lato anteriore dell'apparecchio.



Per sbloccare / bloccare la tastiera premere ▲ e ▼ insieme per 3 secondi. Display lampeggia PON (sbloccato) / POF (bloccato).

Accensione

1. Chiudere la porta dell'apparecchio.
2. Collegare l'apparecchio ad una rete elettrica.

Impostazione della temperatura di esercizio

1. Tenere premuto il pulsante **SET** per 3 secondi. Verrà visualizzato il valore del setpoint corrente.
2. Premere i pulsanti ▲ o ▼ per visualizzare la temperatura richiesta.
3. Premere il pulsante **SET** per memorizzare la temperatura.

Sbrinamento manuale

Premere senza rilasciare il pulsante ❄️ per 2 secondi per avviare lo sbrinamento. La spia di sbrinamento si accende.

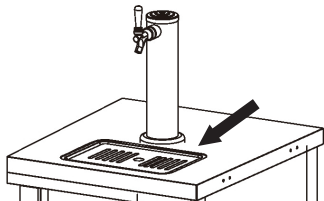
Il ciclo di sbrinamento si conclude automaticamente.

Blocco/sblocco delle porte

Utilizzare le chiavi fornite per bloccare/sbloccare la porta.

Servire

- Prima di servire, assicurarsi che il(i) vassoio(i) antigoccia sia(n) in posizione.



- Tirare il rubinetto verso di te per iniziare a versare.
- Sollevare la maniglia del rubinetto per chiudere il rubinetto.

Pulizia e manutenzione

Spegnere e disconnettere dalla fonte di alimentazione prima della pulizia e manutenzione.

- Si raccomanda acqua tiepida e saponata per la pulizia. I detersivi potrebbero lasciare residui pericolosi. Pulire l'esterno con un panno umido.
- Svuotare e pulire i vassoi antigoccia regolarmente.
- Un agente POLAR o un tecnico qualificato dovrebbero effettuare le riparazioni se richieste.

Pulizia del mobile

L'interno e l'esterno può essere pulito usando acqua tiepida e saponata. Se questo non è sufficiente, provare con ammoniaca e acqua o con un liquido pulente non abrasivo. Quando si puliscono gli esterni, strofinare sempre con il "grano" dell'acciaio inossidabile per evitare di rovinare le finiture.

Non usare un detersivo abrasivo poiché questo graffierà l'acciaio inossidabile e la plastica e può danneggiare i nastri e le guarnizioni.

Pulizia della Serpentina del Condensatore

La serpentina del condensatore richiede una pulizia regolare, con una frequenza raccomandata ogni 90 giorni. In alcuni casi, potresti trovare un grande ammontare di detriti e polvere o grasso accumulatosi precedentemente il periodo dei 90 giorni. Pertanto la serpentina del condensatore dovrebbe essere pulita più frequentemente.

Se l'accumulo sulla serpentina consiste solo di polvere e detriti leggeri, la serpentina del

condensatore può essere pulita con una semplice spazzola. Un accumulo più consistente di polvere potrebbe richiedere un aspirapolvere o anche aria compressa per il soffiaggio attraverso la serpentina del condensatore.

Se è presente molto grasso, vi sono agenti sgrassanti disponibili per l'uso nella refrigerazione e nello specifico per le serpentine del condensatore. La serpentina del condensatore potrebbe richiedere uno spray assieme all'agente sgrassante e quindi un soffiaggio con aria compressa.

Il mancato mantenimento della serpentina del condensatore pulita può causare inizialmente alte temperature e tempi di esecuzione eccessivi, un funzionamento continuo con la serpentina del condensatore con sporcizia o intasamento può portare al non funzionamento del compressore.

Trascurare le procedure di pulizia della serpentina del condensatore renderà nulla qualsiasi garanzia associata con il compressore o con i costi di sostituzione del compressore.

In modo da mantenere una corretta prestazione di refrigerazione, le alette del condensatore devono essere pulite regolarmente dalla polvere, sporcizia e grasso. Si raccomanda di farlo almeno ogni 3 mesi. Se vi sono condizioni che portano al blocco totale del condensatore, la frequenza della pulizia deve essere aumentata. Pulire il condensatore con un aspirapolvere o una spazzola rigida. Se è molto sporco, potrebbe essere necessario l'uso di un detersivo per il condensatore disponibile in commercio.

Istruzioni per la cura dell'acciaio inox

Per conservare l'aspetto esterno in acciaio inox del prodotto Polar, osservare le seguenti indicazioni:

- Non usare mai pagliette di metallo o pagliette abrasive.
- Non usare mai detersivi acidi o clorurati.
- Non lasciare cibi, sporcizia o detersivi chimici sulla superficie più a lungo del necessario: rimuoverli immediatamente.
- Non lasciare la superficie bagnata o umida.
- Pulire frequentemente.
- Utilizzare panni morbidi o pagliette in plastica.
- Strofinare nel verso della satinatura e non al contrario.
- Utilizzare detersivi e lucidanti specifici per la pulizia dell'acciaio inox.
- Assicurarsi di sciacquare completamente i detersivi e che l'acciaio sia lasciato asciutto.

Manutenzione della Guarnizione

Le guarnizioni richiedono una pulizia regolare per prevenire muffa ed il suo accumulo e anche per mantenere l'elasticità della guarnizione.

La pulizia della guarnizione può essere fatta con l'uso di acqua tiepida saponata. Evitare prodotti per la pulizia aggressivi sulle guarnizioni in quanto possono renderle fragili e quindi non prevenire un'adeguata sigillatura. Inoltre, mai usare strumenti affilati o coltelli per graffiare o pulire la guarnizione, tali strumenti potrebbero eventualmente strappare la guarnizione e i soffietti.

Le guarnizioni possono essere sostituite facilmente e non richiedono l'uso di strumenti o personale autorizzato. Le guarnizioni sono in stile a "Dardo" e possono essere estratti dall'incavo della porta e le nuove guarnizioni possono essere "premute" in posizione.

Porte/Cardini

Con il passare del tempo ed un uso intenso, i cardini delle porte potrebbero allentarsi. Se si nota che la porta inizia a cedere, è necessario stringere le viti che sostengono le staffe dei cardini alla struttura dell'unità. Se le porte sono allentate o cedono, questo può causare il cedimento dei cardini dalla struttura e potrebbe danneggiare sia le porte che i cardini delle porte. In alcuni casi questo può richiedere l'intervento di agenti di servizio qualificati o personale per la manutenzione.

Manutenzione del Drenaggio

Ogni unità ha un drenaggio localizzato internamente all'unità che rimuove la condensazione dalla serpentina evaporante ed evapora in una vaschetta dell'evaporatore di condensa esterna. Il drenaggio potrebbe allentarsi o anche disconnettersi spostando o urtando lo scarico.

Se noti un eccessivo accumulo di acqua all'interno dell'unità, assicurati che il tubo di drenaggio sia connesso, dal collocamento dell'evaporatore alla vaschetta dell'evaporatore di condensa.

Se l'acqua è raccolta al di sotto dell'unità, dovresti controllare il tubo di drenaggio dell'evaporatore di condensa per assicurarti che è ancora collocato all'interno della vaschetta di drenaggio.

Il livellamento dell'unità è importante in quanto le unità sono progettate per un corretto drenaggio quando sono a livello della superficie. Se il tuo pavimento non è a livello, questo può anche causare problemi di drenaggio. Assicurati che tutte le linee di drenaggio siano libere da ostruzioni, altrimenti le linee di drenaggio bloccate provocheranno un ristagno e trabocco dell'acqua nelle vaschette di drenaggio.

Risoluzione dei problemi

Se necessario, un tecnico qualificato deve eseguire le riparazioni.

Guasto	Probabile causa	Azione
L'apparecchio non funziona	L'apparecchio non è acceso	Controllare che l'apparecchio sia correttamente collegato e acceso
	La presa e il cavo sono danneggiati	Sostituire la spina o il cavo
	Guasto alimentazione di rete	Controllare l'alimentazione di rete
La temperatura dell'armadio è troppo calda	I portelli non sono chiusi in maniera appropriata	Controllare che i portelli siano chiusi e che le guarnizioni di tenuta non siano danneggiate
	L'apparecchio è posizionato in prossimità di una sorgente di calore oppure il flusso di aria al condensatore è interrotto	Spostare il frigorifero in una posizione più appropriata
	La temperatura ambientale è troppo alta	Aumentare la ventilazione oppure spostare l'apparecchio in una posizione più fresca
	Insufficiente flusso d'aria alle ventole	Rimuovere eventuali blocchi alle ventole
	La temperatura impostata è troppo alta	Imposta una temperatura più bassa
	Livello del refrigerante basso	Consultare un tecnico qualificato
Condensazione sul mobile e/o pavimento	Guarnizione non sigillata bene	Pulire, riparare o sostituire la guarnizione come necessario

Specifiche tecniche

Nota: a causa del nostro continuo programma di ricerca e sviluppo, le specifiche qui riportate possono essere soggette a modifiche senza preavviso.

Modello	Tensione	Alimentazio	Corrente	Intervallo di temperatura	Refrigerante	Dimensioni h x l x p mm	Peso (Kg)
GE632	230V~ 50Hz	150W	1,1A	2°C ~ 8°C	R600a (55g)	1312 x 612 x 810	63
GE633	230V~ 50Hz	250W	1,6A	2°C ~ 8°C	R290 (95g)	1438 x 1247 x 620	97

Cablaggi elettrici

Questa apparecchiatura deve essere collegata a terra.

L'apparecchio ha i seguenti cablaggi:

- Filo sotto tensione (colore marrone) a terminale L
- Filo del neutro (colore blu) a terminale N
- Filo di terra (colore verde/giallo) a terminale E

L'apparecchio deve avere un circuito dedicato di messa a terra.



In caso di dubbi, consultare un elettricista qualificato.

I punti di isolamento elettrico devono essere liberi da ostruzioni. In caso di emergenza, i punti devono essere facilmente raggiungibili qualora sia necessario scollegarli.

Smaltimento

Le normative UE prevedono che lo smaltimento dei prodotti di refrigerazione sia eseguito da aziende specializzate nella rimozione o nel riciclaggio di tutti i gas e dei componenti in metallo e plastica.

Rivolgersi all'ente locale incaricato per informazioni sullo smaltimento di questo apparecchio. Gli enti locali non hanno l'obbligo di procedere allo smaltimento di apparecchi di refrigerazione commerciali ma sono in grado di fornire suggerimenti sulla modalità di smaltimento di tali apparecchi.

In alternativa, chiamare la helpline telefonica di POLAR per ricevere informazioni dettagliate sulle aziende di smaltimento nella UE.

Conformità

Il logo WEEE riportato su questo prodotto o sulla relativa documentazione indica che il prodotto non può essere smaltito come normale rifiuto domestico. Per evitare possibili danni alla salute e/o all'ambiente, il prodotto deve venire smaltito utilizzando una procedura di riciclaggio approvata e sicura per l'ambiente. Per ulteriori informazioni su come smaltire in maniera corretta questo prodotto, contattare il fornitore del prodotto o l'ente locale responsabile per lo smaltimento dei rifiuti.



I componenti POLAR sono stati sottoposti a un rigoroso collaudo ai fini della conformità agli standard e alle specifiche normative previste dalle autorità internazionali, indipendenti e federali.



I prodotti POLAR sono autorizzati a esporre il seguente simbolo:

Tutti i diritti riservati. È vietata la riproduzione o la trasmissione in alcuna forma, elettronica, meccanica, mediante fotocopiatura o altro sistema di riproduzione, di qualsiasi parte delle presenti istruzioni senza la previa autorizzazione scritta di POLAR.

Le informazioni contenute sono corrette e accurate al momento della stampa, tuttavia POLAR si riserva il diritto di modificare le specifiche senza preavviso.

Consejos de Seguridad

- Colóquela sobre una superficie plana, estable.
- Un agente de servicio / técnico cualificado debería llevar a cabo la instalación y cualquier reparación si se precisa. No retire ningún componente ni panel de servicio de este producto.
- Consulte las Normas Locales y Nacionales correspondientes a lo siguiente:
 - Legislación de Seguridad e Higiene en el Trabajo
 - Códigos de Práctica BS EN
 - Precauciones contra Incendios
 - Normativos de Cableado de la IEE
 - Normativas de Construcción
- No utilice dispositivos de lavado de chorro / presión para limpiar el aparato.
- Sólo adecuado para uso en interiores.
- NO guarde alimentos en el aparato.
- NO utilice este aparato para almacenar existencias médicas.
- NO deje que el aceite o la grasa entren en contacto con los componentes de plástico o la junta de la puerta. Limpie el aparato inmediatamente si se produce contacto.
- Siempre debe transportar, almacenar y manipular el aparato verticalmente y moverlo cogiéndolo de la base.
- Desconecte la máquina y desenchúfela del suministro eléctrico de la unidad siempre antes de llevar a cabo la limpieza.
- Mantenga el embalaje lejos del alcance de los niños. Deshágase del embalaje de acuerdo con las normativas de las autoridades locales.
- Si el cable eléctrico está dañado, debe ser reemplazado por un agente de POLAR o un técnico cualificado recomendado para evitar cualquier riesgo.
- Los niños no deben jugar con el aparato.
- Limpieza y mantenimiento de usuarios, no podrán ser realizadas por los niños sin supervisión.

- Este producto puede ser usado por niños mayores de 8 años solo si lo hacen bajo supervisión o instrucción acerca del uso del producto de manera segura, comprendiendo los riesgos involucrados.
- Mantenga el aparato y su cable fuera del alcance de niños de menos de 8 años.
- El aparato no está diseñado para ser operado por medio de un temporizador externo o sistema de control remoto separado.
- Polar recomienda que este aparato debe ser periódicamente probado (al menos anualmente) por una Persona Competente. La prueba debe incluir, pero no debe estar limitado a: Inspección visual, Prueba de polaridad, Toma a tierra (equipo de Clase I), continuidad de aislamiento y prueba Funcional.

Precaución: Riesgo de Incendio



- No guarde sustancias explosivas, tales como latas de aerosol con un propelente inflamable en este aparato.



Advertencia: Mantenga los orificios de ventilación libres de obstrucciones. Asegúrese de que la unidad disponga de una ventilación adecuada.

- **Advertencia:** No utilice dispositivos mecánicos u otros medios para acelerar el proceso de descongelación, que no sea el fabricante recomienda Aquellos por.
- **Advertencia:** No dañe el circuito refrigerante.
- **Advertencia:** No utilice aparatos eléctricos dentro de los compartimentos de almacenamiento de alimentos del aparato.

Descripción del Producto

GE632 - Dispensador de cerveza de extracción directa (1 barril 1 grifo)

GE633 - Dispensador de cerveza de extracción directa (2 barriles 2 grifos)

Introducción

Tómese unos minutos para leer este manual. El correcto mantenimiento y manejo de esta máquina proporcionará el mejor funcionamiento posible de su producto POLAR.

Contenido del Conjunto

Se incluye lo siguiente:

- Dispensador de cerveza
- Bandeja colectora
- Conjunto de la torre de cerveza
- Tubo de CO2
- Junta para los tubos de CO2
- Tornillos y arandelas
- Llave multifuncional
- Manual de instrucciones

POLAR se enorgullece de su calidad y servicio y asegura que en el momento del embalaje, el contenido se suministró con plena funcionalidad y sin ningún defecto.

Si encontrara algún daño resultante del transporte, póngase en contacto inmediatamente con su distribuidor POLAR.

Instalación

Nota: No debe utilizarse en furgonetas o remolques, camiones de alimentos o vehículos similares.

Nota: Si el aparato no se ha almacenado o transportado en posición vertical, déjelo en posición vertical durante aproximadamente 12 horas antes del funcionamiento. Si tiene alguna duda, deje el aparato en posición vertical.

1. Desembale el aparato. Asegúrese de que todos los revestimientos y las láminas de plástico de protección se hayan quitado totalmente de todas las superficies.
2. Para optimizar el rendimiento y la longevidad, asegúrese de que se mantenga un espacio libre mínimo de 2,5 cm entre la unidad y las paredes y otros objetos, con un espacio mínimo de 20 cm en la parte superior. **NUNCA UBICAR AL LADO DE UNA FUENTE DE CALOR.**

Nota: Antes de utilizar el aparato por primera vez, limpie el interior con agua jabonosa y luego séquelo bien.

Ubicación

- El aparato está fabricado para uso interior exclusivamente.
- Asegúrese de que el suelo de la ubicación escogida es lo suficientemente resistente para soportar el peso total del armario y su contenido. Una unidad con su carga completa puede pesar hasta 450kg. Refuerce el suelo si es necesario para proporcionar la carga máxima.
- Para una refrigeración lo más eficiente posible, asegúrese de que haya una buena circulación del aire tanto dentro como fuera.

Ventilación

- Asegúrese de que la unidad tiene acceso a suficiente cantidad de aire. Evite rincones de calor y ubicaciones cerca de estufas y hornos.
- Si fuera necesario tumbar la unidad y apoyarla de un lado o de la parte trasera por algún motivo, deje al menos 12 horas de tiempo antes de volverla a conectar para que el aceite del compresor fluya de nuevo hasta el cárter. De no hacerlo así, podría causar errores en el compresor y daños en la unidad.

Nivelación

- Un armario nivelado funcionará mejor porque las puertas estarán alineadas correctamente con los marcos, el armario no estará sujeto a una presión excesiva y el contenido del interior del armario no se moverá de un lado a otro.
- Use un nivelador para asegurarse de que la unidad está nivelada desde la parte delantera hasta la trasera y de un lado al otro.
- Las unidades que estén equipadas con patas tendrán unos pies de bala ajustables para hacer los ajustes necesarios. Si la unidad está equipada con ruedecitas, coloque los frenos en las ruedecitas para mantener el equipo en su posición.
- Asegúrese de que el suelo donde se coloca la unidad esté nivelado.

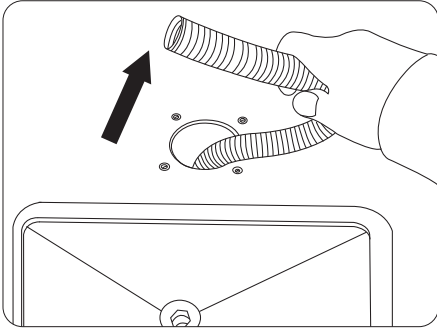


Precaución:
El incumplimiento de todas las instrucciones de instalación debidas invalidará su garantía.

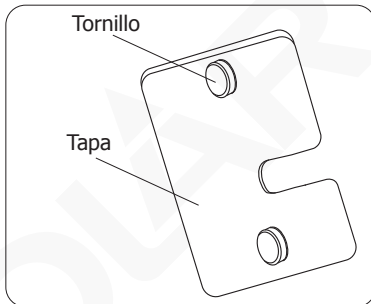
Conexión

Conexión de la torre de cerveza

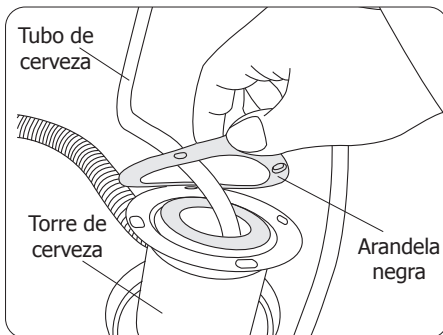
1. Retire la manguera del conducto de aire del agujero que hay en la superficie del armario.



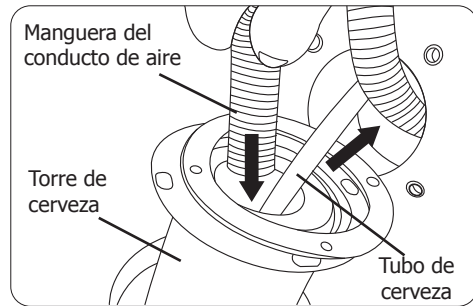
2. Desenrosque los 2 tornillos para soltar la tapa, situada en la superficie interior del armario.



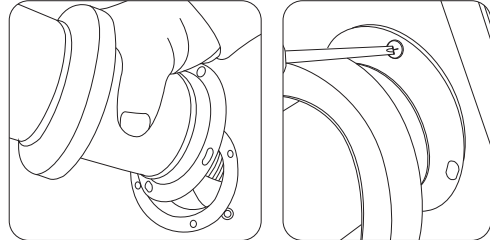
3. Rosque la arandela negra y grande a través del tubo de cerveza, que proviene de la torre de cerveza.



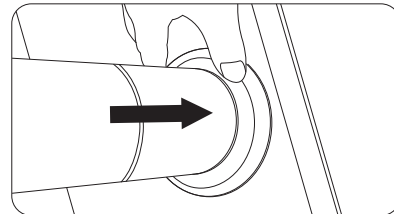
4. Introduzca el tubo de cerveza en el armario por el agujero. A continuación, introduzca la manguera del conducto de aire en la torre de cerveza.



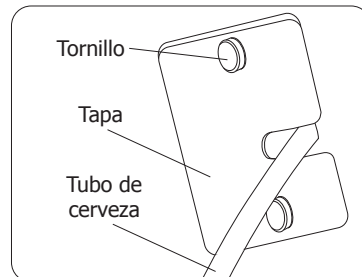
5. Nivela todos los agujeros y coloque los 4 tornillos para fijar la torre de cerveza en su sitio.



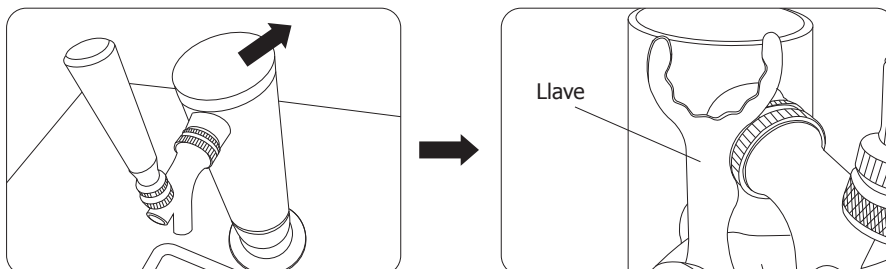
6. Deslice la pantalla de la torre de cerveza completamente hacia abajo.



7. Vuelva a unir y fijar la tapa en la superficie interior del armario con tornillos.



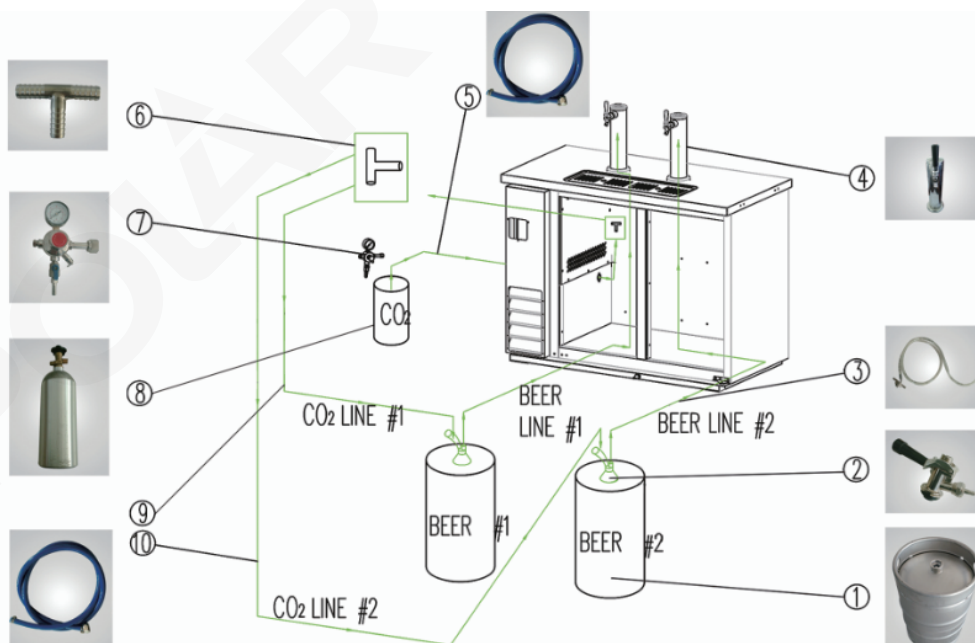
8. En caso de que la torre de cerveza no sea estable, puede ajustar el grifo según sea necesario. Primero, abra el tapón superior de la torre de cerveza. A continuación, use la llave que le facilitamos para ajustar el grifo.



Conexión del cilindro CO2 con el barril de cerveza



Aviso: El dibujo de más abajo solo sirve como referencia. Para conexiones reales, por favor, siga las instrucciones del fabricante que encontrará en el cilindro de CO2 y el barril de cerveza. Todas las conexiones deben ser realizadas solo por profesionales. Coloque el cilindro de CO2 y el barril de cerveza en el armario con mucho cuidado para evitar daños.



1. Barril de cerveza (No suministrado)
2. Grifo del barril
3. Tubo de cerveza
4. Torre de cerveza
5. Tubo de CO2

6. Junta para los tubos de CO2
7. Regulador de CO2 (No suministrado)
8. Cilindro de CO2 (No suministrado)
9. Tubo de CO2 (#1)
10. Tubo de CO2 (#2)

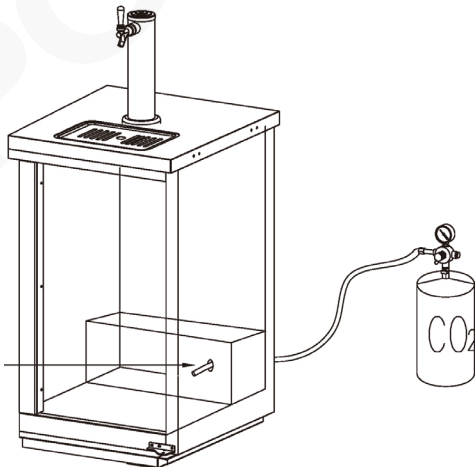


Advertencia:

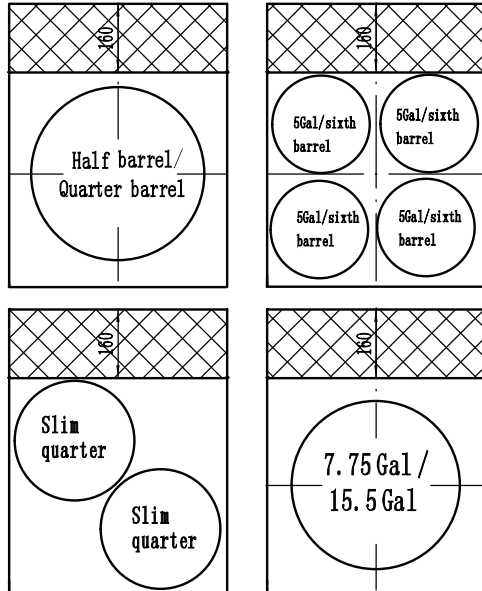
- Asegúrese de que todos los accesorios del sistema están bien ajustados. Mantenga siempre el cilindro de CO2 en posición vertical. La presión recomendada para el sistema de CO2 es 8-10 psi.
- Sujete siempre el cilindro de CO2 con mucho cuidado. ¡Nunca lo deje plano ni lo tire!
- Sujete todos los componentes del sistema a presión con cuidado. No emplee demasiada presión. Asegúrese de entender correctamente las instrucciones. Si tiene cualquier duda, contacte con su agente/distribuidor para una mejor explicación.
- Los cilindros de CO2 rellenos pueden ser muy peligrosos porque contienen presión. Si no conoce muy bien su funcionamiento o el funcionamiento del regulador de CO2, pídale información a su distribuidor local o a la persona encargada de bebidas antes de realizar ninguna acción.



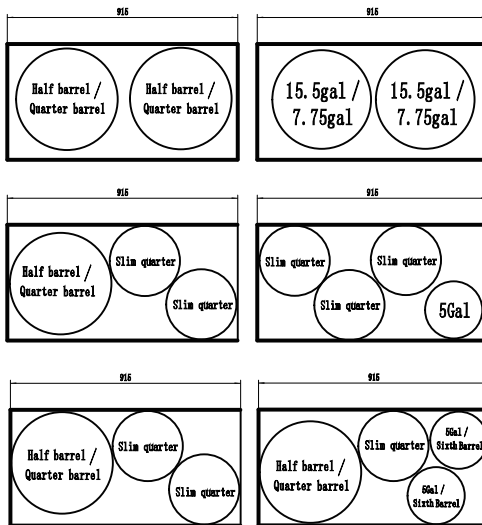
Cuando sea necesario conectar un cilindro de CO2 remoto, consulte como referencia el dibujo de más abajo. Para conexiones reales, asegúrese de seguir las instrucciones del fabricante que encontrará en el cilindro de CO2.



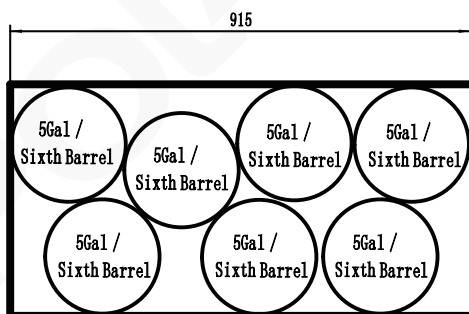
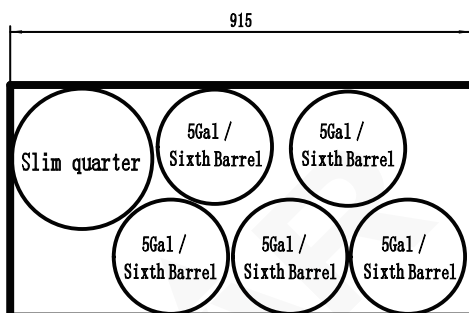
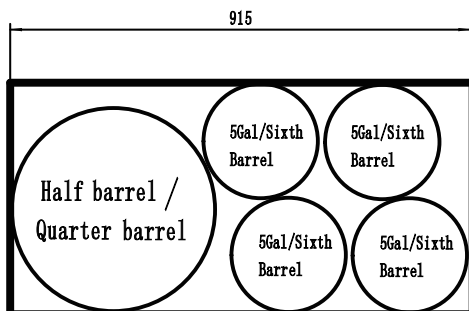
Disposición del barril de cerveza: Modelo GE632



Disposición del barril de cerveza: Modelo GE633



Disposición del barril de cerveza: Modelo GE633

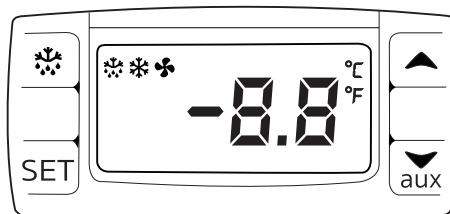


Funcionamiento

Panel de Control

Para GE632: El panel de control está situado en la pared trasera de dentro del armario.

Para GE633: El panel de control se encuentra en el frontal del aparato.



Para desbloquear / bloquear el teclado pulse ▲ y ▼ juntos por 3 segundos. La pantalla parpadeará PON (desbloqueado) / POF (bloqueado).

Encender

1. Cerrar la puerta del aparato.
2. Conecte el aparato a una red eléctrica.

Ajuste de la Temperatura de Funcionamiento

1. Mantenga presionado el botón **SET** durante 3 segundos. Se mostrará el valor del punto de ajuste actual.
2. Pulse el botón ▲ o los botones ▼ para visualizar la temperatura deseada.
3. Pulse el botón **SET** para fijar la temperatura.

Descongelación Manual

Pulse y mantenga pulsado el botón ❄️ durante 2 segundos para que empiece la descongelación. La luz de descongelación se iluminará.

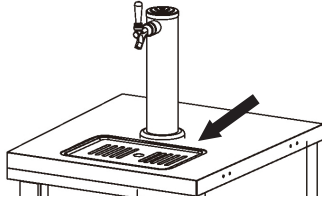
El ciclo de descongelación finalizará automáticamente.

Cerrar / Abrir las puertas con llave

Utilice las llaves suministradas para abrir / cerrar la puerta.

Servicio

- Antes de dispensar la cerveza, asegúrese de colocar la bandeja o bandejas colectoras en su sitio.



- Tire del grifo hacia usted para empezar a verter la cerveza.
- Levante el asa del grifo para cerrar el grifo.

Limpieza, Cuidado y Mantenimiento



Apague el equipo y desconéctelo de la fuente de alimentación antes de realizar tareas de limpieza y mantenimiento.

- Para limpiar, se recomienda usar agua caliente y enjabonada. Los productos de limpieza pueden dejar residuos dañinos. Pase un paño húmedo por la superficie exterior.
- Vacíe y limpie las bandejas colectoras con frecuencia.
- Un agente de POLAR o técnico cualificado pueden realizar reparaciones si es necesario.

Limpieza del armario

El interior y el exterior del armario se pueden limpiar con agua caliente y enjabonada. Si esto no fuera suficiente, puede usar amoníaco y agua, o un limpiador líquido no abrasivo. Cuando limpie la parte exterior, frote siempre con el "grano" del acero inoxidable para evitar que se estropee el acabado.

No use limpiadores abrasivos porque rayarían el acero inoxidable y el plástico, y podrían dañar las cintas y juntas de los interruptores.

Limpieza del muelle condensador

El muelle condensador requiere una limpieza regular, siendo la frecuencia recomendada cada 90 días. En algunos casos, podría encontrar una gran cantidad de restos y polvo o grasa acumulados antes del período de 90 días. De ser así, el muelle condensador se deberá limpiar con más frecuencia.

Si la acumulación en el muelle es solo un poco de polvo y restos, el muelle condensador se puede limpiar con un cepillo simple. Una acumulación de polvo más notable podría requerir el uso de aspiradora o incluso de aire comprimido a través del muelle condensador.

Si encuentra grasa más difícil, hay productos desengrasantes para uso refrigerado y concretamente para muelles condensadores. Podría ser necesario el uso de un producto desengrasante y, a continuación, de aire comprimido a través del muelle.

Si no se consigue mantener limpio el muelle condensador, podría causar un aumento de la temperatura y un exceso de tiempo de funcionamiento. Un uso continuado con muelles condensadores sucios o obstruidos puede causar errores en el compresor.

El incumplimiento de los procesos de limpieza del muelle condensador dejaría sin validez cualquier garantía asociada al compresor, o al coste para reparar el compresor.

Para mantener un correcto funcionamiento de refrigeración, los estabilizadores del condensador deben estar limpios de polvo, suciedad y grasa de forma regular. Se recomienda que se realice como mínimo cada 3 meses. En caso de que el condensador esté completamente bloqueado, la frecuencia de limpieza deberá incrementarse. Limpie el condensador con una aspiradora o un cepillo duro. Si está extremadamente sucio, será necesario un limpiador de condensador disponible en el mercado.

Cuidado del acero inoxidable

Para mantener el exterior del acero inoxidable de su unidad Polar, por favor, considere la siguiente información:

Nunca:

- Utilice estropajos o esponjas de fregar abrasivas, etc.
- Utilice detergentes clorados o ácidos
- Deje nada, por ejemplo, sustancias químicas de limpieza, suciedad o comida sobre la superficie durante más tiempo de lo necesario. Límpielos inmediatamente.
- Deje que la superficie permanezca húmeda.

Siempre:

- Limpie con frecuencia.
- Utilice paños suaves o estropajos plásticos.
- Frote con la textura granular del metal más que a través de la misma.
- Utilice detergentes y ceras diseñados para la limpieza de acero inoxidable.
- Asegúrese de que los productos de limpieza se quiten por completo lavando y que el acero quede seco.

Mantenimiento de las juntas

Las juntas requieren una limpieza regular para prevenir la acumulación de hongos y moho, así como para mantener la elasticidad de las mismas.

La limpieza de las juntas se puede realizar con agua caliente y enjabonada. Evite productos de limpieza de plena capacidad en las juntas, ya que podría debilitarlas e impedir que sellen correctamente. Además, nunca use herramientas afiladas o cuchillos para raspar o limpiar las juntas, ya que podrían desgarrar la junta y romper los fuelles.

Las juntas se pueden reemplazar fácilmente y no requieren de herramientas o personal técnico autorizado. Las juntas son de estilo "Dardo", se pueden quitar de la ranura en la puerta, y colocar juntas nuevas a "presión" en el mismo lugar.

Puertas/Bisagras

Con el paso del tiempo y un uso intensivo, las puertas y las bisagras pueden ir aflojándose. Si observa que la puerta empieza a caerse, puede que sea necesario reforzar los tornillos que sujetan los soportes de la bisagra al marco de la unidad. Si las puertas están sueltas o cayéndose, las bisagras podrían salir del marco, pudiendo dañar tanto las puertas como sus bisagras. En algunos casos, podría ser necesaria la ayuda de personal del servicio técnico cualificado o de mantenimiento.

Mantenimiento del desagüe

Cada unidad tiene un desagüe dentro de la unidad que retira la condensación del serpentín del evaporador y que lo evapora en una bandeja evaporadora de condensación externa. El desagüe puede aflojarse o incluso desconectarse, por el movimiento o los golpes al mismo.

Si observa que hay una acumulación de agua excesiva en el interior de la unidad, asegúrese de que el tubo del desagüe está conectado desde la cubierta del evaporador hasta la bandeja del desagüe del evaporador de condensación.

Si el agua es recogida en la parte baja de la unidad, tal vez tenga que revisar que el tubo del desagüe del evaporador de condensación sigue situado dentro de la bandeja del desagüe.

La nivelación de la unidad es importante ya que las unidades están diseñadas para drenar adecuadamente en una superficie llana. Si su suelo no está nivelado, podría también causar problemas de drenaje. Asegúrese de que los tubos del desagüe no tienen obstrucciones, ya que unos tubos de desagüe bloqueados harían que el agua retrocediese y que las bandejas del desagüe se desbordasen.

Resolución de problemas

Un técnico calificado debe realizar las reparaciones si es necesario.

Fallo	Causa probable	Acción
El aparato no funciona	El aparato no está conectado	Compruebe que el aparato esté enchufado correctamente y conectado
	El enchufe y el cable están dañados	Reemplace el enchufe o el cable
	Fallo de la fuente de alimentación de red	Compruebe la fuente de alimentación de red
La temperatura del gabinete es demasiado cálida	Las puertas no están bien cerradas	Compruebe que las puertas estén cerradas y las juntas no estén dañadas
	El aparato se encuentra cerca de una fuente de calor o el caudal de aire hacia el condensador está siendo interrumpido	Traslade el frigorífico a un lugar más adecuado
	La temperatura ambiente es demasiado alta	Aumente la ventilación o traslade el aparato a un lugar más fresco
	Flujo de aire insuficiente en los ventiladores	Elimina cualquier bloqueo de los ventiladores
	La temperatura establecida es demasiado alta	Establecer una temperatura más baja
	Nivel de refrigerante bajo	Consulte a un técnico cualificado
Condensación en el armario y/o suelo	Junta mal sellada	Limpie, repare o reemplace la junta según sea necesario

Especificaciones Técnicas

Nota: Debido a nuestro continuo programa de investigación y desarrollo, las especificaciones aquí expuestas pueden estar sujetas a cambios sin previo aviso.

Modelo	Tensión	Potencia	Potencia	Margen de Temperaturas	Refrigerante	Dimensiones a x a x p mm	Peso (Kg)
GE632	230V~ 50Hz	150W	1,1A	2°C ~ 8°C	R600a (55g)	1312 x 612 x 810	63
GE633	230V~ 50Hz	250W	1,6A	2°C ~ 8°C	R290 (95g)	1438 x 1247 x 620	97

Cableado Eléctrico

El enchufe tiene que conectarse a una toma eléctrica adecuada.

Este aparato debe conectarse a una toma de tierra.

- Cable cargado (de color marrón) al terminal marcado como L
- Cable neutro (de color azul) al terminal marcado como N
- Cable de tierra (de color verde / amarillo) al terminal marcado como E

Este aparato debe conectarse a una toma de tierra.



Si tiene alguna duda, consulte a un electricista cualificado.

Los puntos de aislamiento eléctrico deben mantenerse libres de cualquier obstrucción. En caso de precisarse una desconexión de emergencia, deben estar disponibles de forma inmediata.

Desecho

Las normativas de la UE requieren que los productos de refrigeración sean desechados por compañías especializadas que extraigan o reciclen todos los gases, componentes metálicos y de plástico.

Consulte a su autoridad local de recogida de residuos a la hora de desechar su aparato. Las autoridades locales no están obligadas a eliminar los equipos de refrigeración comerciales pero pueden ofrecer consejo sobre cómo desechar los equipos localmente.

Otra opción es llamar a la línea de asistencia de POLAR para pedir información sobre las compañías nacionales de desechos de la UE.

Cumplimiento

El logotipo WEEE en este producto o su documentación indica que no debe eliminarse como un residuo doméstico. Para ayudar a prevenir posibles daños a la salud humana y/ o el medio ambiente, el producto debe eliminarse en un proceso de reciclaje aprobado y medioambientalmente seguro. Para obtener más información sobre cómo eliminar correctamente este producto, póngase en contacto con el proveedor del mismo o la autoridad local responsable de la eliminación de residuos en su zona.



Las piezas POLAR han pasado estrictas pruebas de productos para cumplir las especificaciones y normas reguladoras establecidas por las autoridades internacionales, independientes y federales.



Los productos POLAR han sido autorizados para llevar el símbolo siguiente:

Reservados todos los derechos. Puede estar prohibida la reproducción o transmisión en cualquier forma o por cualquier medio electrónico, mecánico, de fotocopiado, registro o de otro tipo, de cualquier parte de estas instrucciones sin la autorización previa y por escrito de POLAR.

Se ha hecho todo lo posible para garantizar que todos los datos son correctos en el momento de su publicación; sin embargo, POLAR se reserva el derecho a modificar las especificaciones sin que medie notificación previa.

DECLARATION OF CONFORMITY

• Conformance Declaration • Déclaration de conformité • Konformitätserklärung • Dichiarazione di conformità • Declaración de conformidad

Equipment Type • Uitrustingstype • Type d'équipement • Gerätetyp • Tipo di apparecchiatura • Tipo de equipo	Model • Modèle • Modell • Modello • Modelo
G-series Direct Draw Keg Beer Dispenser Single G-series Direct Draw Keg Beer Dispenser Double	GE632 (E&-A) GE633 (E&-A)
Application of Territory Legislation & Council Directives(s) Toepassing van Europese Richtlijn(en) • Application de la/des directive(s) du Conseil • Anwendbare EU-Richtlinie(n) • Applicazione delle Direttive • Aplicación de la(s) directiva(s) del consejo	<p>Machinery Directive 2006/42/EC Supply of Machinery (Safety) Regulations 2008 (BS) EN 60335-1:2012 +A11:2014 +A13:2017 +A1:2019 +A14:2019 +A2:2019 (BS) EN 60335-2-89:2010 +A1:2016 +A2:2017 (BS) EN 62233:2008</p> <p>Electro-Magnetic Compatibility (EMC) Directive 2014/30/EU - recast of 2004/108/EC Electromagnetic Compatibility Regulations 2016 (S.I. 2016/1091) (BS) EN IEC 55014-1:2021 (BS) EN IEC 55014-2:2021 (BS) EN IEC 61000-3-2: 2019 +A1:2021 (BS) EN 61000-3-3: 2013 +A1:2019 +A2:2021</p> <p>Eco-design energy-related products Directive 2009/125/EC; Regulation (EU) 2015/1095 - Ecodesign professional refrigerators (BS) EN 16825: 2016</p> <p>Restriction of Hazardous Substances Directive (RoHS) 2015/863 amending Annex II to Directive 2011/65/EU Restriction of the Use of Certain Hazardous Substances in Electrical and Electronic Equipment Regulations 2012 (S.I. 2012/3032)</p>
Producer Name • Naam fabrikant • Nom du producteur • Name des Herstellers • Nome del produttore • Nombre del fabricante	Polar

I, the undersigned, hereby declare that the equipment specified above conforms to the above Territory Legislation, Directive(s) and Standard(s).

Ik, de ondergetekende, verklaar hierbij dat de hierboven gespecificeerde uitrusting goedgekeurd is volgens de bovenstaande Richtlijn(en) en Standaard(en).

Je soussigné, confirme la conformité de l'équipement cité dans la présente à la / aux Directive(s) et Norme(s) ci-dessus

Ich, der/die Unterzeichnende, erkläre hiermit, dass das oben angegebene Gerät der/den oben angeführten Richtlinie(n) und Norm(en) entspricht.

Il sottoscritto dichiara che l'apparecchiatura di sopra specificata è conforme alle Direttive e agli Standard sopra riportati.

El abajo firmante declara por la presente que el equipo arriba especificado está en conformidad con la(s) directiva(s) y estándar(es) arriba mencionadas.

Date • Data • Date • Datum • Data • Fecha

Signature • Handtekening • Signature • Unterschrift Firma • Firma

Full Name • Volledige naam • Nom et prénom • Vollständiger Name • Nome completo • Nombre completo

Position • Functie • Fonction • Position • Qualifica • Posición

Producer Address • Adres fabrikant • Adresse du producteur • Anschrift des Herstellers • Indirizzo del produttore • Dirección del fabricante

19th May 2023

DocuSigned by: <i>Ashley Hooper</i> B39382C9F09C478...	DocuSigned by: <i>Eoghan Donnellan</i> D352874F7FAB460...	DocuSigned by: <i>Brendan Denmeade</i> D052C5837EB7465...
Ashley Hooper	Eoghan Donnellan	Brendan Denmeade
Technical & Quality Manager	Commercial Manager/ Importer	Commercial Manager/ Responsible Supplier
Fourth Way, Avonmouth, Bristol, BS11 8TB United Kingdom	Unit 9003, Blarney Business Park, Blarney, Co. Cork Ireland	15 Bagdally Road, Campbelltown NSW 2560





UK	+44 (0)845 146 2887
Eire	
NL	040 – 2628080
FR	01 60 34 28 80
BE-NL	0800-29129
BE-FR	0800-29229
DE	0800 – 1860806
IT	N/A
ES	901-100 133

POLAR



<http://www.polar-refrigerator.com/> 

GE632-GE633_ML_A5_v2_2023/06/19